

ADROIT6200 pressure connector options



Pressure connectors are not normally a big issue for customers; it is normally just a matter of the customer being able to source the mating connector easily hence the regional nature.

- Euro centric, Customers normally use G1/4 female
- US centric, Customers normally use 1/4 NPT
- The automotive industry like 7/16 UNF

Chinese and Eastern Europe like Metric threads M12 and M20

At high pressures (over 70 bar) we would recommend (and most customers prefer) larger, stronger threads, G1/4 and 1/4 NPT are offered for these reasons.

Other specialist applications require connectors; we have included many of the common ones as standard.

In this document we have the outline dimensions of the pressure connector options. For any other requirement please consult with the application engineer team who can advise on whether your request is available or can be made available.

The pressure connectors are listed below: -

PA – G1/4 Female

PT – G1/4 Male Flat Long

PB – G1/4 Male Flat

P33 – 7/16-20 UNJF Female

PC – G1/4 Male 60° Int Cone

RA- 1/4 VCR Female

PE – 1/4 NPT Female

RC – G1/4 Male Flat-Cross Bore

PF – 1/4 NPT Male

RF – 1/4 VCR Male

PG – 1/8 NPT Male

RQ – NW16 Flange

PJ – M14 x 1.5 60° Int Cone

P14 – M8 x 1 Male

PK – M12 x 1 Int. Cone

P60- M12 x 1.5 Int. Cone

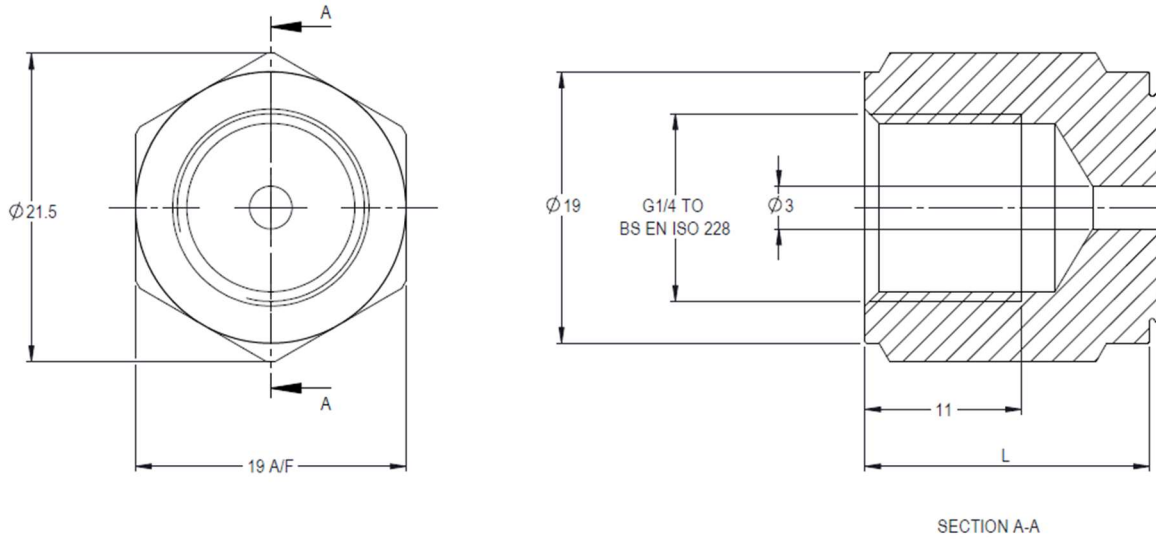
P22 – 7/16-20 UNJF Male 74° Ext

P61- G1/4 Female with Wire Lock

PS – 1/4 Swagelok Bulkhead

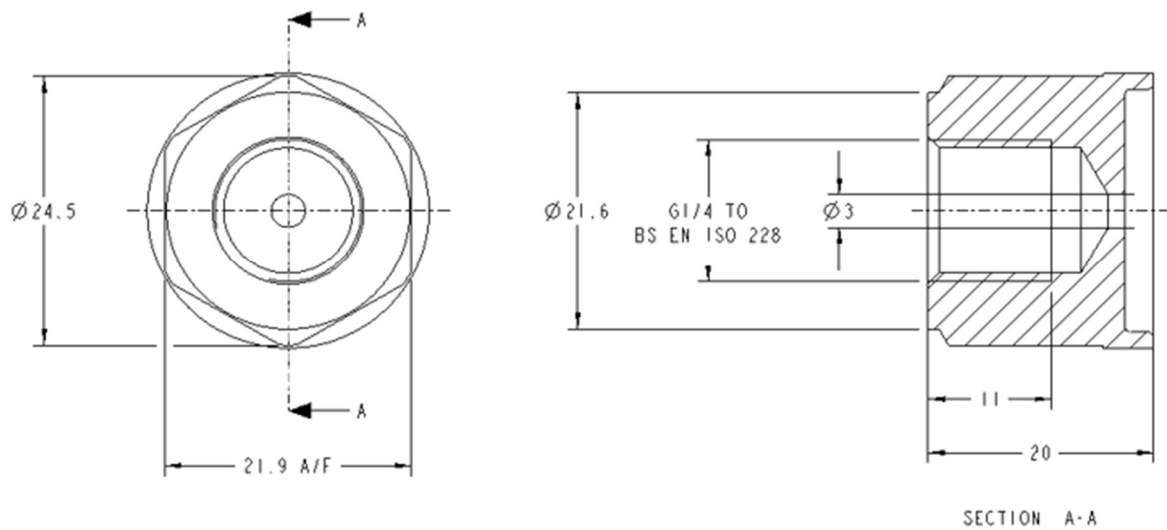
RZ- 1/4-28 UNF LG THD 58° Cone

PA – G1/4 Female



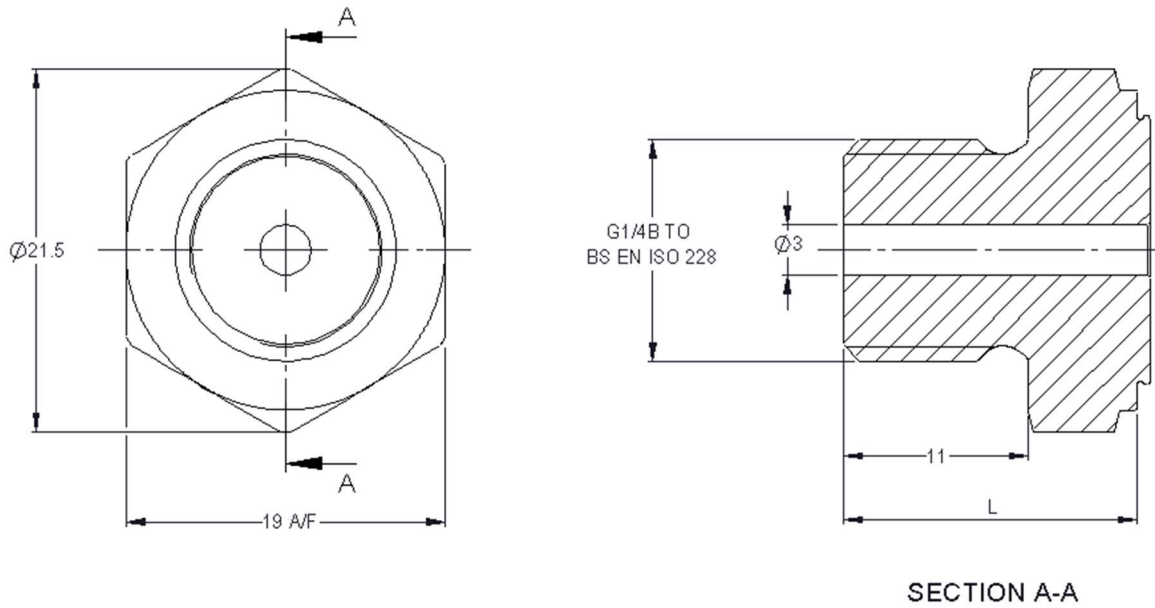
Pressure Connector- Low/Medium/High Pressure

Part No.	Length 'L' (mm)	Pressure Ranges
142M9312-1	20	Low Pressure: ≤10bar
142M9691-1	21	Medium Pressure: >10bar & ≤350bar
227-240	See view	Differential: ≤35bar



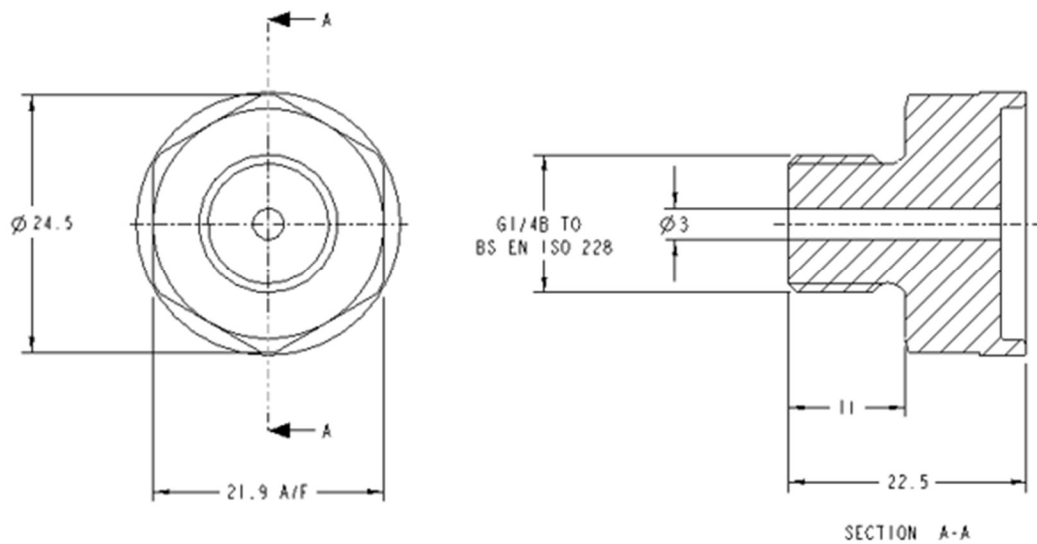
Pressure Connector- Differential

PB – G1/4 Male Flat



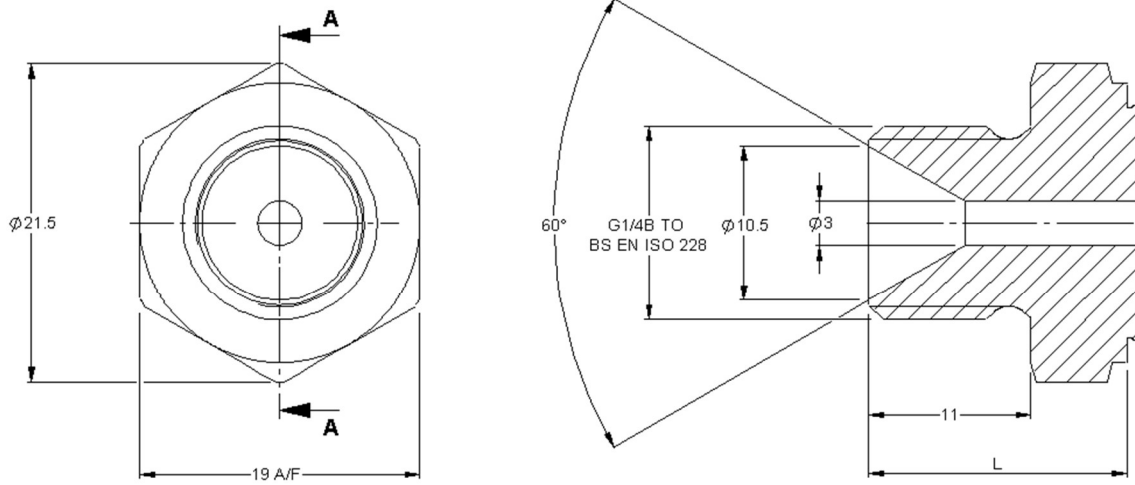
Pressure Connector- Low/Medium/High Pressure

Part No.	Length 'L' (mm)	Pressure Ranges
143M0220-1	17.5	Low Pressure: ≤10bar
143M1029-1	17.5	Medium Pressure: >10bar & ≤350bar
227-229	See view	Differential: ≤35bar



Pressure Connector- Differential

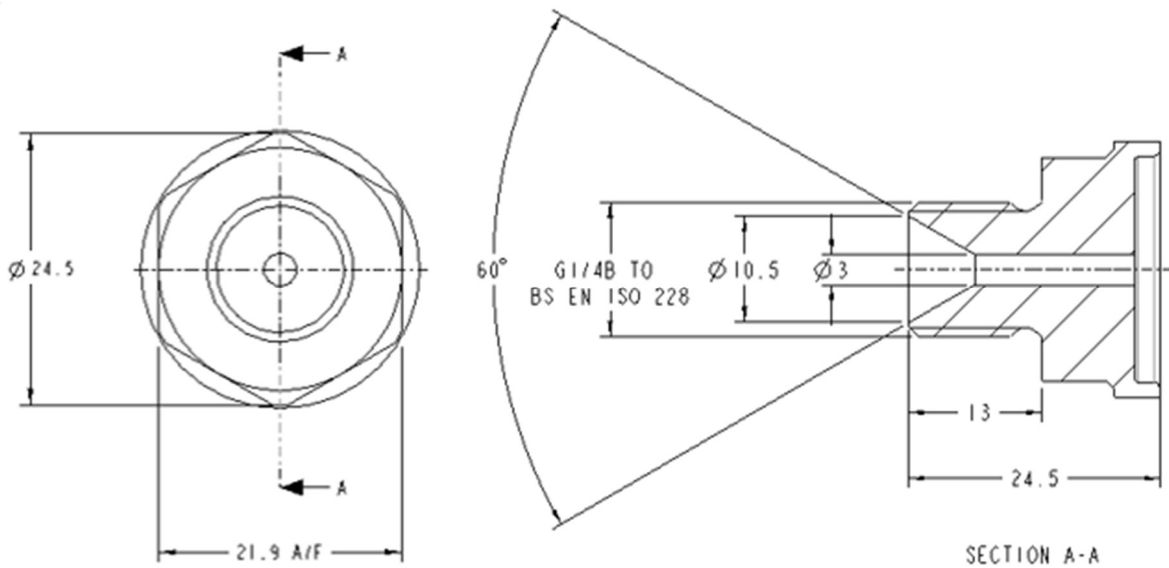
PC – G1/4 Male 60° Int Cone



SECTION A-A

Pressure Connector- Low/Medium Pressure

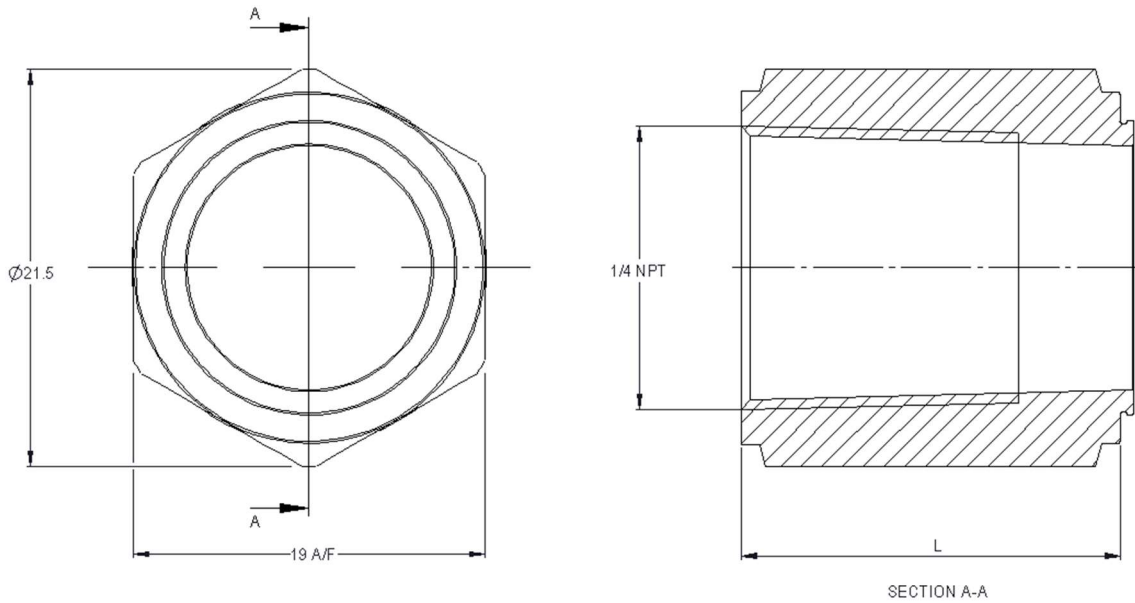
Part No.	Length 'L' (mm)	Pressure Ranges
159M1846-1	17.5	Low Pressure: ≤10bar
145M1952-1	17.5	Medium Pressure: >10bar & ≤350bar
227-232	See view	Differential: ≤35bar



SECTION A-A

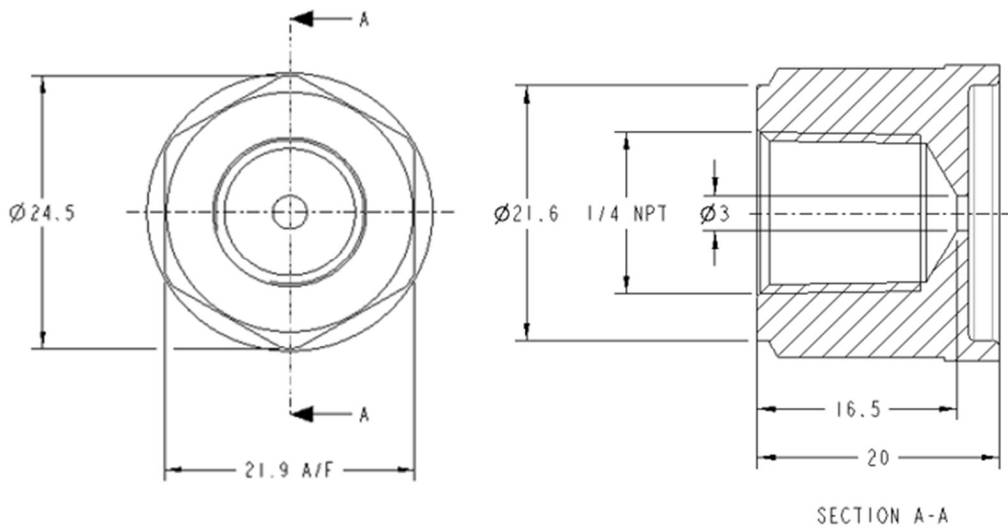
Pressure Connector- Differential

PE – 1/4 NPT Female



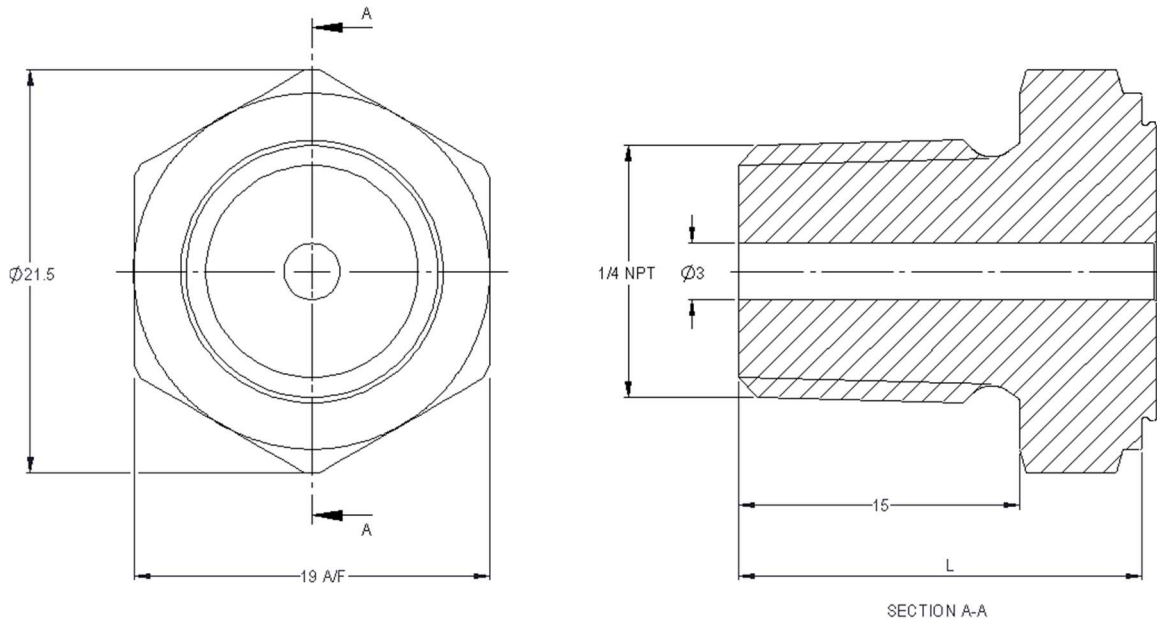
Pressure Connector- Low/Medium/High Pressure

Part No.	Length 'L' (mm)	Pressure Ranges
145M1963-1	20.5	Low Pressure: ≤10bar
145M1962-1	20.5	Medium Pressure: >10bar & ≤350bar
227-241	See view	Differential: ≤35bar



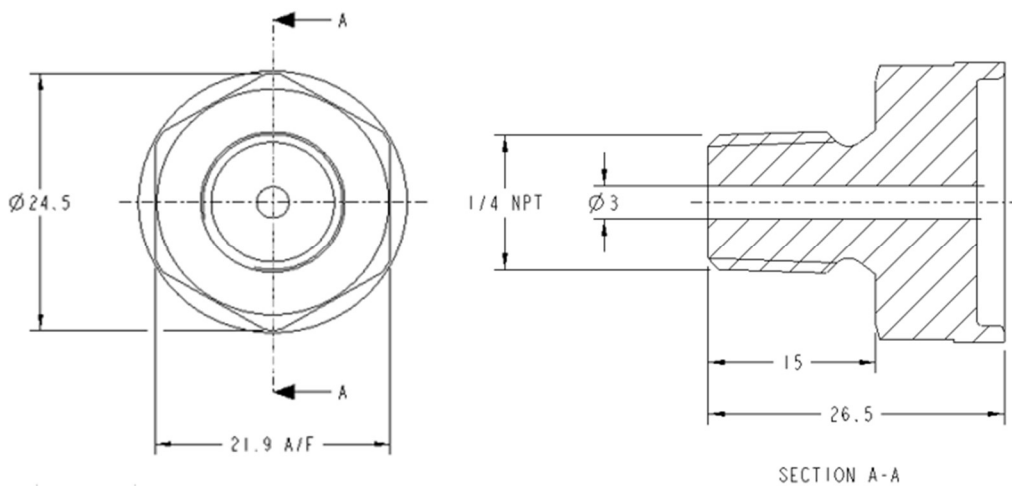
Pressure Connector- Differential

PF – 1/4 NPT Male



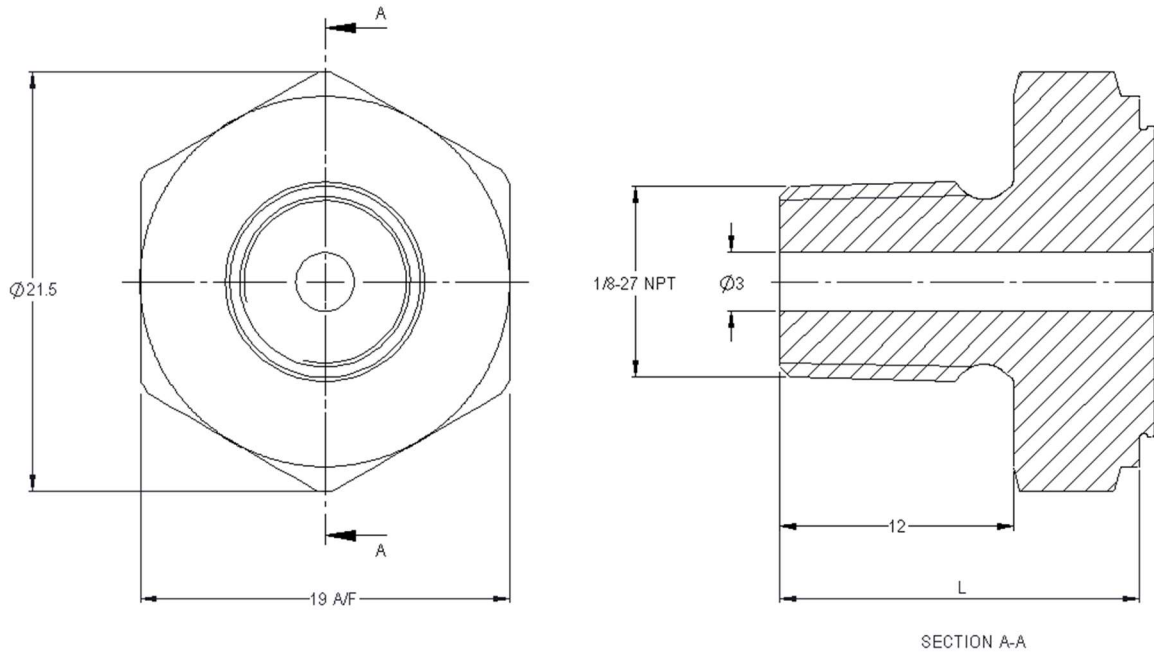
Pressure Connector- Low/Medium/High Pressure

Part No.	Length 'L' (mm)	Pressure Ranges
145M1966-1	21.5	Low Pressure: ≤10bar
145M1965-1	22	Medium Pressure: >10bar & ≤350bar
227-233	See view	Differential: ≤35bar



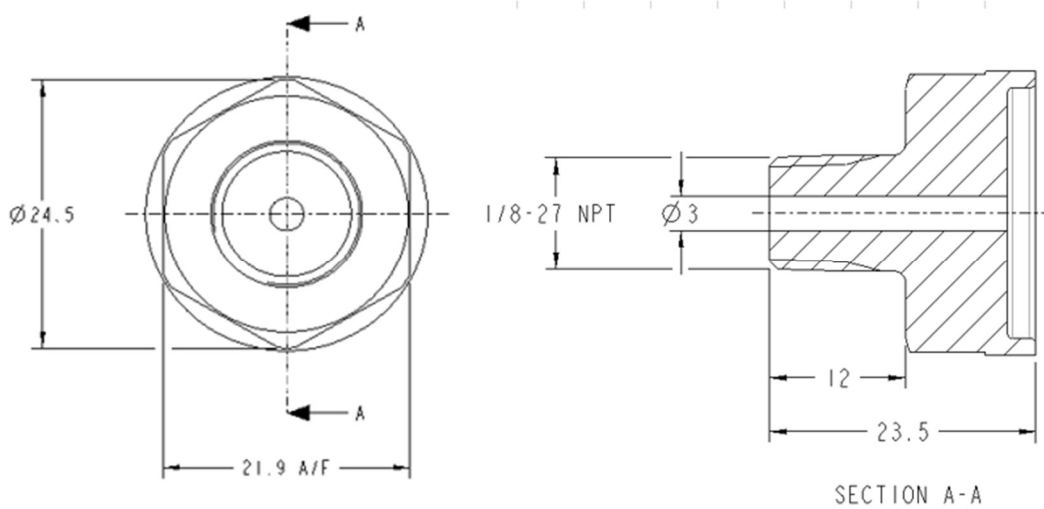
Pressure Connector- Differential

PG – 1/8 NPT Male



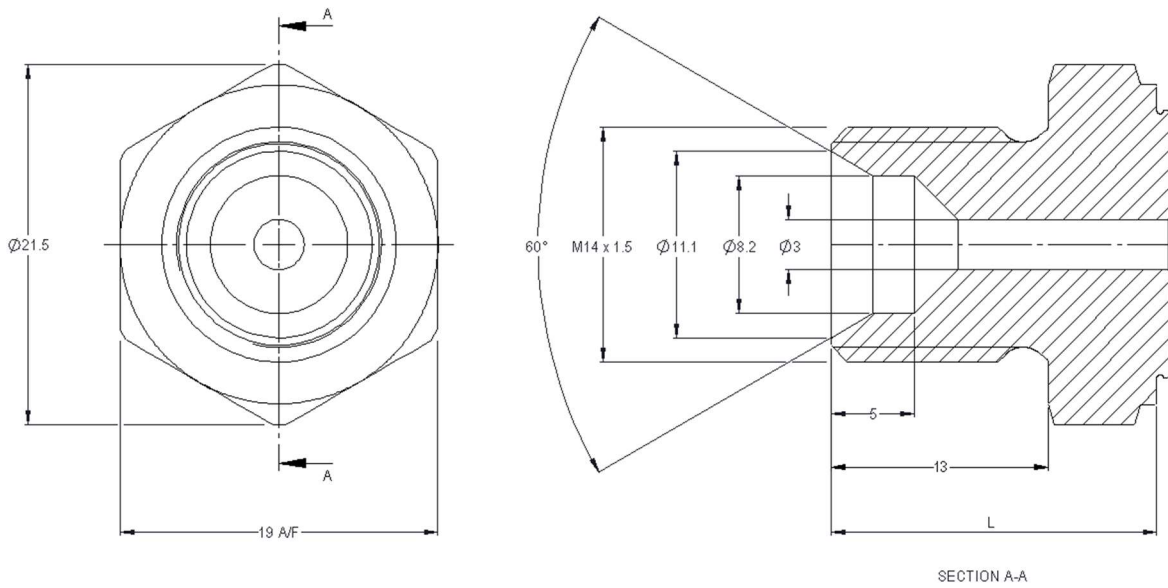
Pressure Connector- Low/Medium Pressure

Part No.	Length 'L' (mm)	Pressure Ranges
145M1972-1	18.5	Low Pressure: ≤10bar
145M1971-1	18.5	Medium Pressure: >10bar & ≤350bar
227-253	See view	Differential: ≤35bar



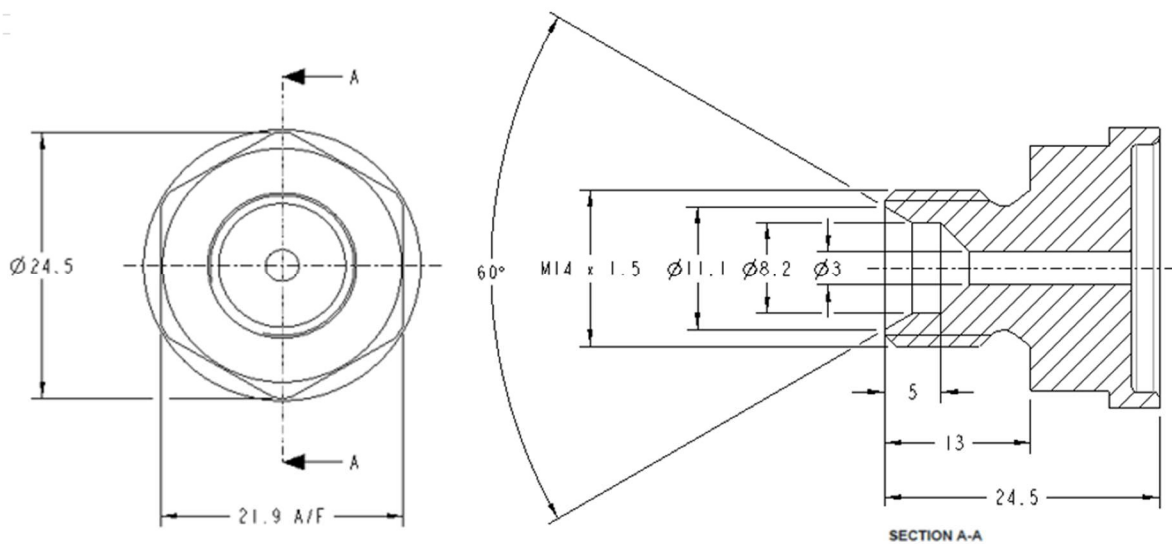
Pressure Connector- Differential

PJ – M14 x 1.5 60° Int Cone



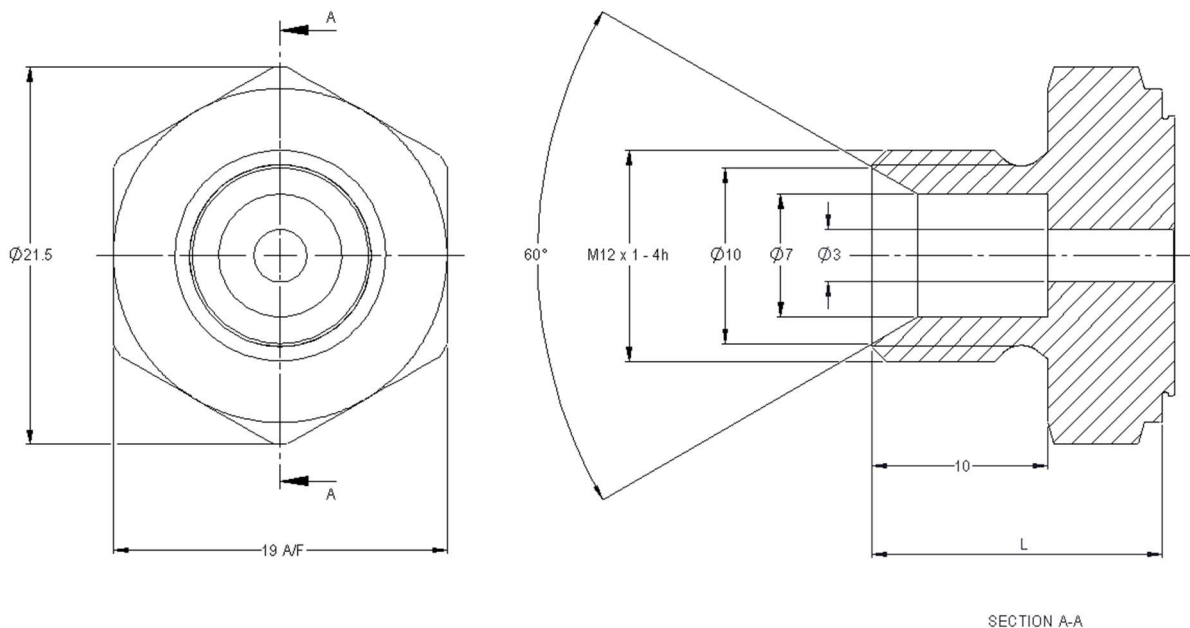
Pressure Connector- Low/Medium Pressure

Part No.	Length 'L' (mm)	Pressure Ranges
145M1993-1	19.5	Low Pressure: ≤ 10 bar
145M1992-1	19.5	Medium Pressure: > 10 bar & ≤ 350 bar
227-234-03	See view	Differential: ≤ 35 bar



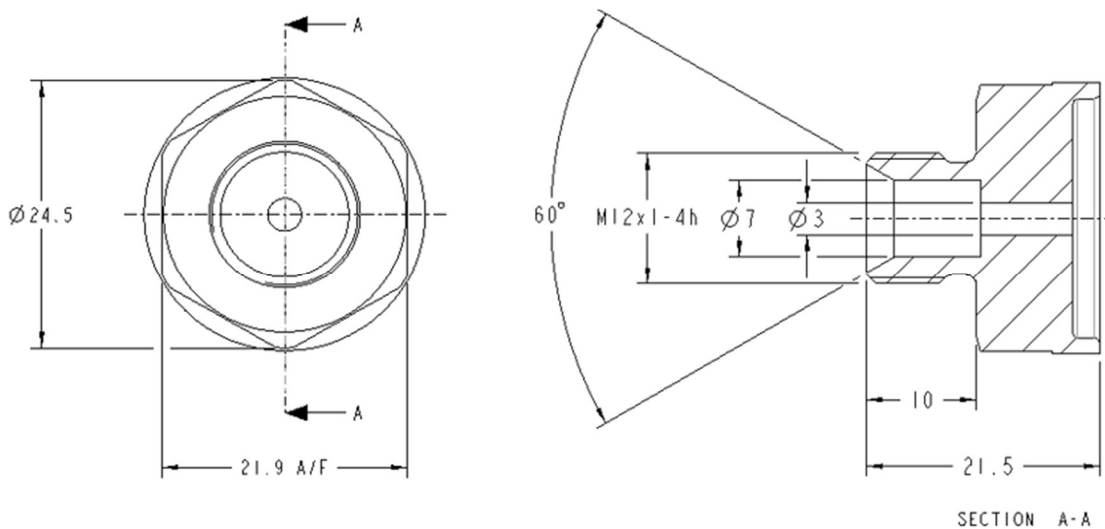
Pressure Connector- Differential

PK – M12 x 1 Int Cone



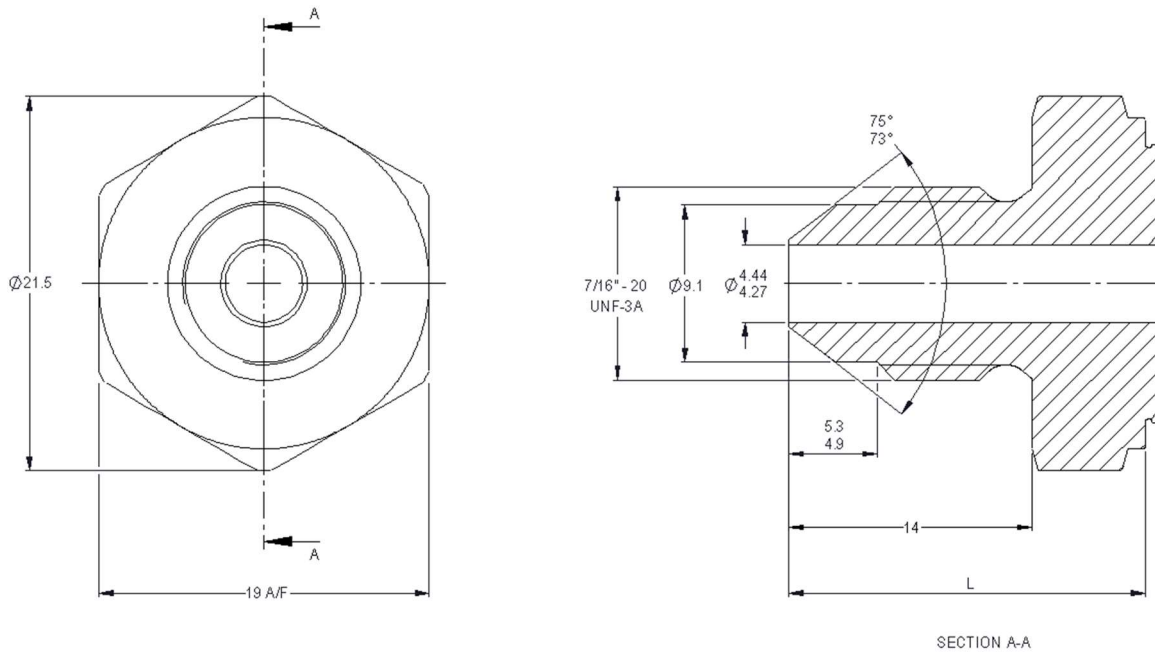
Pressure Connector- Low/Medium Pressure

Part No.	Length 'L' (mm)	Pressure Ranges
145M2031-1	16.5	Low Pressure: ≤10bar
145M2030-1	16.5	Medium Pressure: >10bar & ≤350bar
226-365-01	See view	Differential: ≤35bar



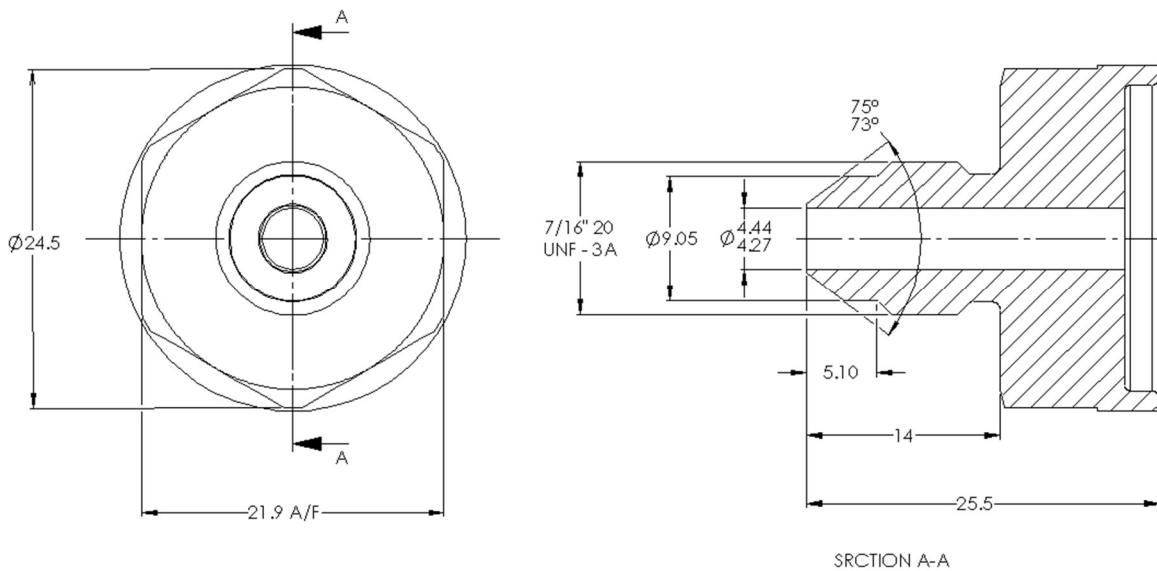
Pressure Connector- Differential

P22 – 7/6-20 UNJF Male 74° Ext



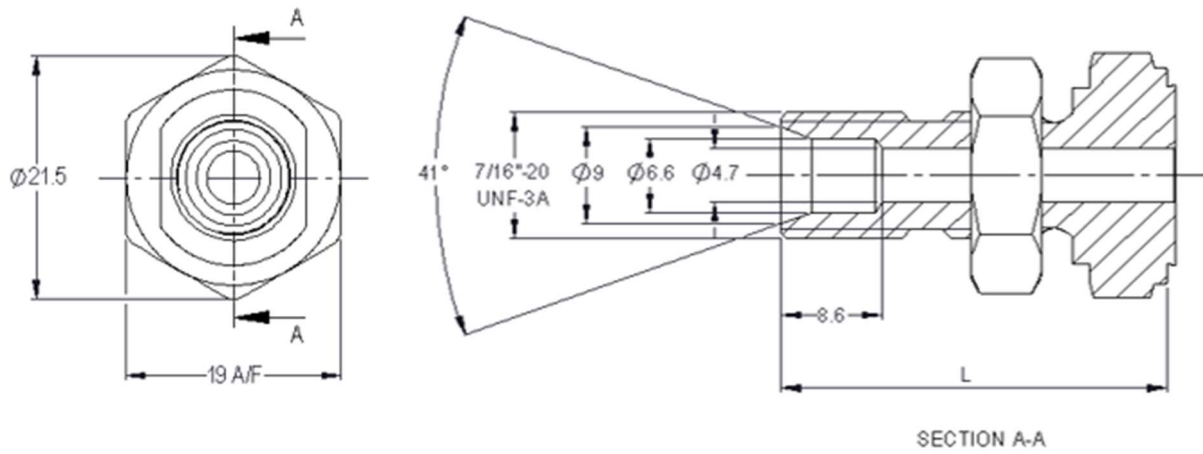
Pressure Connector- Low/Medium Pressure

Part No.	Length 'L' (mm)	Pressure Ranges
145M2019-1	20.5	Low Pressure: ≤ 10 bar
145M2018-1	20.5	Medium Pressure: > 10 bar & ≤ 350 bar
149M6122-1	See view	Differential: ≤ 35 bar



Pressure Connector- Differential

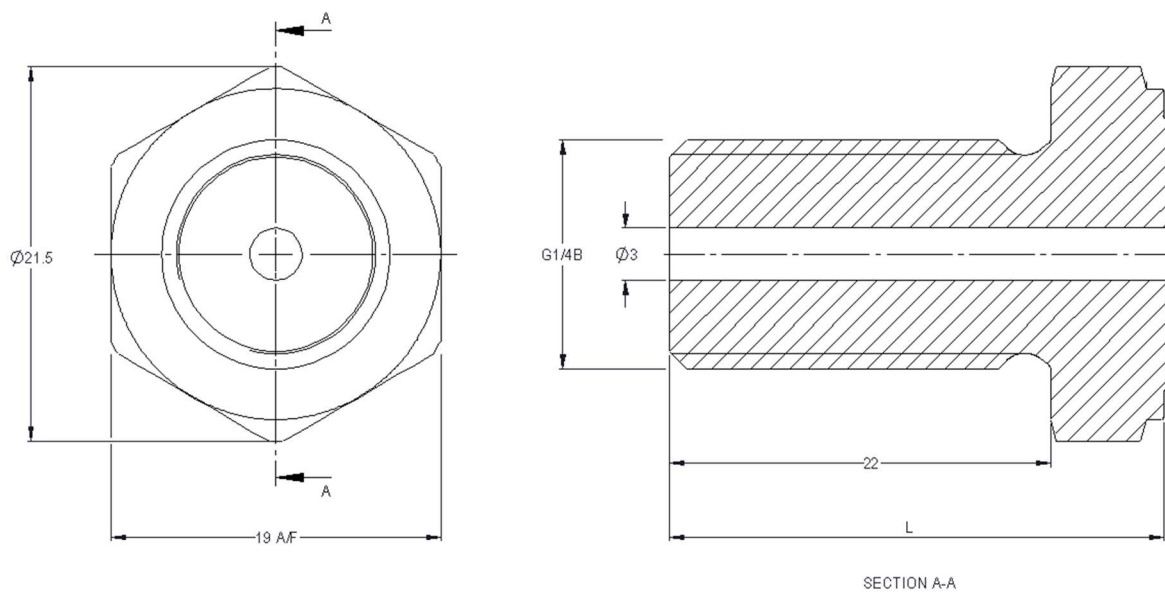
PS – 1/4 Swagelok Bulkhead



Pressure Connector- Low/Medium Pressure

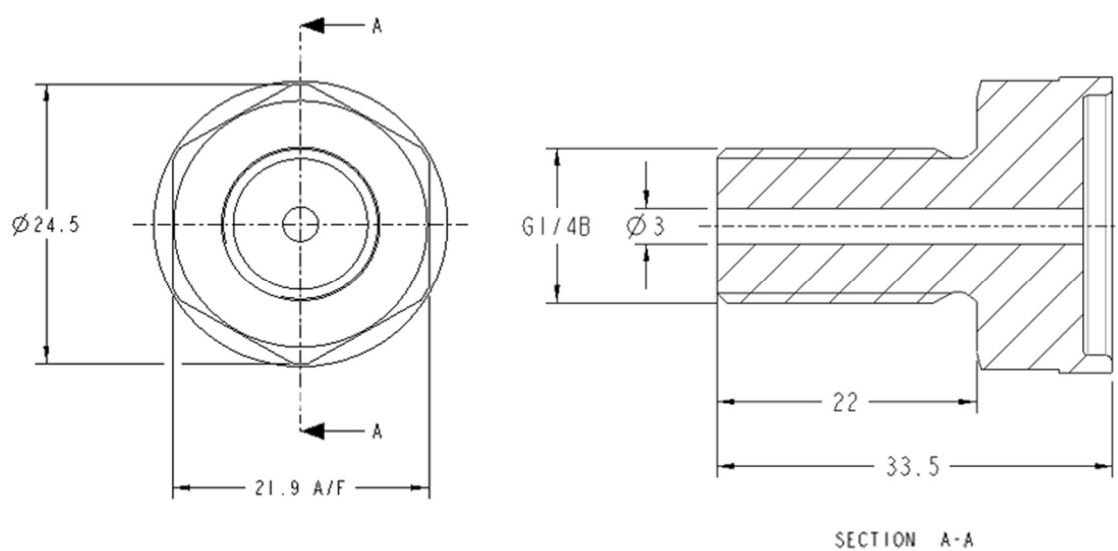
Part No.	Length 'L' (mm)	Pressure Ranges
145M2055-1	32.5	Low Pressure: ≤10bar
145M2054-1	32.5	Medium Pressure: >10bar & ≤350bar

PT – G1/4 Male Flat Long



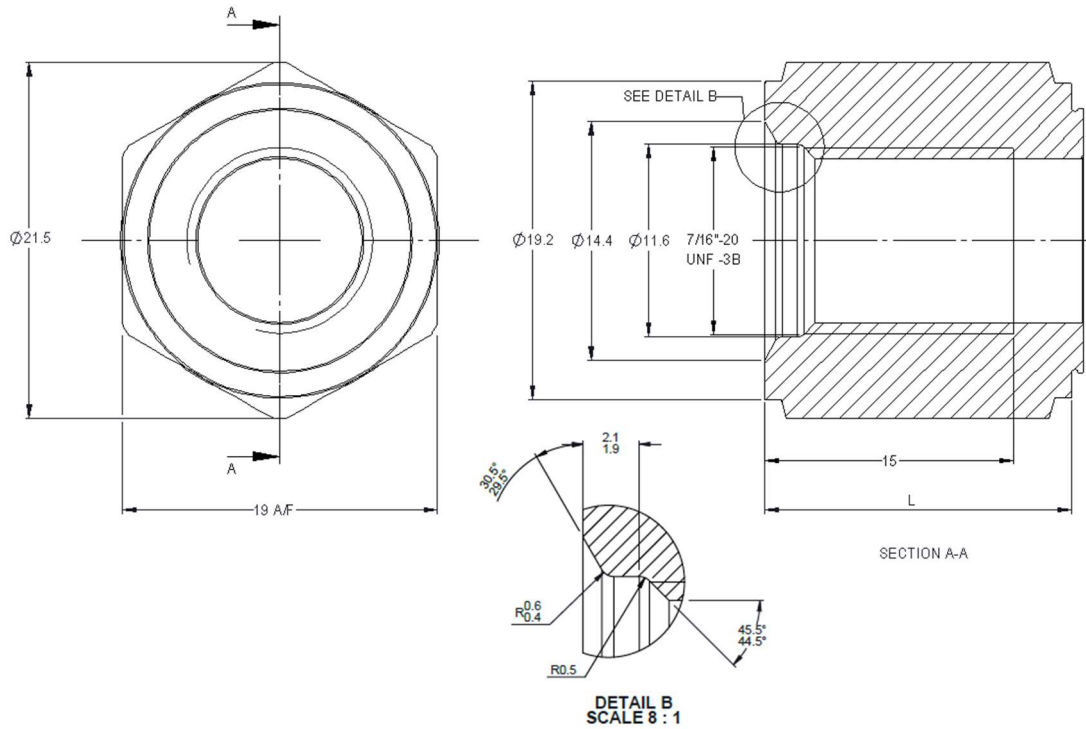
Pressure Connector- Low/Medium Pressure

Part No.	Length 'L' (mm)	Pressure Ranges
145M2022-1	28.5	Low Pressure: ≤10bar
145M2021-1	28.5	Medium Pressure: >10bar & ≤350bar
226-101-01	See view	Differential: ≤35bar



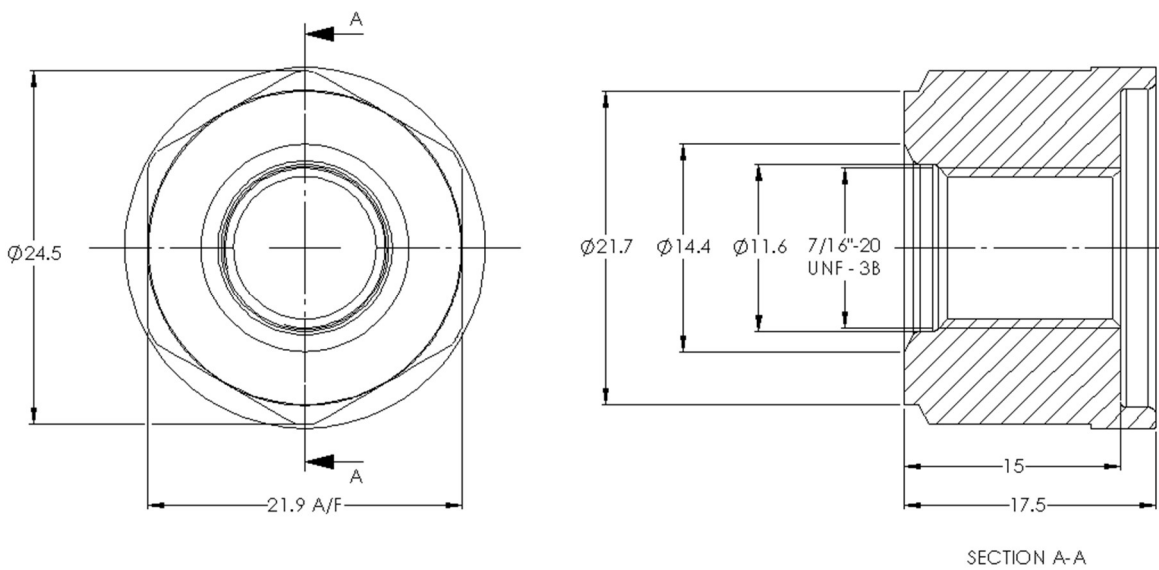
Pressure Connector- Differential

P33 – 7/16-20 UNF Female



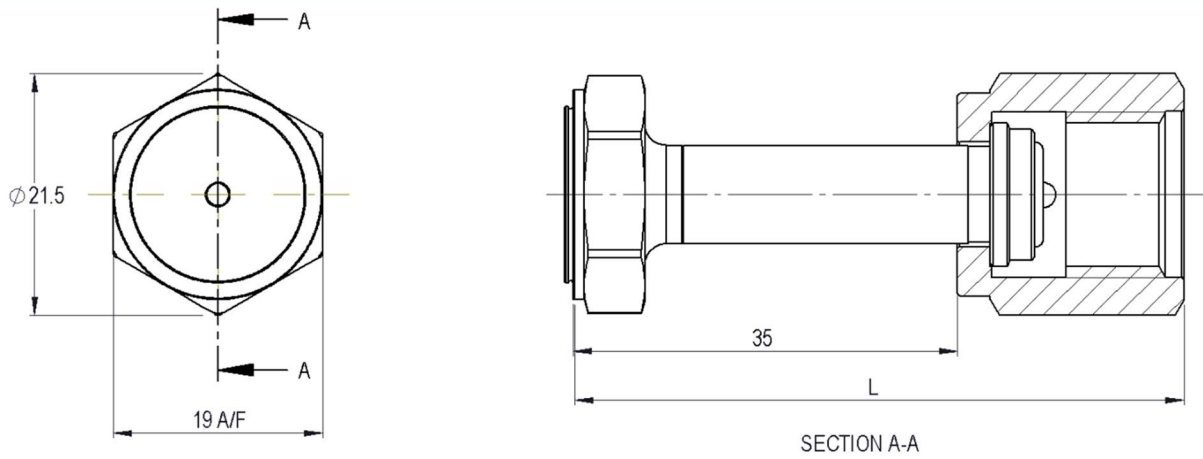
Pressure Connector- Low/Medium/High Pressure

Part No.	Length 'L' (mm)	Pressure Ranges
145M2001-1	18.5	Low Pressure: ≤10bar
145M2000-1	19.5	Medium Pressure: >10bar & ≤350bar
149M6125-1	See view	Differential: ≤35bar



Pressure Connector- Differential

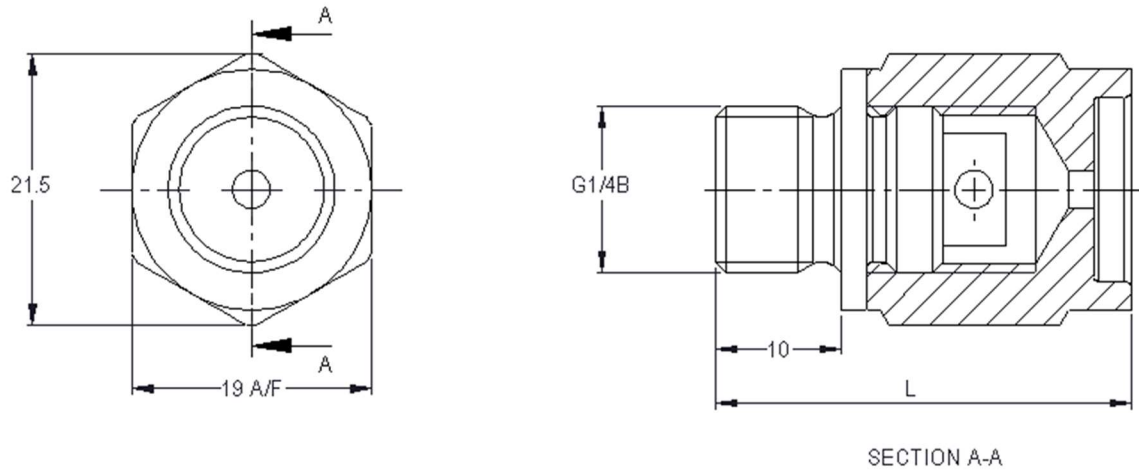
RA – 1/4 VCR Female



Pressure Connector- Low/Medium/High Pressure

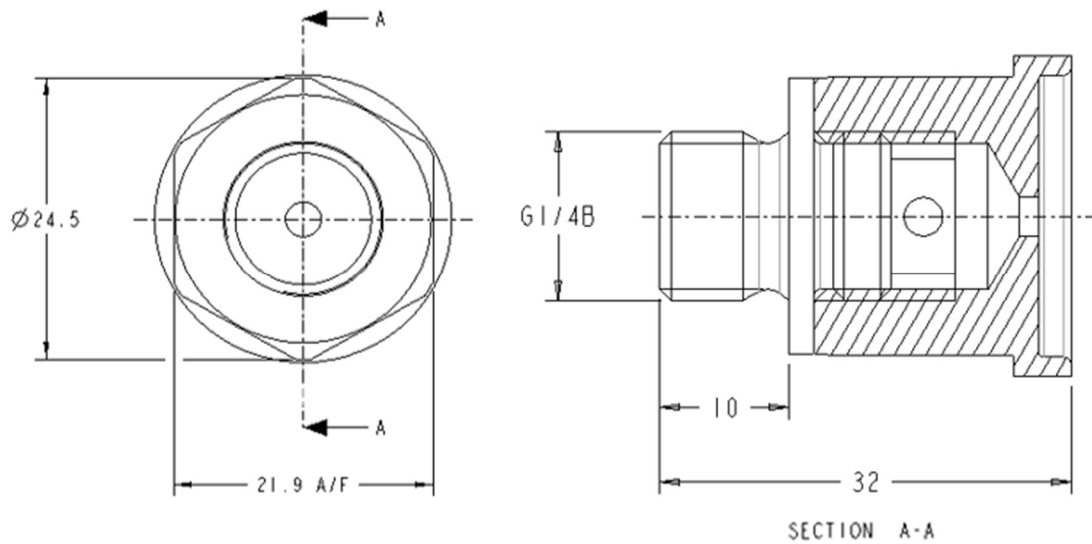
Part No.	Length 'L' (mm)	Pressure Ranges
148M3866-1	55	Low Pressure: ≤ 10 bar
148M3865-1	55	Medium Pressure: > 10 bar & ≤ 350 bar

RC – G1/4 Male Flat Cross Bore



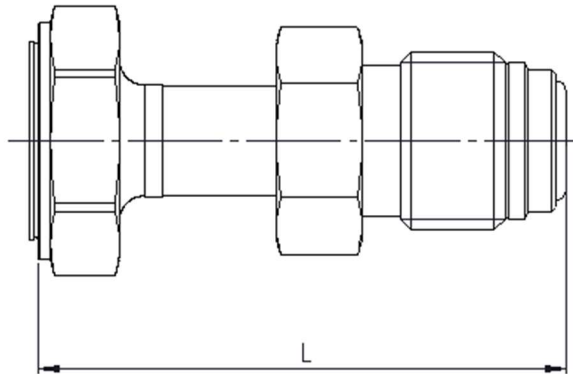
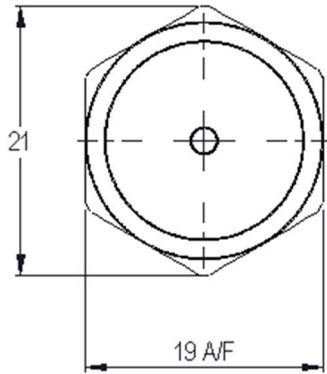
Pressure Connector- Medium Pressure

Part No.	Length 'L' (mm)	Pressure Range
145M2007-1	32.5	Medium Pressure: >10bar & ≤350bar
DA6967-1-01	See view	Differential: ≤35bar



Pressure Connector- Differential

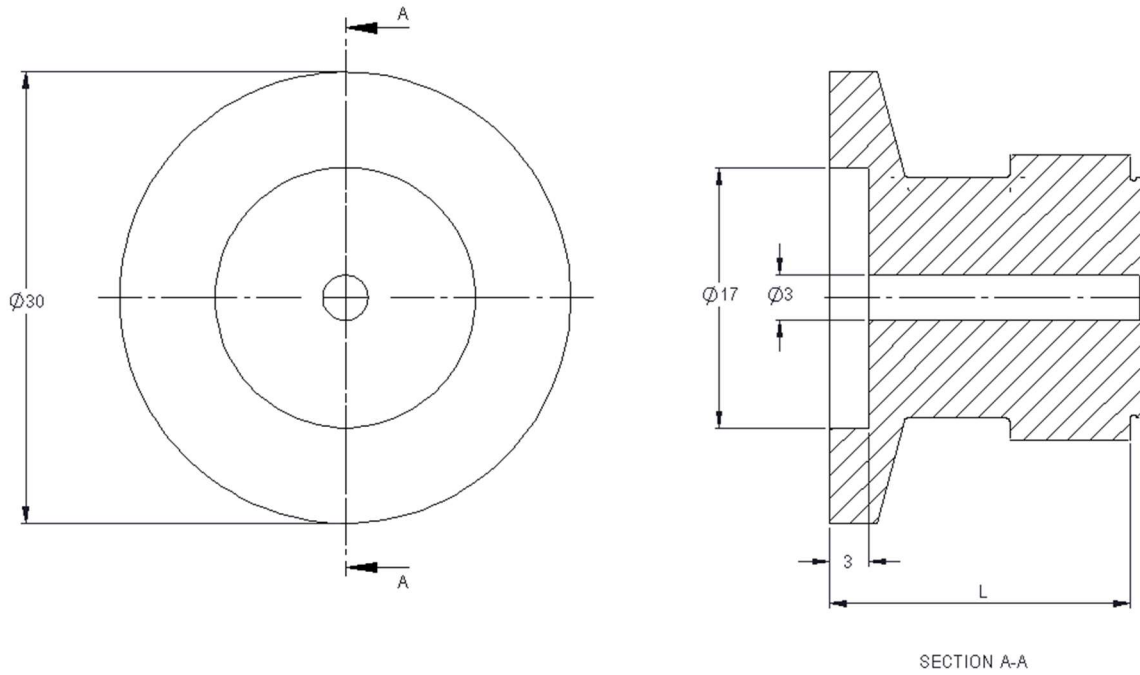
RF – 1/4 VCR Male



Pressure Connector- Low/Medium Pressure

Part No.	Length 'L' (mm)	Pressure Ranges
158M2899-1	42	Low Pressure: ≤ 10 bar
158M2869-1	42	Medium Pressure: > 10 bar & ≤ 350 bar

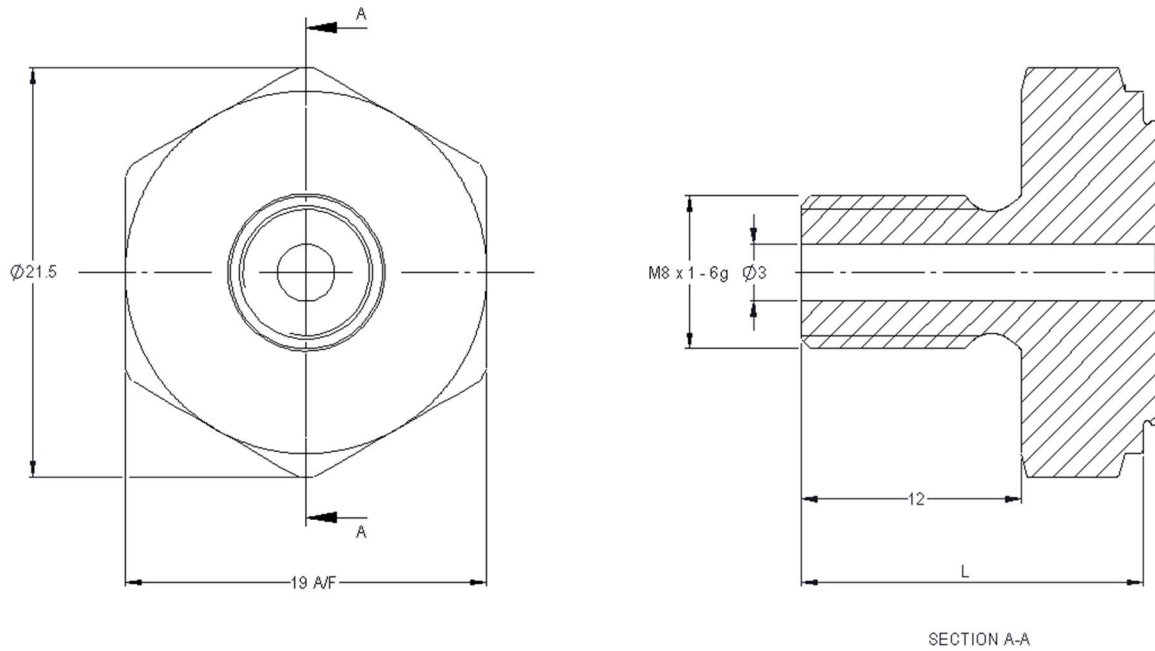
RQ – NW16 Flange



Pressure Connector- Low Pressure

Part No.	Length 'L' (mm)	Pressure Range
145M2034-1	20	Low Pressure: ≤10bar

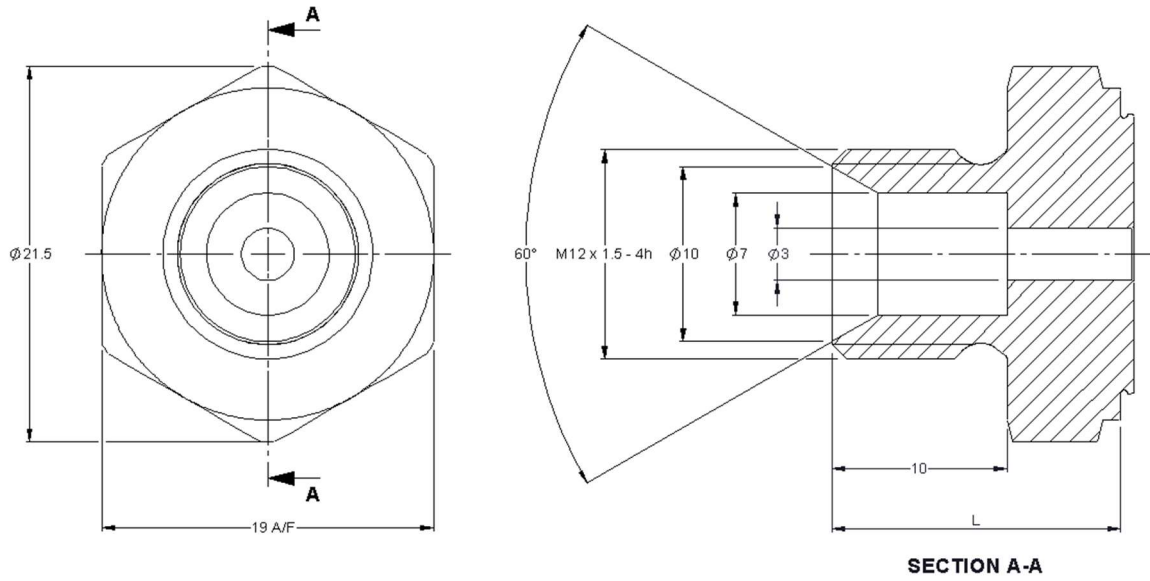
P14 – M8 x 1 Male



Pressure Connector- Low/Medium/High Pressure

Part No.	Length 'L' (mm)	Pressure Ranges
145M2037-1	18	Low Pressure: ≤10bar
145M2036-1	18	Medium Pressure: >10bar & ≤350bar

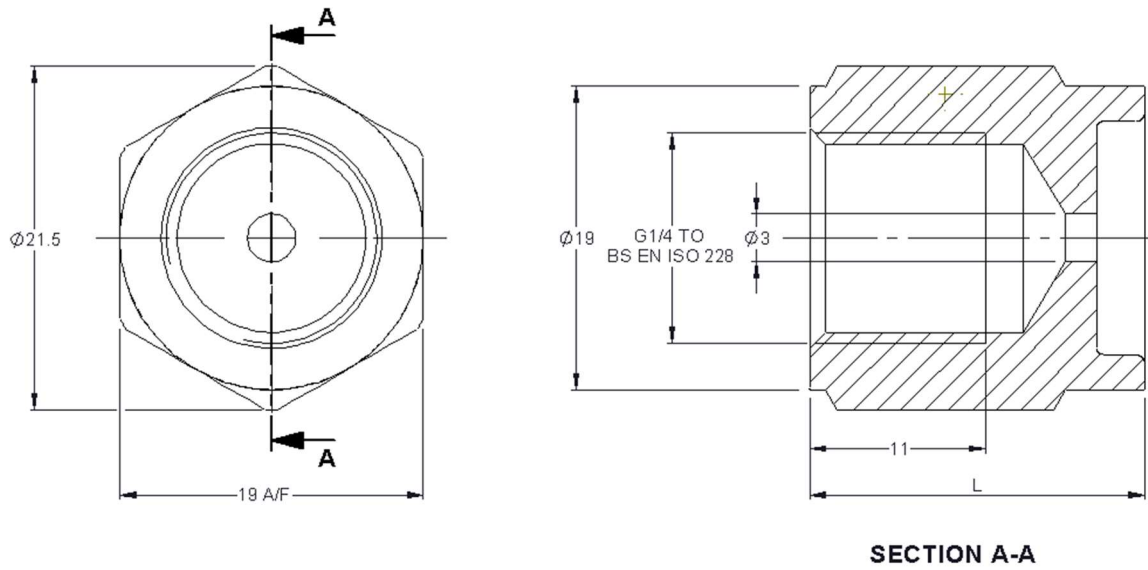
P60 – M12 x 1.5 Int Cone



Pressure Connector- Low/Medium Pressure

Part No.	Length 'L' (mm)	Pressure Ranges
145M2031-2	16.5	Low Pressure: ≤ 10 bar
145M2030-2	16.5	Medium Pressure: > 10 bar & ≤ 350 bar

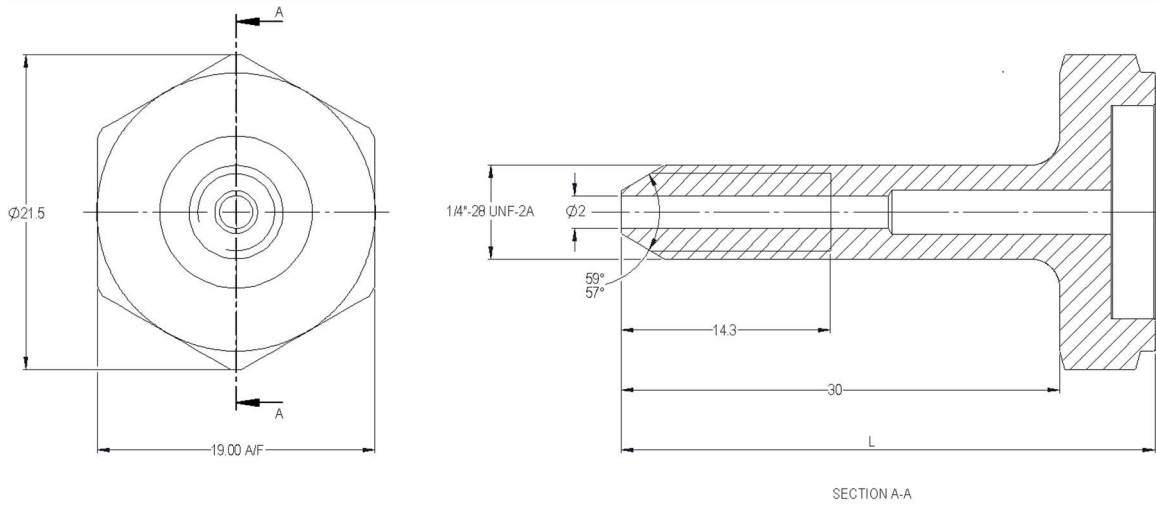
P61 – G1/4 Female with Wire Lock



Pressure Connector- Medium Pressure

Part No.	Length 'L' (mm)	Pressure Range
158M5515-1	21	Medium Pressure: >10bar & ≤350bar

RZ – 1/4-28 UNF LG THD 58° Cone



Pressure Connector- Medium Pressure

Part No.	Length 'L' (mm)	Pressure Range
159M6433-1	36.5	Medium Pressure: >10bar & ≤350bar

920-692A

Baker Hughes 

druck.com