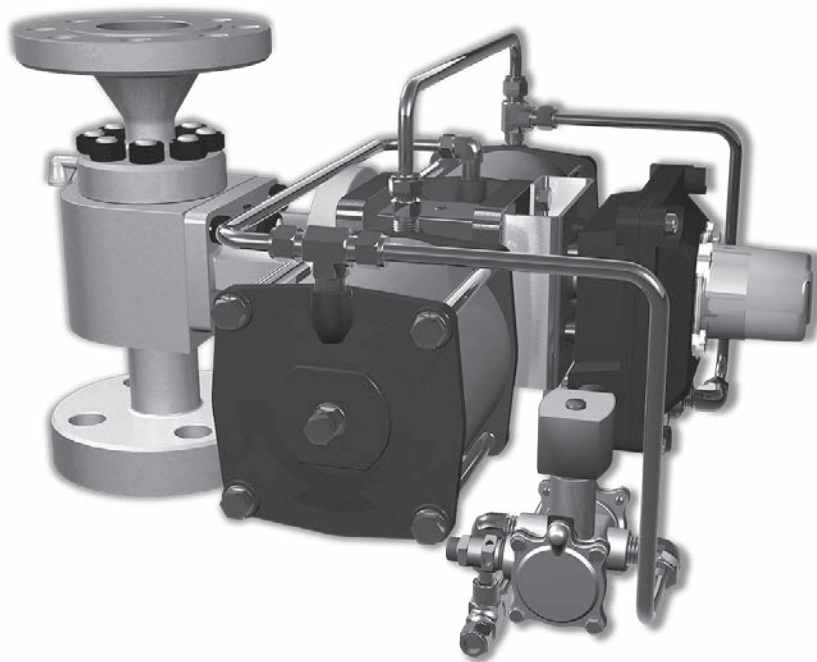


Consolidated™

3500-1/2/3 EBV Series

Electromatic™ Ball Valve System

Instruction Manual (Rev. D)



THESE INSTRUCTIONS PROVIDE THE CUSTOMER/OPERATOR WITH IMPORTANT PROJECT-SPECIFIC REFERENCE INFORMATION IN ADDITION TO THE CUSTOMER/ OPERATOR'S NORMAL OPERATION AND MAINTENANCE PROCEDURES. SINCE OPERATION AND MAINTENANCE PHILOSOPHIES VARY, BAKER HUGHES (AND ITS SUBSIDIARIES AND AFFILIATES) DOES NOT ATTEMPT TO DICTATE SPECIFIC PROCEDURES, BUT TO PROVIDE BASIC LIMITATIONS AND REQUIREMENTS CREATED BY THE TYPE OF EQUIPMENT PROVIDED.

THESE INSTRUCTIONS ASSUME THAT OPERATORS ALREADY HAVE A GENERAL UNDERSTANDING OF THE REQUIREMENTS FOR SAFE OPERATION OF MECHANICAL AND ELECTRICAL EQUIPMENT IN POTENTIALLY HAZARDOUS ENVIRONMENTS. THEREFORE, THESE INSTRUCTIONS SHOULD BE INTERPRETED AND APPLIED IN CONJUNCTION WITH THE SAFETY RULES AND REGULATIONS APPLICABLE AT THE SITE AND THE PARTICULAR REQUIREMENTS FOR OPERATION OF OTHER EQUIPMENT AT THE SITE.

THESE INSTRUCTIONS DO NOT PURPORT TO COVER ALL DETAILS OR VARIATIONS IN EQUIPMENT NOR TO PROVIDE FOR EVERY POSSIBLE CONTINGENCY TO BE MET IN CONNECTION WITH INSTALLATION, OPERATION OR MAINTENANCE. SHOULD FURTHER INFORMATION BE DESIRED OR SHOULD PARTICULAR PROBLEMS ARISE WHICH ARE NOT COVERED SUFFICIENTLY FOR THE CUSTOMER/OPERATOR'S PURPOSES THE MATTER SHOULD BE REFERRED TO BAKER HUGHES.

THE RIGHTS, OBLIGATIONS AND LIABILITIES OF BAKER HUGHES AND THE CUSTOMER/OPERATOR ARE STRICTLY LIMITED TO THOSE EXPRESSLY PROVIDED IN THE CONTRACT RELATING TO THE SUPPLY OF THE EQUIPMENT. NO ADDITIONAL REPRESENTATIONS OR WARRANTIES BY BAKER HUGHES REGARDING THE EQUIPMENT OR ITS USE ARE GIVEN OR IMPLIED BY THE ISSUE OF THESE INSTRUCTIONS.

THESE INSTRUCTIONS ARE FURNISHED TO THE CUSTOMER/OPERATOR SOLELY TO ASSIST IN THE INSTALLATION, TESTING, OPERATION, AND/OR MAINTENANCE OF THE EQUIPMENT DESCRIBED. THIS DOCUMENT SHALL NOT BE REPRODUCED IN WHOLE OR IN PART WITHOUT THE WRITTEN APPROVAL OF BAKER HUGHES.

Conversion Table

All the United States Customary System (USCS) values are converted to metric values using the following conversion factors:

USCS Unit	Conversion Factor	Metric Unit
in.	25.4	mm
lb.	0.4535924	kg
in ²	6.4516	cm ²
ft ³ /min	0.02831685	m ³ /min
gal/min	3.785412	L/min
lb/hr	0.4535924	kg/hr
psig	0.06894757	barg
ft lb	1.3558181	Nm
°F	5/9 (°F-32)	°C

Note: Multiply USCS value with conversion factor to get metric value.

NOTICE

For any service questions not covered in this manual, please contact your local *Green Tag*™ Center (GTC).

Table of Contents

I.	Product Safety Sign and Label System	1
II.	Safety Precautions	2
III.	Safety Notice	5
IV.	Warranty Information	6
V.	Valve Terminology	7
VI.	Handling and Storage.....	9
VII.	Design Features and Nomenclature.....	10
VIII.	Introduction.....	10
IX.	Consolidated 3500 Series Safety Valves.....	11
X.	Operating Principles	15
XI.	Recommended Installation Practices	18
	A. Main Valve.....	18
	B. Type 3539 Controller	18
	C. Required Wire Gauge	18
	D. Cable - Special Conditions Use	19
	E. Limit Switch Enclosure - Special Conditions Use	19
	F. ASCO Solenoid - Special Conditions Use	19
XII.	Disassembly of 3500 Series Safety Valve	20
	A. Ball, Seat and Loader Assembly Removal.....	20
	B. Actuator Assembly Removal	20
	C. Stem Removal	21
	D. Cleaning.....	21
XIII.	Maintenance Instructions	22
	A. Seat Leakage.....	22
	B. Packing Leakage	22
	C. Electrical System	23
XIV.	Inspection and Part Replacement	36
XV.	Reassembly of 3500 Series Safety Valve.....	36
	A. Lubrication	36
	B. Tools Required	36
	C. Valve Assembly	36
	D. Actuator and Accessory Assembly for LEDEEN GS and SY Series Actuators	38
	E. Actuator and Accessory Assembly for LEDEEN Models VA123 Actuators	40
XVI.	Setting and Testing.....	42
	A. Start-Up of the System.....	42
	1. Prior to Start Up Checks	42
	2. System Start Up	42
	3. Adjusting the Set Pressure and Blowdown	42
	4. Minimum Blowdown Setting	44
	B. Hydrostatic Testing.....	44

C.	MVC-5000 --Start-Up of the System	45
1.	Prior to Start-Up Checks	45
2.	Setting of the EBV and Digital Controller	46
3.	System Start-Up	47
4.	Adjusting the Set Pressure and Blowdown	47
5.	Minimum Blowdown Setting	47
6.	Hydrostatic Testing	47
XVII.	Troubleshooting	48
XVIII.	Maintenance Tools.....	50
A	Disassembly and Reassembly Required Tools	50
XIX.	Replacement Parts Planning	52
A.	General Information	52
B.	Inventory Planning - Replacement Parts List	52
C.	Identification and Ordering Essentials	53
XX.	Genuine Consolidated Parts	53
XXI.	Recommended Spare Parts	53
XXII.	Field Service, Repair and Training Program	54
A.	Field Service	54
B.	Factory Repair Facilities	54
C.	Safety Valve Maintenance Training.....	54

I. Product Safety Sign and Label System

If and when required, appropriate safety labels have been included in the rectangular margin blocks throughout this manual. Safety labels are vertically oriented rectangles as shown in the *representative examples* (below), consisting of three panels encircled by a narrow border. The panels can contain four messages which communicate:

- The level of hazard seriousness.
- The nature of the hazard.
- The consequence of human, or product, interaction with the hazard.
- The instructions, if necessary, on how to avoid the hazard.

The top panel of the format contains a signal word (**DANGER**, **WARNING**, **CAUTION** or **ATTENTION**) which communicates the level of hazard seriousness.

The center panel contains a pictorial which communicates the nature of the hazard, and the possible consequence of human or product interaction with the hazard. In some instances of human hazards the pictorial may, instead, depict what preventive measures to take, such as wearing protective equipment.

The bottom panel may contain an instruction message on how to avoid the hazard. In the case of human hazard, this message may also contain a more precise definition of the hazard, and the consequences of human interaction with the hazard, than can be communicated solely by the pictorial.

①

DANGER — Immediate hazards which **WILL** result in severe personal injury or death.

②

WARNING — Hazards or unsafe practices which **COULD** result in severe personal injury or death.

③

CAUTION — Hazards or unsafe practices which **COULD** result in minor personal injury.

④

ATTENTION — Hazards or unsafe practices which **COULD** result in product or property damage



II. Safety Precautions

⚠ DANGER



Do not remove bolts if pressure is in line, as this will result in severe personal injury or death.

⚠ WARNING



Improper use or repair of pressurized device may result in severe personal injury or death.

⚠ WARNING



Heed all container label warnings.

⚠ WARNING



Provide and use guarding to prevent contact with heated and/or pressurized parts.

⚠ WARNING



Do not work with valves while under the influence of intoxicants or narcotics.

⚠ WARNING

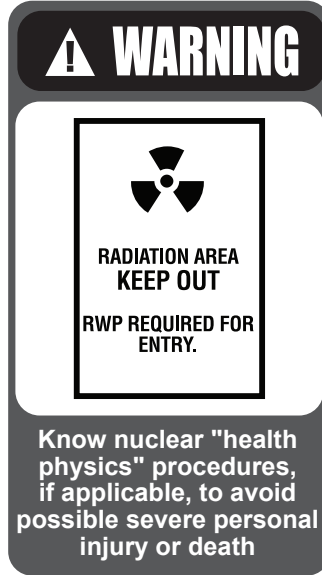


All potential hazards may not be covered in this manual.

Read - Understand - Practice

- DANGER:** High temperature/pressure can cause injury. Be sure all system pressure is absent before repairing or removing valves.
- DANGER:** Don't stand in front of valve outlet when discharging, Stand clear of valve to prevent exposure to trapped, corrosive media.
- DANGER:** When inspecting a pressure relief valve for leakage, Be very careful!
- WARNING:** Allow the system to cool to room temperature before cleaning, servicing or repairing the system. Hot components or fluids can cause severe personal injury or death.
- WARNING:** Always read and comply with safety labels on all containers. Do not remove or deface the container labels. Improper handling or misuse could result on severe personal injury or death.
- WARNING:** Never use pressurized fluids/gas/air to clean clothing or body parts. Never use body parts to check for leaks or flow rates or areas. Pressurized fluids/gas/air injected into or near the body can result in severe personal injury or death.
- WARNING:** It is the responsibility of the owner to specify and provide guarding to protect persons from pressurized or heated parts. Contact with pressurized or heated parts can result in severe personal injury or death.
- WARNING:** Do not allow anyone to work while under the influence of intoxicants or narcotics. They are a hazard both to themselves and other employees and can cause severe personal injury or death to themselves or others.
- WARNING:** Incorrect service and repair could result in product or property damage or severe personal injury or death.
- WARNING:** These warnings are as complete as possible but not all-inclusive. Baker Hughes cannot know all conceivable service methods nor evaluate all potential hazards.
- WARNING:** Use of improper tools or improper use of right tools could result in personal injury or product or property damage.

II. Safety Precautions (Cont.)



9. **WARNING:** This valve product is not intended for radioactive nuclear applications. Some valve products manufactured by Baker Hughes may be used in radioactive environments. Consequently, prior to starting any operation in a radioactive environment, the proper "health physics" procedures should be followed, if applicable.

1. **CAUTION:** Heed all service manual warnings. Read installation instructions before installing valve(s).
2. **CAUTION:** Wear hearing protection when testing or operating valves.
3. **CAUTION:** Wear appropriate eye and clothing protection.
4. **CAUTION:** Wear protective breathing apparatus to protect against toxic media.

Note: Any service questions not covered in this manual should be referred to your local Green Tag Center (GTC).

II. Safety Precautions (Cont.)

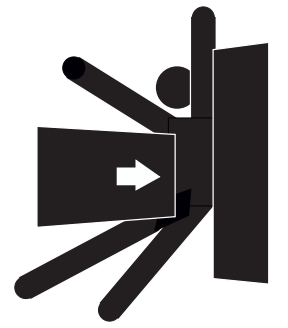
Read - Understand - Practice

Safety Precautions

Follow all plant regulations, but be sure to observe the following:

- **Always** eliminate the working pressure before making any valve adjustments or repairs. This will preclude severe personal injury or death.
- Do **not** stand in front of the discharge of a valve when testing or operating.
- Hearing protection should **always** be used when testing or operating a valve.
- Wear protective clothing. Hot water can burn and super-heated steam is **not visible**.
- When removing a power operated safety relief valve from a system, stand clear and/or wear protective clothing to prevent exposure to spatter, or any corrosive process medium, which may have been trapped inside the valve. Ensure the valve is isolated from system pressure **before** valve is removed.
- **Exercise care** when examining a power operated safety relief valve for audible or visible leakage to avoid possible personal injury.
- Prior to each actuation, ensure that no personnel are near the valve exhaust point. Media escaping from the valve during actuation can possibly cause personal injury.
- **Never** tamper with the valve when system pressure is near the valve set pressure.
- Before performing any machining on valve parts, consult Baker Hughes or its authorized representative.
- All valves require periodic inspection and tests by qualified persons to ensure that the valves are in proper working condition, and will function as designed by Baker Hughes.
- The owner/operator of the valves must be aware of usage condition, and must bear the responsibility for determining the appropriate frequency of examination of the valves.
- Do **not** attempt to repack a power actuated relief valve while it is pressurized.
- Use care when making wiring connections on electrical components and when making valve setting adjustments to avoid electrical shock.

⚠ DANGER



Eliminate pressure and stand clear of discharge when working on valve to avoid severe personal injury or death

⚠ CAUTION



Wear necessary protective equipment to prevent possible injury.

⚠ DANGER



Avoid electric shock.

⚠ WARNING



Know all valve exhaust/leakage points to avoid possible severe personal injury or death.

III. Safety Notice

Proper installation and start-up is essential to the safe and reliable operation of all valve products. The relevant procedures recommended by Baker Hughes, and described in these instructions, are effective methods of performing the required tasks.

It is important to note that these instructions contain various “safety messages” which should be carefully read in order to minimize the risk of personal injury, or the possibility that improper procedures will be followed which may damage the involved Baker Hughes product, or render it unsafe. It is also important to understand that these “safety messages” are not exhaustive. Baker Hughes can not possibly know, evaluate, and advise any customer of all of the conceivable ways in which tasks might be performed, or of the possible hazardous consequences of each way. Consequently, Baker Hughes has not undertaken any such broad evaluation and, thus, anyone who uses a procedure and/or tool, which is not recommended by Baker Hughes, or deviates from Baker Hughes recommendations, must be thoroughly satisfied that neither personal safety, nor valve safety, will be jeopardized by the method and/or tools selected. If you have any questions, please contact your local Green Tag Center (GTC).

The installation and start-up of valves and/or valve products may involve proximity to fluids at extremely high pressure and/or temperature. Consequently, every precaution should be taken to prevent injury to personnel during the performance of any procedure. These precautions should consist of, but are not limited to, ear drum protection, eye protection, and the use of protective clothing, (i.e., gloves, etc.) when personnel are in, or around, a valve work area. Due to the various circumstances and conditions in which these operations may be performed on Baker Hughes products, and the possible hazardous consequences of each way, Baker Hughes can not possibly evaluate all conditions that might injure personnel or equipment. Nevertheless, Baker Hughes does offer certain Safety Precautions, listed in Section II, for customer information only.

It is the responsibility of the purchaser or user of Baker Hughes valves/equipment to adequately train all personnel who will be working with the involved valves/equipment. For more information on training schedules, please contact your local Green Tag Center. Further, prior to working with the involved valves/equipment, personnel who are to perform such work should become thoroughly familiar with the contents of these instructions.



IV. Warranty Information

Warranty Statement – Baker Hughes warrants that its products and work will meet all applicable specifications and other specific product and work requirements (including those of performance), if any, and will be free from defects in material and workmanship. Refer to Baker Hughes Standard Terms of Sale, or specific contract for complete details on warranty and limitation of remedy and liability.

Defective and nonconforming items must be held for Baker Hughes's inspection and returned to the manufacturer upon request.

Incorrect Selection or Misapplication of Products – Baker Hughes cannot be responsible for customer's incorrect selection or misapplication of our products.

Unauthorized Repair Work – Baker Hughes has not authorized any non-Baker Hughes affiliated repair companies, contractors or individuals to perform warranty repair service on new products or field repaired products of its manufacture. Therefore, customers contracting such repair services from unauthorized sources must do so at their own risk.

Unauthorized Removal of Seals - All new valves and valves repaired in the field by Baker Hughes Field Service are sealed to assure the customer of our guarantee against defective workmanship. Unauthorized removal and/or breakage of this seal will negate our warranty.

V. Valve Terminology

(Paraphrased from ASME's PTC 25)

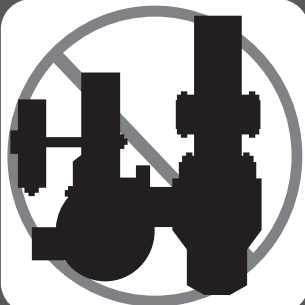
- **Back Pressure**
Back pressure is the static pressure existing at the outlet of a safety valve device due to pressure in the discharge system.
- **Blowdown**
Blowdown is the difference between actual popping pressure of a safety valve and actual reseating pressure expressed as a percentage of set pressure, or in pressure units.
- **Bore Area**
Bore area is the minimum cross-sectional area of the seat bushing.
- **Bore Diameter**
Bore diameter is the minimum diameter of the seat bushing.
- **Built-Up Back Pressure**
Pressure existing at the outlet of a safety valve while it is open and flowing through a discharge system.
- **Chatter**
Chatter is abnormal, rapid reciprocating motion of the moveable parts of a safety valve, in which the disc contacts the seat.
- **Closing Pressure**
Closing pressure is the value of decreasing inlet static pressure at which the valve disc re-establishes contact with the seat, or at which lift becomes zero.
- **Disc**
A disc is the pressure containing moveable member of a safety valve which effects closure.
- **Inlet Size**
Inlet size is the nominal pipe size of the inlet of a safety valve, unless otherwise designated.
- **Leak Test Pressure**
Leak test pressure is the specified inlet static pressure at which a quantitative seat leakage test is performed in accordance with a standard procedure.
- **Lift**
Lift is the actual travel of the disc away from closed position when a valve is relieving.
- **Lifting Device**
A lifting device is a device for manually opening a safety valve, by the application of external force to lessen the spring loading which holds the valve closed.
- **Outlet Size**
Outlet size is the nominal pipe size of the outlet passage of a safety valve, unless otherwise designated.
- **Overpressure**
Overpressure is a pressure increase over the set pressure of a safety valve, usually expressed as a percentage of set pressure.
- **Popping Pressure**
Popping pressure is the value of increasing inlet static pressure at which the disc moves in the opening direction at a faster rate as compared with corresponding movement at higher or lower pressures. It applies only to safety or safety relief valves on compressible fluid service.
- **Pressure Containing Member**
A pressure containing member of a safety valve is a part which is in actual contact with the pressure media in the protected vessel.
- **Pressure Retaining Member**
A pressure retaining member of a safety valve is a part which is stressed due to its function in holding one or more pressure containing members in position.
- **Rated Lift**
Rated lift is the design lift at which a valve attains its rated relieving capacity.
- **Safety Valve**
A safety valve is a pressure relief valve actuated by inlet static pressure and characterized by rapid opening or pop action.
- **Seat**
A seat is the pressure containing contact between the fixed and moving portions of the pressure containing elements of a valve.

V. Valve Terminology (Cont.)

- **Seat Bushing**
A seat bushing is the pressure containing element which constitutes the inlet flow passage and includes the fixed portion of the seat closure.
- **Seat Diameter**
Seat diameter is the smallest diameter of contact between the fixed and moving members of the pressure containing elements of a valve.
- **Seat Tightness Pressure**
Seat tightness pressure is the specific inlet static pressure at which a quantitative seat leakage test is performed in accordance with a standard procedure.
- **Set Pressure**
Set pressure is the value of increasing inlet static pressure at which a safety valve displays the operational characteristics as defined under "Popping Pressure." It is one value of pressure stamped on the safety valve.
- **Simmer**
Simmer is the audible or visible escape of fluid between the seat and disc at an inlet static pressure below the popping pressure and at no measurable capacity. It applies to safety valves on compressible fluid service.
- **Warn**
See "Simmer" (definition above).

VI. Handling and Storage

⚠ ATTENTION



Do not position inlet flange horizontally, or lift valve by tubing assembly or external devices.

The valve either crated or un-crated, should always be kept with the inlet down, (i.e., never laid on its side).

Never attempt to lift the full weight of the valve by the actuator tubing, solenoid valve, junction box, etc.

Electromatic™ ball valves (EBV) should be stored in their original shipping crates, in a dry environment, to protect them from the weather. They should not be removed from the crates until immediately prior to installation.

The inlet and outlet protectors should not be removed until the valves are ready for installation into the system.

EBV, either crated or un-crated, should never be subjected to sharp impact. This would most likely occur by bumping or dropping during loading or unloading from a truck, or while moving with a power conveyor, such as a fork lift truck, or while hoisting during installation, care should be exercised to prevent bumping the valve against structures or other objects.

⚠ WARNING



Improper tools or improper use of right tools could result in personal injury or product damage.

When EBV are un-crated, and the inlet and outlet protectors are removed immediately prior to the installation. Meticulous care should be exercised to prevent dirt, or other foreign materials, from entering the inlet and outlet ports while installing the valves.

⚠ CAUTION



Do not allow dirt or foreign matter to enter the inlet or outlet points.

VII. Design Features and Nomenclature

Figure 1 illustrates the relationship of the various elements of the power actuated relief valve system. The Type 3539 Controller consists of a pressure sensing element (i.e., a bourdon tube), an electrical relay and control box which houses the electrical relay and sensing element. The Type 2537 control station is a three position selector which allows selection of manual actuation, off or automatic actuation. It consists of a box, selector switch and two indicator lights (red and amber). The pneumatic actuator assembly consists of a double acting pneumatic actuator, two three-way solenoid valves (one normally open and one normally closed), and one actuator mounted Westlock switch which contains two SPDT limit switches.

The electrical supply system consists of a control circuit and a solenoid circuit.

The solenoid circuit provides the voltage needed for the solenoid. The solenoid power supply wiring must be sized so that the voltage drop, due to the solenoid

inrush current, does not exceed 5%.

The field wiring must have insulation suitable for at least 600 volts. The solenoid insulation is Class F.

Environmental Conditions:

- Indoor or outdoor use
- Elevation (maximum) 2000 M
- Operating ambient temperature maximum 140°F (60°C). (CE certified at 40°C maximum.)
- Pollution degree - 2
- Over voltage category III
- Main supply voltage fluctuations of +10% to -5% of the normal voltage.
- Protection classification
 - Type 2537 Control Station – Nema (IP)
 - Type 3539 Controller – Nema 4 (IP)
 - Topmount Controller Assy - Nema (IP)

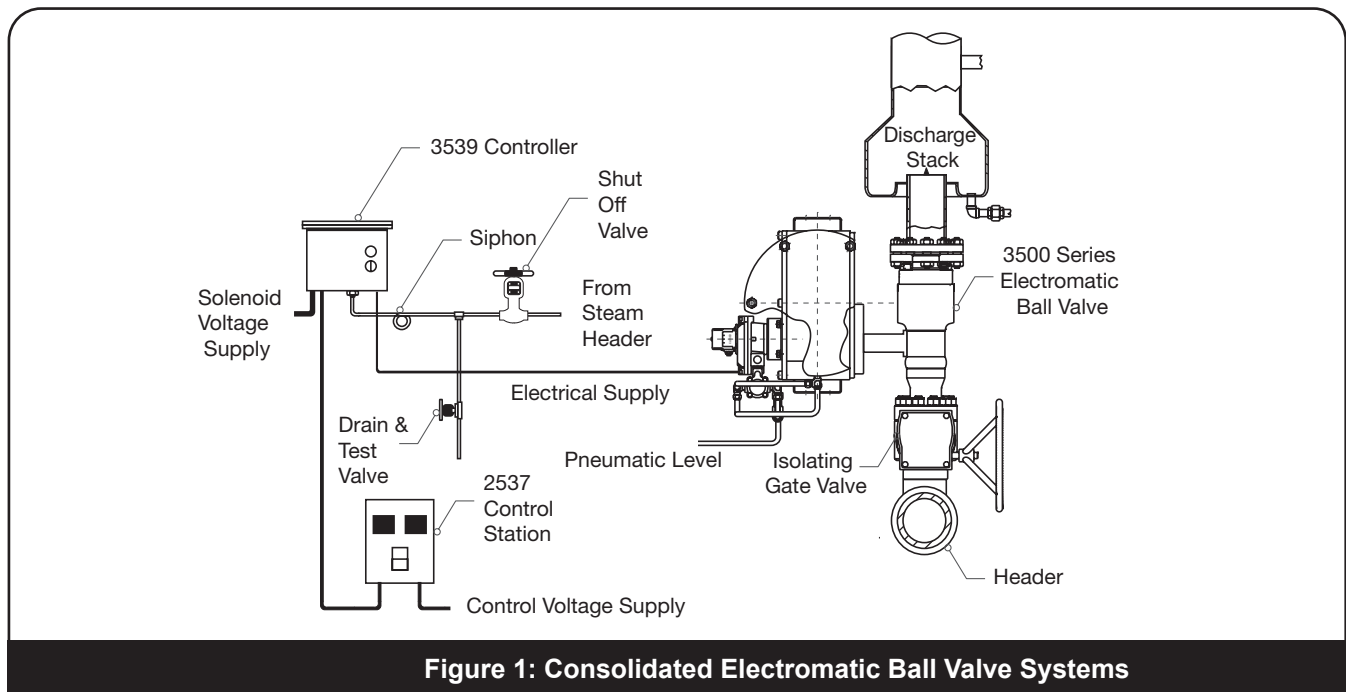


Figure 1: Consolidated Electromatic Ball Valve Systems

VIII. Introduction

The Consolidated Electromatic Ball Valve (EBV) is an electrically controlled pneumatically actuated pressure relief device. It may be manually operated by closing a switch, or automatically operated at specified opening and closing pressure. The application provides the plant operator with a means of instantaneously opening and closing a relief valve at a remote location.

When the pressure element is set to open the Electromatic Ball Valve (EBV) at a pressure slightly below the lowest set spring loaded safety valves, it will prevent the safety valves from opening except during major overpressure excursions.

IX. Consolidated 3500 Series Safety Valves

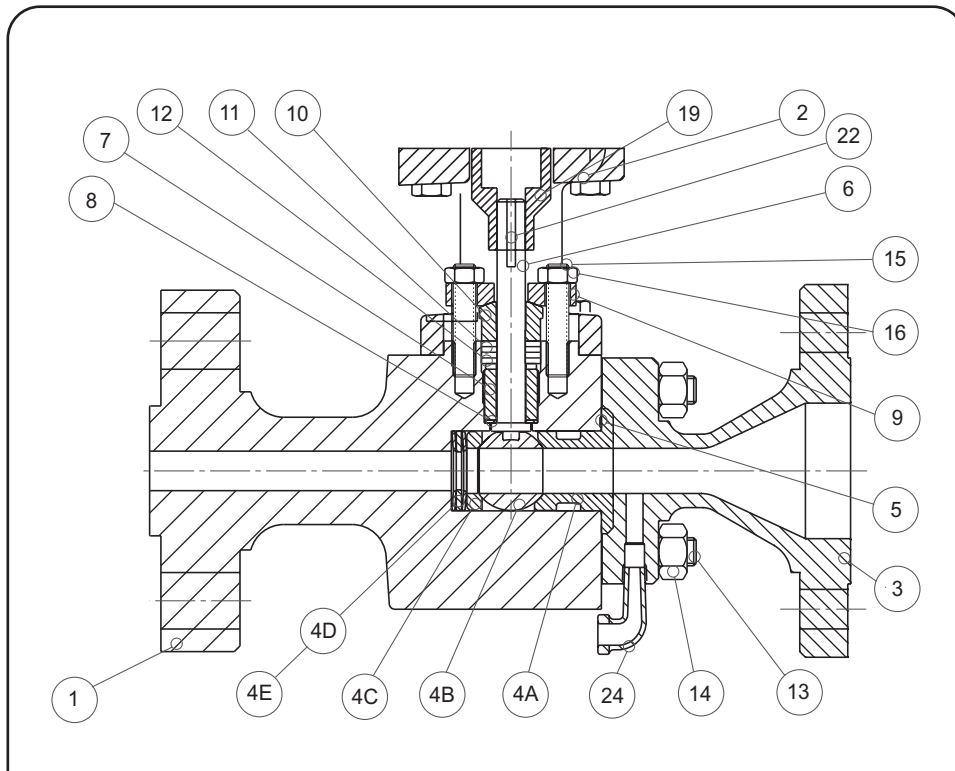


Figure 2: 3500 Valve Typical Flange Inlet.

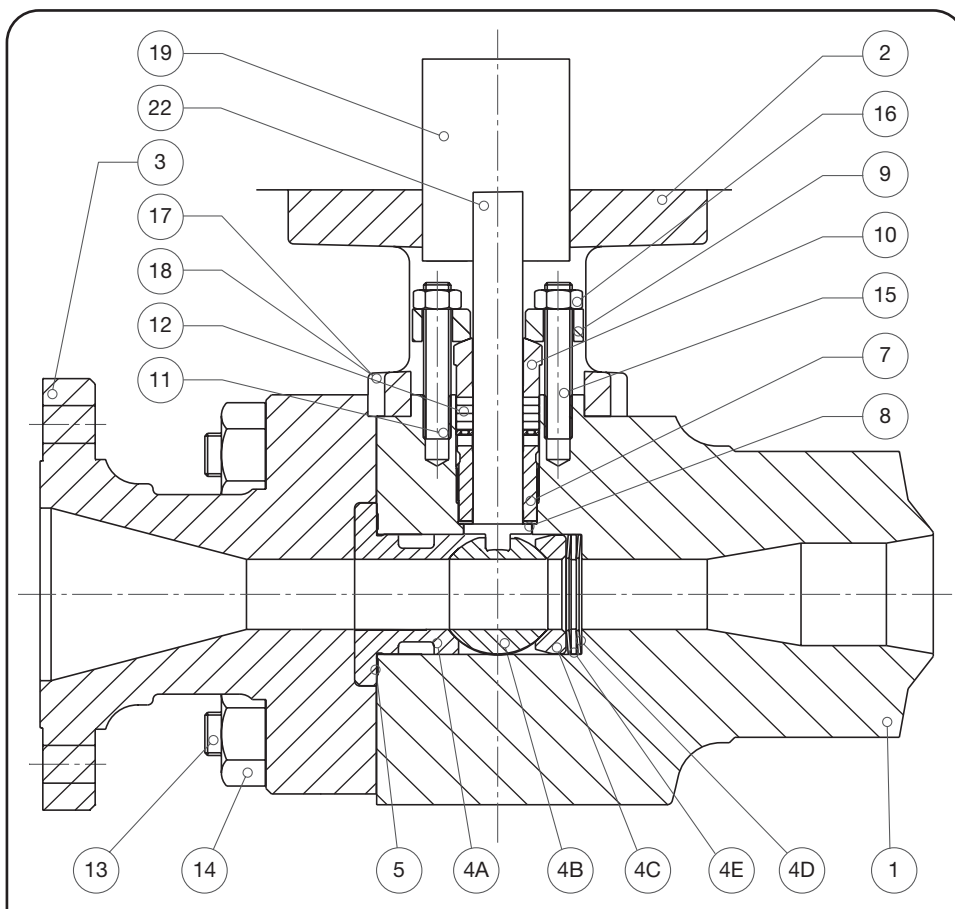


Figure 3: 3500 Valve Typical Butt-weld Inlet.

Part No.	Nomenclature
1	Body
2	Yoke
3	Discharge Collar
4	Ball and Seat Assembly
4A	Seat
4B	Ball
4C	Loader
4D	Belleville Washer
4E	Split Spacer Ring
5	Gasket
6	Stem
7	Stem Nut
8	Bearing Washer
9	Packing Gland Flange
10	Packing Gland
11	Packing Ring
12	Packing Stop Washer
13	Discharge Collar Studs
14	Discharge Collar Nuts
15	Stud Packing Gland
16	Nut Packing Gland
17	Cap Screw Yoke/ Body
18	Lock Washer Yoke/ Body
19	Drive Bushing
20	Cap Screw Yoke/ Actuator
21	Lock Washer Yoke/ Actuator
22	Key Stem
23	Set Screw
24	Drain
25	Actuator Assembly
25A	Actuator

IX. Consolidated 3500 Series Safety Valves (Cont.)

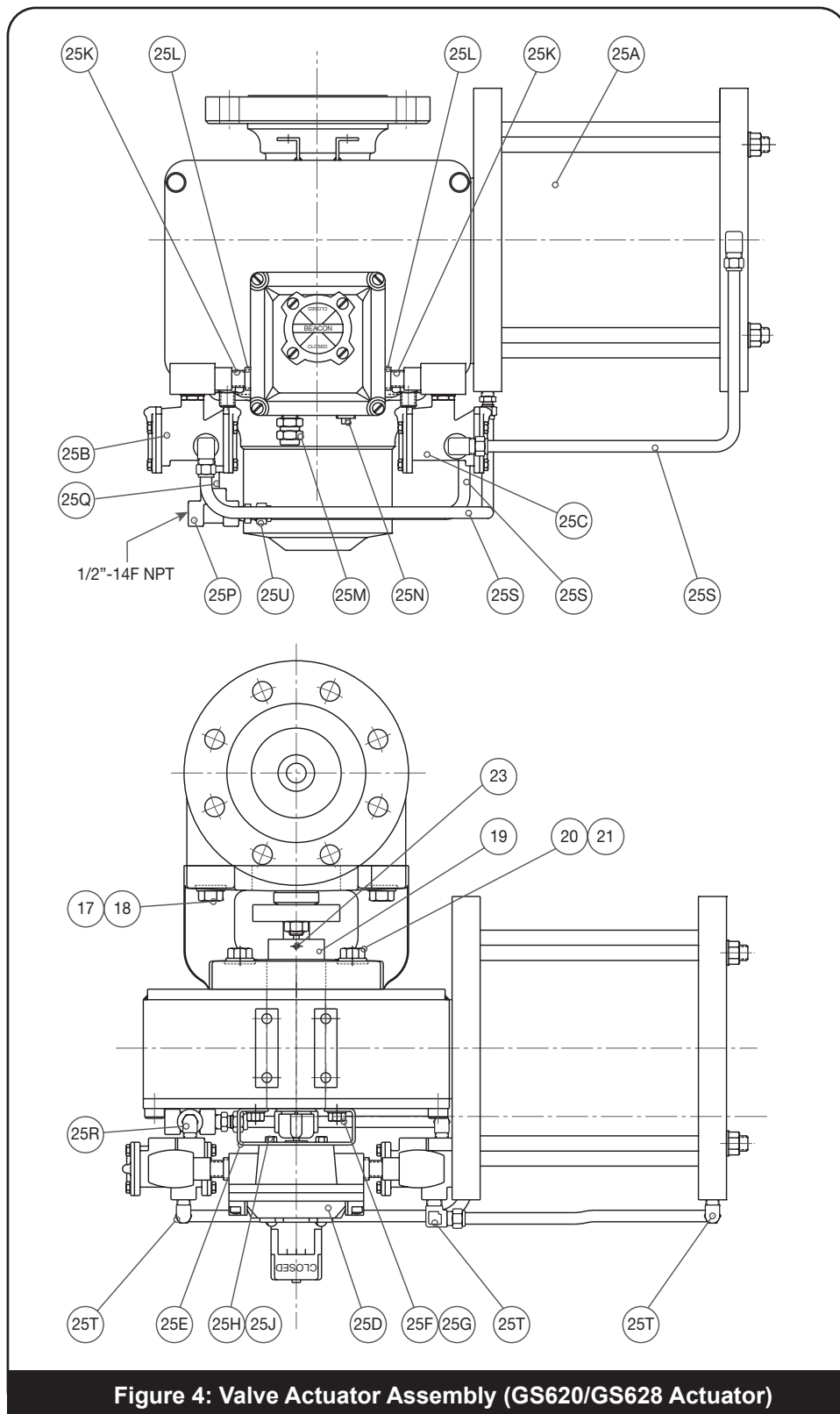


Figure 4: Valve Actuator Assembly (GS620/GS628 Actuator)

Note: The drive bushing that connects the LEDEEN GS620 and 628 actuators with the stem of the ball valve may float up inside the actuator during re-assembly. A temporary application (during disassembly), of duct-tape or a 4" hose clamp will hold it in position with about 3/4 of an inch of bushing showing below the actuator. Following re-assembly remove any duct-tape or hose clamp from the drive bushing and ensure that the drive bushing set screw is tight.

Part No.	Nomenclature
25B	Solenoid (Open)
25C	Solenoid (Closed)
25D	Position Switch
25E	Bracket
25F	Cap Screw Bracket/ Actuator
25G	Lock Washer Bracket/ Actuator
25H	Cap Screw Bracket/ Switch
25J	Lock Washer Bracket/ Switch
25K	Close Nipple Pipe
25L	Flush Bushing
25M	Conduit Fitting Straight
25N	Pipe Plug
25P	Tee Pipe
25Q	Nipple Pipe 6" Length
25R	Elbow Pipe
25S	Tubing
25T	Tube Fitting Union Elbow
25U	Tube Fitting Union
25V	Male Branch Tee
25W	Male Run Tee
26	Pressure Regulator
27	Filter
28	Nipple Pipe 3" Length
29	Check Valve
30	Cross Pipe
31	Hex Nipple Pipe
32	Thread Protector
33	Rupture Disc

IX. Consolidated 3500 Series Safety Valves (Cont.)

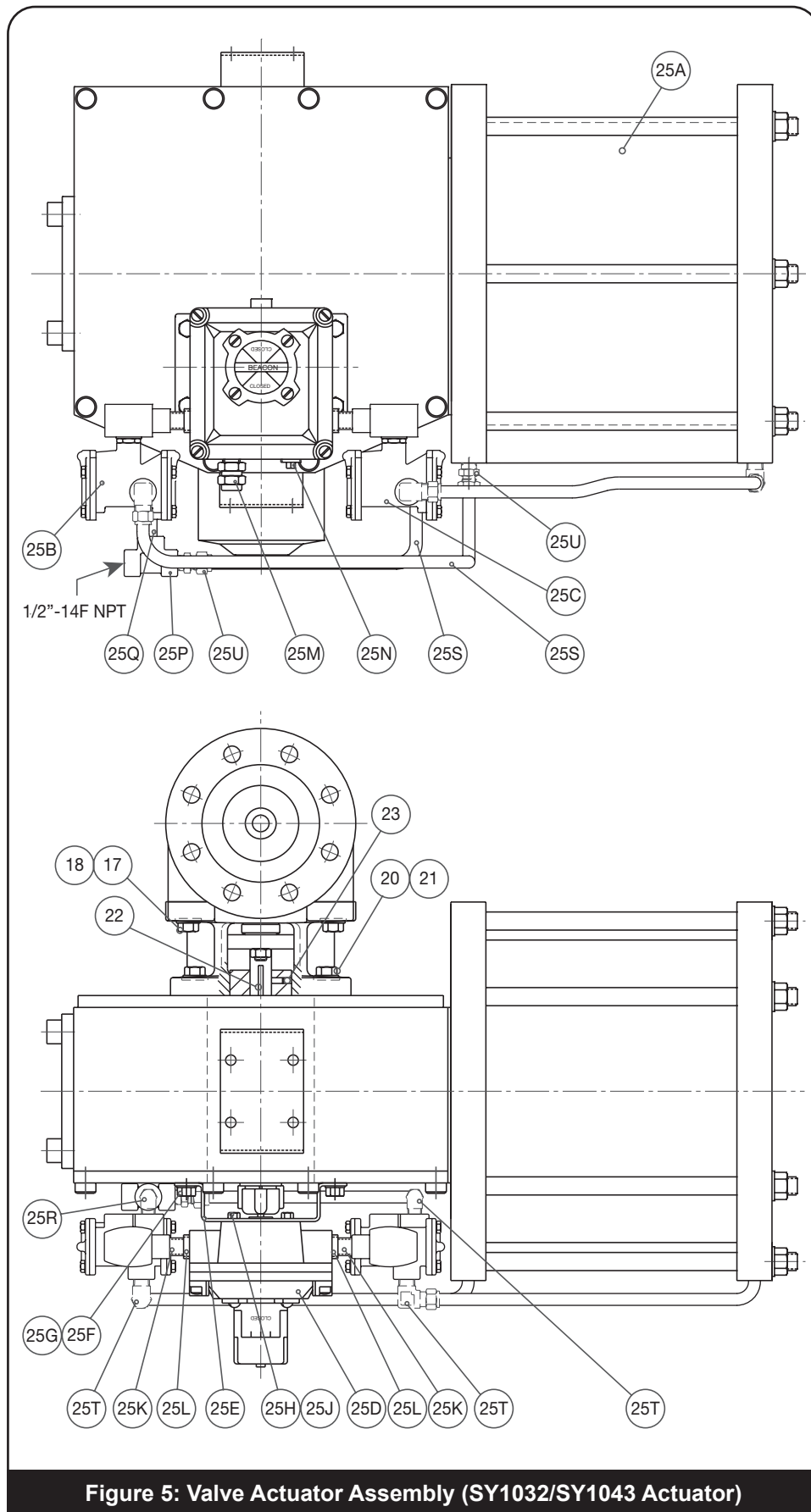
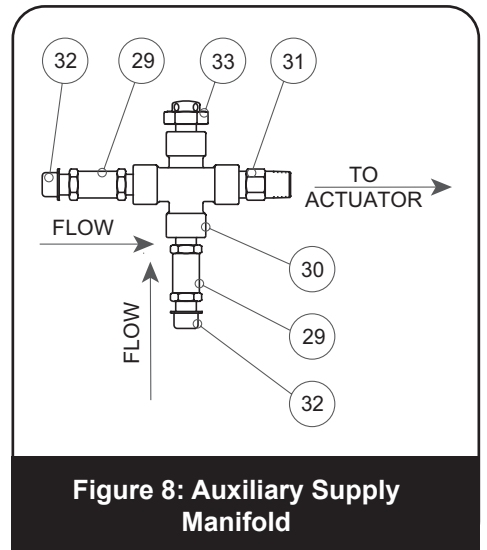
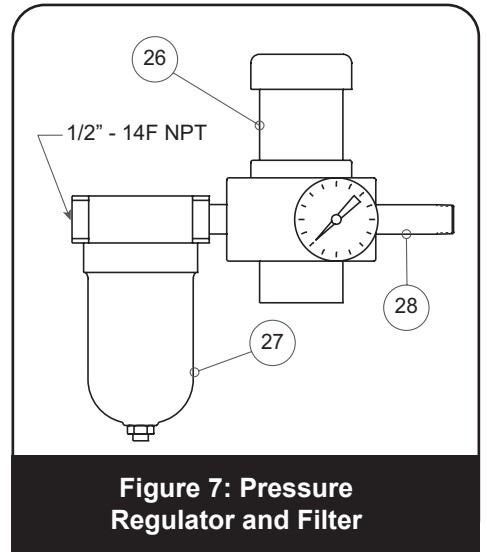
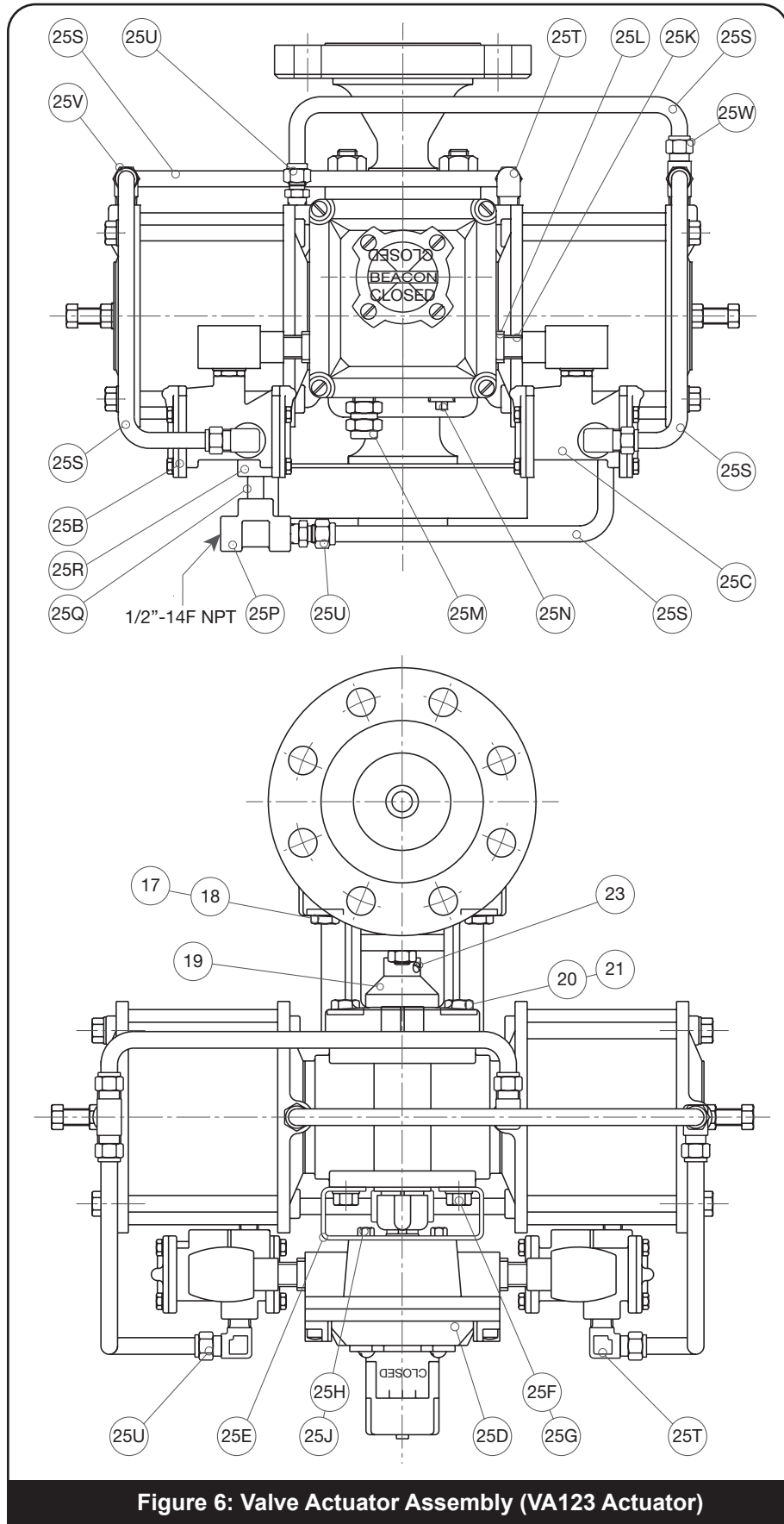


Figure 5: Valve Actuator Assembly (SY1032/SY1043 Actuator)

IX. Consolidated 3500 Series Safety Valves (Cont.)



X. Operating Principles

Digital Controller Retrofit for 3500-1/2/3 EBV MVC-5000 Digital Controller

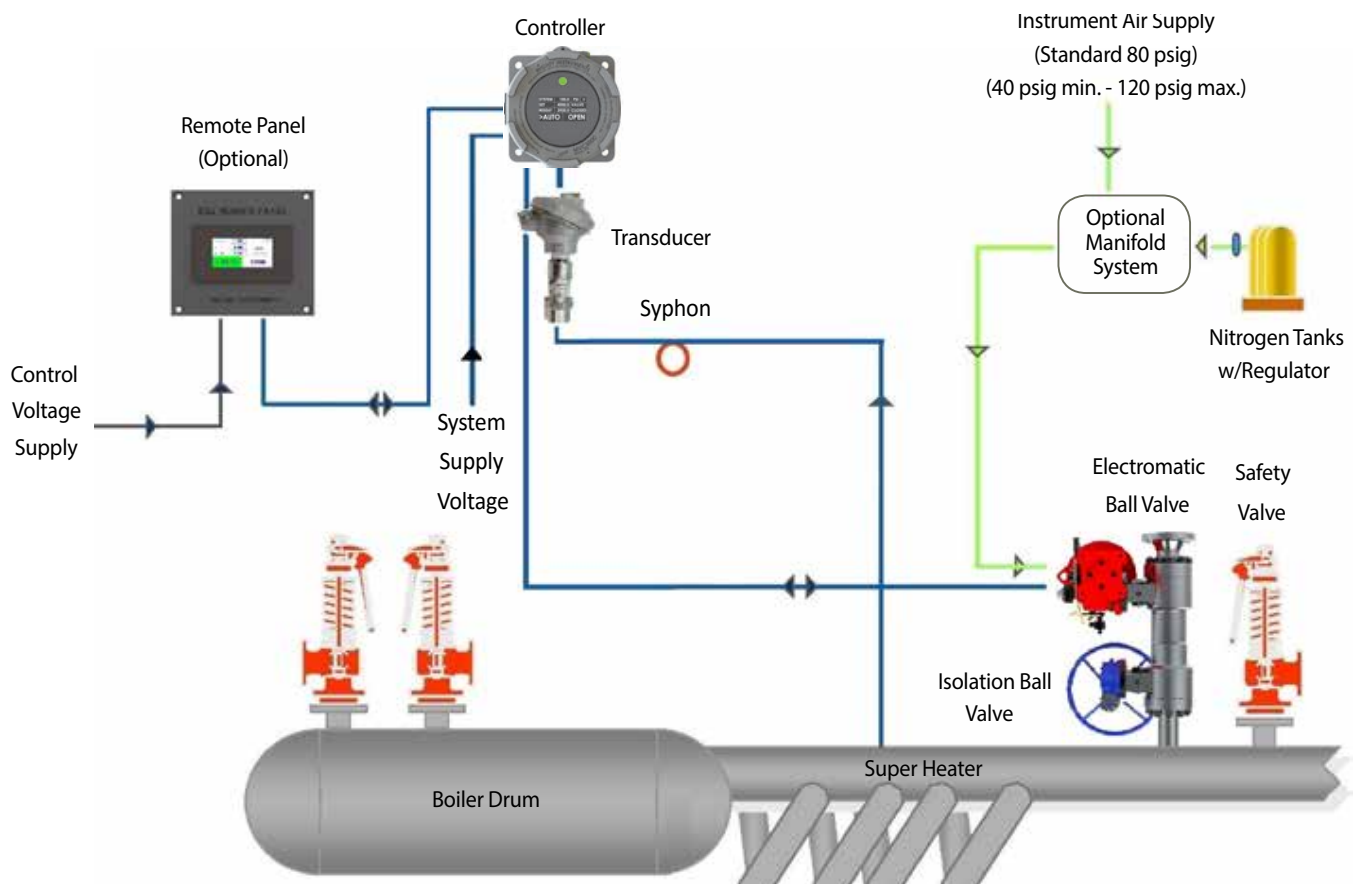


Figure 1: Typical Electromatic Ball Valve System

In the “PARV” configuration, the MVC-5000 operates as a sophisticated digital pressure switch. While continuously monitoring process pressure through a high-precision ADC, the MVC-5000 automatically operates a power actuated relief valve according to the user’s programmed set pressure and blowdown criteria. This configuration can be used to control ASME and non-ASME capacity certified EBVs. The EBV configuration also includes provisions for DCS and manual override. For more information please visit the following links:

MVC-5000 GENERATION 1 (Produced before August 2018)

Datasheet:

[https://a-tcontrols.com/Documents/2064/MVC-5000%20Datasheet%20GE%20R5%20\(new\).pdf](https://a-tcontrols.com/Documents/2064/MVC-5000%20Datasheet%20GE%20R5%20(new).pdf)

IOM:

<https://a-tcontrols.com/Documents/2065/MVC-5000PARV%20-%20IOM%20R6.pdf>

MVC-5000 GENERATION 2 (Produced after August 2018)

Datasheet:

<https://a-tcontrols.com/Documents/1787/MVC5000%20PARV%20Catalog-20181004.pdf>

IOM:

https://a-tcontrols.com/Documents/1792/IOM08085%20-%20MVCG2%20PARV_Rev02.pdf



Digital Controller

X. Operating Principles (Cont.)

External Switchbox

The ASME certified MVC-5000 housing is sealed closed after installation, leaving the local touch screen inaccessible in normal operating conditions. The MVC-5000 switch box is a simple bolt-on that outfits the MVC with local hand controls so that the operator can control the device without removing the cover. Each box contains a three position, normally closed, selector switch. Two positions initiate commands (AUTO and OPEN), while the third mid position removes both commands from the MVC so that other devices may take control.

- Ingress Protection: NEMA 4X, IP66



**Digital Controller
with External Switchbox**

Remote Panel Options

The remote panels, which are offered in two varieties (DCS push buttons and Modbus touchscreen), are small units that can be mounted on the plant control panel. The DCS control station is hardwired to the MVC's discrete I/O, while the Modbus control station is connected to the MVC's RS-485 serial port. Both versions provide for remote control and communication with the MVC-5000.

DCS Remote Panel

The DCS remote panel consists of two lights and a three position switch. The Open and Closed lights indicate actual valve position. The selector switch is used to command the controller either in Auto Mode or Open Mode. In Auto Mode, the controller operates the valve autonomously in response to system pressure. In Open Mode, the controller manually opens the valve, regardless of system pressure.

- Ingress Protection: IP65 (panel mounted)



**DCS
Remote Panel**

Modbus Touchscreen Remote Panel

The Modbus touchscreen remote panel consists of a 3.5" color touchscreen, which duplicates the local MVC-5000 touchscreen display. Commands and feedback are sent through the MVC-5000's RS-485 Modbus link. Auto/open Modes and device configuration parameters can all be set from the Modbus control station. Set/Reset and actual system pressure are also relayed to the control station for remote readout.

- Ingress Protection: IP66 (panel mounted)



**Modbus
Touchscreen
Remote Panel**

X. Operating Principles (Cont.)

Electrical System

The EBV is a 90 degree turn "open to close," electrically controlled, pneumatically actuated relief valve. Automatic actuation at a predetermined set pressure is accomplished by a Type 3539 controller.

The field wiring must have insulation suitable for at least 600 volts.

The Type 3539 controller is actuated by the pressure in any vessel to which it is connected. The construction of the controller is such that it will make and break electrical contact with a difference in pressure of 1-1/2% of the "set pressure." Within the controller (see Figure 9) is the dual control pressure switch.

Adjusting screws A and B determine the operating point of each switch. When the pressure increases to the "set point," high pressure switch C is actuated and

completes the relay circuit that energizes the valve solenoid. The low pressure switch D then provides for relay control below the actuation value of the high pressure switch, thereby allowing an adjustable blow down for the Electromatic Valve. This action makes extremely sensitive regulation possible.

The Type 2537 control station, which includes a switch and two lights, is a small unit that can be mounted in a control panel.

The control station is electrically connected to the Type 3539 controller. With the control station Switch in the "automatic" position (see Figure 10), the "amber" light turns on and remains on until the valve is opened.

When the pressure reaches the predetermined point, at which the valve is set to open, contact is made in the Type 3539 controller, resulting in the relay closing.

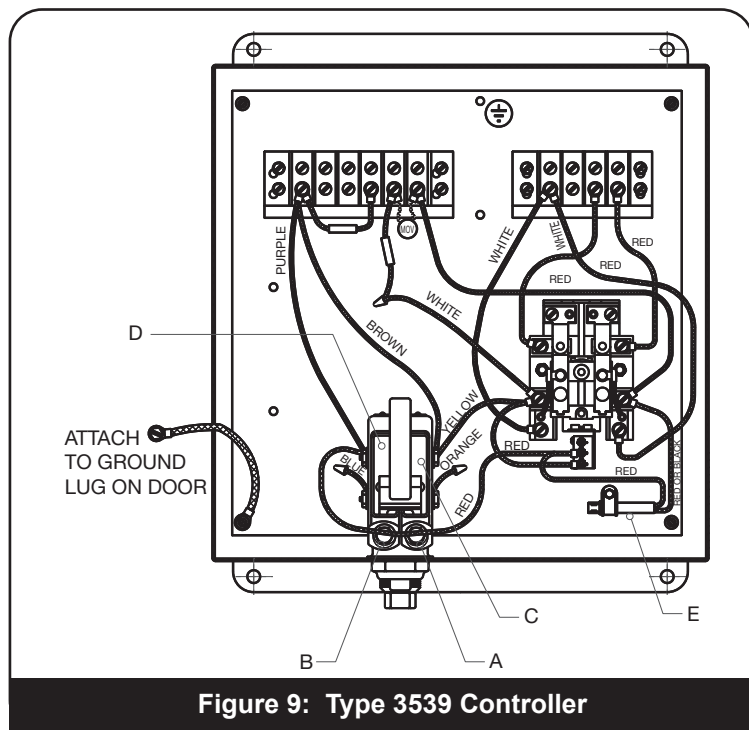


Figure 9: Type 3539 Controller

Accordingly, the solenoid valves are energized, and the valve opens. At this time the "red" light in the Type 2537 control station turns on which indicates that the valve is open. When the pressure decreases below the adjusted closing point of the valve, the relay de-energizes and this, in turn, de-energizes the solenoid valves, and causes the valve to close. The "red" light in the Type 2537 control station will then go off, and the "amber" light will go on. The lights on the control station are controlled by a position switch on the actuator.

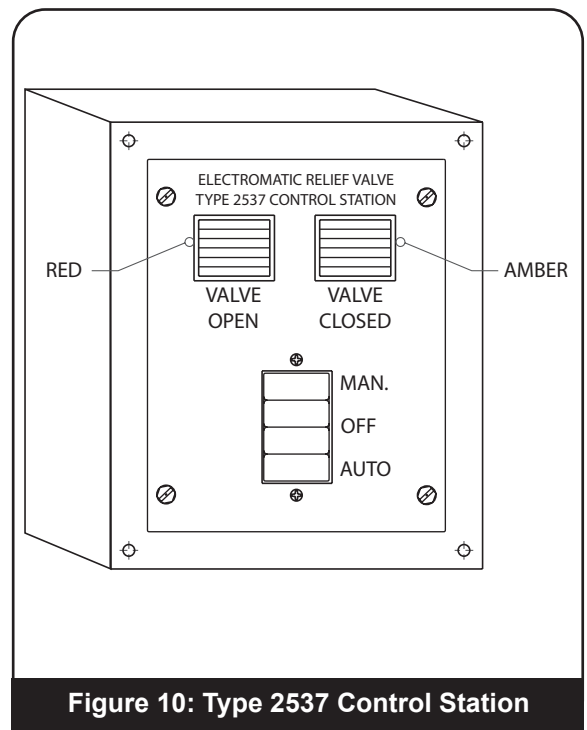


Figure 10: Type 2537 Control Station

When it is desirable to open the valve "manually," this can be accomplished by simply pushing the Control Station Switch to the "manual" position. To close the valve, it is only necessary to push the control station switch to the "off" position.

Note: Remember that when the switch is in the "automatic" position, the valve will open at the predetermined pressure for which it is set.

XI. Recommended Installation Practices

A. Main Valve

The power actuated relief valve is customarily installed either on a superheater, or on a manifold fed by two or more boilers. To facilitate servicing, an isolation valve should be installed directly below the main valve, as shown in Figure 11. (Refer to ASME Code Restrictions for code stamped valves).

Care should be taken to ensure that mechanical strains from the discharge piping are not transmitted to the EBV. Such strains are detrimental to good valve performance. The discharge pipes should have adequate steam capacity and should be of a size to provide for movement caused by thermal expansion. Discharge piping should be drained to prevent the accumulation of water in the valve outlet. At no time should the discharge piping bear against the drip pan, or the nipple therein. The riser piping should be securely anchored to the building structure, and never to the valve, in order for it to resist the reactive forces of the discharged steam. The drains should be piped in such a manner as to prevent the unnecessary escape of steam into any enclosure, and to keep foreign material from being blown back into the valve from other sources (Refer to Figure 11).

Cover the main valve outlet, during system shut downs, when the valve is not in service, or is not pressurized, to prevent foreign matter from entering into the main valve.

B. Type 3539 Controller

Care must be taken in mounting the controller, since it will not operate properly if subjected to vibration. It is recommended that the controller be mounted directly to the building structure and, depending on the installation, it may even be advisable to mount the controller on some type of shock absorbing material, in order to isolate it from the any vibration in the building structure. Since the sensing line from the pressure vessel may also transmit vibrations to the controller, precautions should be taken to eliminate this possibility.

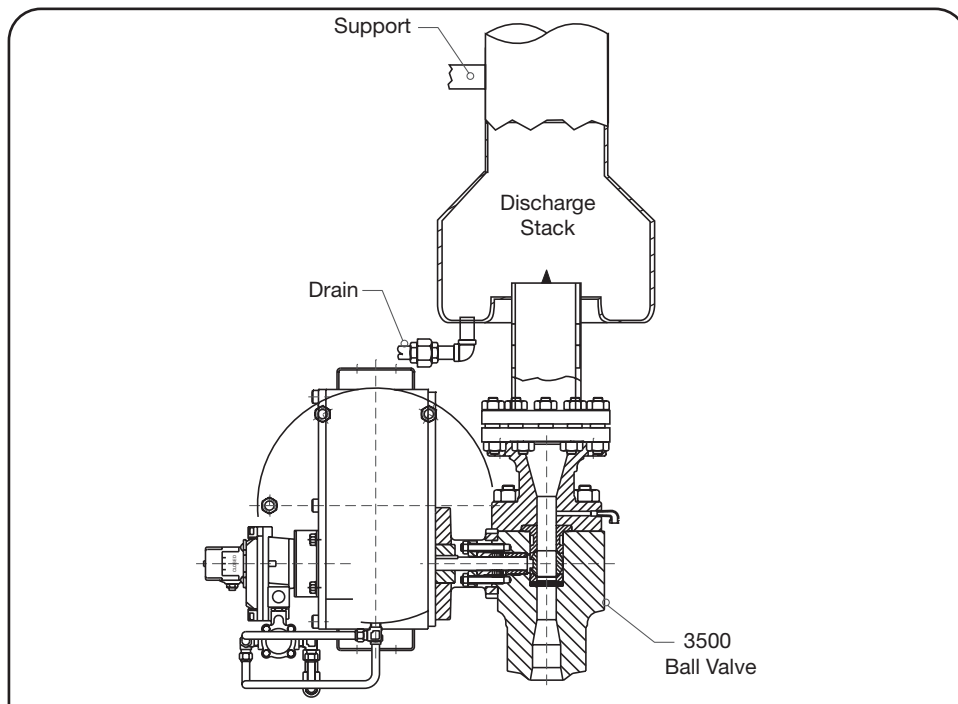
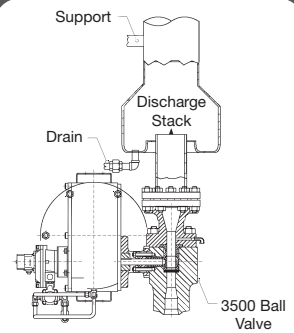


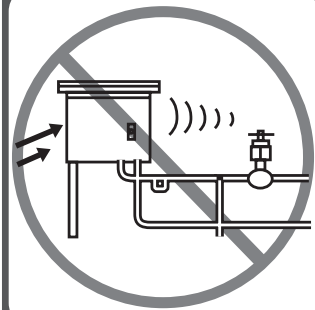
Figure 11: Recommended Exhaust Stack Installation

ATTENTION



Wear necessary protective equipment to prevent possible injury

ATTENTION



Before disassembling the valve, ensure there is no media pressure in the vessel.

DANGER



Valve caps and bonnets can trap fluids. Use caution when removing to prevent injury or environmental damage.

XI. Recommended Installation Practices (Cont.)

Baker Hughes suggests that several loops of high-pressure tubing be used to accomplish this task. Further, the pressure sensing connection should be mounted at least eight to ten pipe diameters upstream from the EBV in order to provide a stable pressure signal. Finally, if the controller may be subjected to freezing temperatures, a heating element should be added to prevent freezing of the bourdon tube.

C. Required Wire Gauge

The electrical supply to the controller (solenoid voltage) should have stranded wiring. The wire should be no smaller than 12 AWG. If necessary, the wire should be larger than 12 AWG, to prevent more than a 5% voltage drop to the solenoid inrush current.

Type	Voltage	Frequency	Amperage
3500 Ball Valve	100 – 240 AC	50 – 60 Hz	.3
	24,48,100 – 240 DC	N/A	1.0

WELDING CAUTION

This valve contains a ball and seat assembly that has been coated for wear resistance and may be damaged if exposed to elevated temperatures associated with welding and post weld heat treatment. Welding interpass temperatures should be in compliance with ASME B&PV Code Section IX but should not exceed 570°F (299°C). Local post weld heat treatment of the weld and heat affected zone is recommended. If this entire valve body is to receive post weld heat treatment, the ball and seat assembly should be removed. The bushing gasket must not be reused after disassembly. Refer to valve service manual of disassembly and assembly instructions.

D. Cable - Special Conditions of Use

In order to prevent mechanical damage of the un-armored cable, the equipment shall be installed, so far as practical, in a position that will prevent exposure to mechanical damage.

F. ASCO Solenoid - Special Condition of Use

The flameproof joints are not intended to be repaired.

E. Limit Switch Enclosure - Special Condition of Use

The hexagonal head cover screws on the Topworx® limit switch enclosure are to be replaced only with stainless steel A2-70 or A4-80 screws to ISO 35061.

The cover fasteners on the Topworx® limit switch enclosure are to be tightened to a torque value of 10.85 Nm (8ft/lbs) minimum.

XII. Disassembly of 3500 Series Safety Valve

CAUTION:

Make sure that no pressure is in the valve prior to disassembly. If equipped with an isolation valve, close the isolation valve and actuate the EBV valve open and closed to remove all pressure. If not equipped with an isolation valve, the unit must be shut down prior to disassembly.

A. Ball, Seat and Loader Assembly Removal

Refer to Figures 2 and 3

1. If the ball, seat and loader assembly is to be removed while on the unit and the installation is equipped with an isolation valve, close the isolation valve. Actuate the EBV from open to close to relieve any pressure between the EBV and the isolation valve, if not equipped with an isolation valve, the unit must be shut down prior to disassembly.
2. If disassembling on the unit, remove the discharge stack. If the valve is not in the closed position.
3. Loosen and remove the body stud nuts.
4. Lift the discharge collar off the valve.
5. Two threaded holes are provided so that a bolt or all-thread can be used to remove the seat. The 1.5" (38.1 mm) and 2" (50.8 mm) size valves are tapped with a #10-32 thread. The 2.5" (63.5 mm) size valves are tapped with a 0.25" (6.35 mm)-20 thread. Screw two bolts or two pieces of all-thread into the threaded holes. Lift the seat out of the body.
6. Using two lifting hooks illustrated in Figure 12, remove the ball. This is accomplished by inserting the hooked end into the flow port of the ball and lifting upward.
7. Insert the hook end of one of the lifting hooks under the sear loader and rotate the loader until it's bore is perpendicular to the body bore. Lift the loader up and out of the body.
8. Remove the Belleville washer and the split ring spacer.

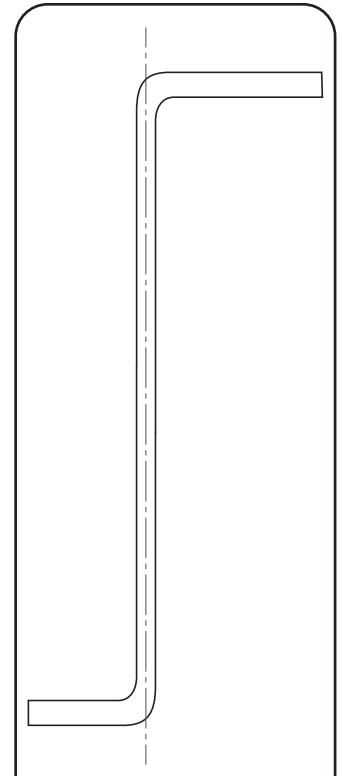


Figure 12: Ball Placement and Removal Tool (Make Locally)

CAUTION:

Do not actuate the valve with the collar removed. Damage to the ball may result.

B. Actuator Assembly Removal

Refer to Figures 4, 5 or 6

1. Shut off the service air line and disconnect it from the actuator.
2. Shut off the electrical supply to the actuator mounted Westlock switch. Disconnect electrical wires and conduit coming from the controller to the Westlock switch.
3. Attach a strap sling around the cylinder portion of the actuator at the end near the housing.

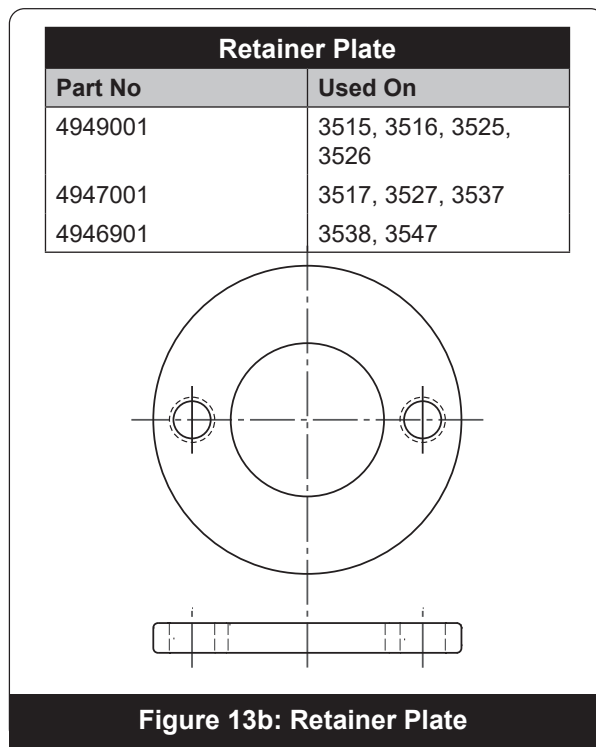
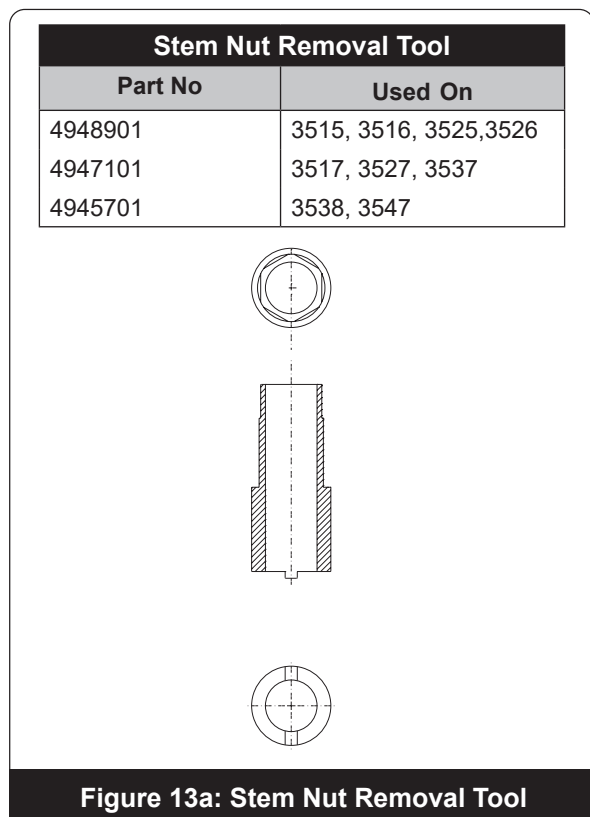
Note: Do not connect a lifting device to the Westlock switch, solenoid valves or tubing. Hook a chain hoist or other suitable lifting device to the strap sling. Adjust the hoist until no slack is in the line. Loosen and remove the four actuator mounting bolts connecting the yoke to the valve body. Slide the actuator and yoke assembly away from the valve until the mounting yoke is clear of the drive bushing.

XII. Disassembly of 3500 Series Safety Valve (Cont.)

C. Stem Removal

Refer to Figures 2 and 3

1. Apply a temporary piece of duct-tape or a 4" (101.6 mm) hose clamp to the drive bushing to prevent it from floating up into the actuator. Approximately .75" (19 mm) of the drive bushing should show below the actuator.
2. Loosen the allen head set screw in the drive bushing. Slide the bushing off the stem and remove the drive key.
3. Loosen and remove the two packing gland stud nuts. Remove the packing gland flange and the packing gland.
4. Using a wire hook or screw driver, dig out the 316 stainless steel with flexible graphite fillers (spiral wound) packing. The packing stop washer is drilled and tapped with two #10-32 threaded holes. Screw a piece of all-thread or a #10-32 screw approximately 3" (76.2 mm) long into one of the holes in the packing stop ring. Slide the packing stop ring off the stem. The stem nut can now be removed using the stem nut wrench, illustrated in Figure 13a and 13b. Rotate the nut counterclockwise to remove it.



5. Remove the stem and bearing washer from the body.

D. Cleaning

The 3500 Series EBV Valve parts may normally be cleaned with wire brushes, and low pressure air. Whatever method is used, clean the parts safely and use care to prevent damage to the environment. If internal parts are cleaned with industrial solvents or cleaning solutions, take precautions to protect yourself from potential danger of breathing fumes, chemical burns, or explosion. See the manufacturer's Safety Data Sheet for safe handling instructions and information about protective clothing and equipment for use when working with the chemical.

The outside surfaces of the actuator, Type 2537 control station, and Type 3539 controller box may be cleaned by wiping with a damp cloth.

⚠ DANGER

Follow recommendations for safe handling in the solvent's Safety Data Sheet and observe safe practices for any cleaning method.

XIII. Maintenance Instructions

A. Seat Leakage

If leakage should occur use the following procedure to determine and correct the cause:

1. Verify that the normally closed solenoid valve is energized and vented. To accomplish this, check the voltage across terminal 2 and 3 in the actuator junction box. There should be voltage at these terminals when the valve is closed. If no voltage is present, check continuity across terminals 3 and 4. There should be continuity across these terminals when the valve is closed. If there is no continuity, adjust the closed side actuator switch lever cam until the circuit is closed. Actuate the valve and check for leakage.
2. If the switch is properly adjusted and leakage continues, the ball and seat assembly must be removed and checked. The valve must be isolated from system pressure before it can be disassembled. Using the procedures outlined in the disassembly section of this manual remove the adapter flange, ball, and seat assembly. Inspect the spherical radius in the seat for cutting or flaking of the chrome carbide. Inspect the spherical radius of the ball for cutting or flaking of the chrome carbide. Very light flaking at the edge of the bore is acceptable. If the seat is damaged and the ball has galling or flaking of the carbide coating the entire ball and seat and loader assembly must be replaced. Remove the old gasket and clean the gasket surfaces of the body and the bushing. Reassemble the valve using the procedures outlined in the assembly section of this manual. Pressurize and actuate the valve. Check for leakage.
3. If a new ball, seat and loader assembly has been installed and the valve still leaks, the stem bearing pad must be replaced. Refer to the disassembly and assembly section of this manual for disassembly and assembly instruction. The valve must be isolated from system pressure when removing and replacing the stem bearing pad. New packing must be installed each time the stem is removed.

B. Packing Leakage

Should packing leakage occur, tighten the two packing nuts in the quarter turn increments. Check after each quarter turn adjustment to see if leakage has stopped. The packing should be tightened only enough to stop the leakage.

If the leakage can not be stopped by tightening the gland nuts, the valve should be repacked with new packing. The valve can be repacked without removing the actuator and actuator yoke if split ring service ring packing is used. Refer to Table 2 for part numbers. The EBV can also be repacked with 316 stainless steel⁽¹⁾ rubber pack. If the EBV is equipped with an isolator valve it must be closed to isolate the EBV. Open the EBV from open to closed to relieve pressure with an isolation valve, the unit must be shut down.

Loosen the packaging gland bolts one full turn. Wait approximately two minutes to verify that the gland and flange does not move and reload the packing gland nuts. Loosen the actuator drive bushing lock screw and move the bushing away from the packing gland flange enough to slow removal of the packing gland slud nuts. Move the packing gland flange and packing gland away from the stuffing box until the flange contacts the yoke. Using a wire hook similar to the one illustrated in Figure 12, or a packing remover, remove the 316 stainless steel¹ packing from the stuffing box. Place the split ring packing around the stem below the packing gland. Use the gland to position the packing in the stuffing box. The correct number of rings is specified in Table 2. Install the packing gland nuts and tighten. Final adjustment must be made after the valve is pressurized. Tighten just enough to prevent leakage.

1. With Flexible Graphite Fillers (Spiral Wound)

XIII. Maintenance Instructions (Cont.)

Table 2: Split Ring Service Packing

Valve Type	Part Number	Quantity
3515, 3516, 3525, and 3526	4960902	3
3517, 3527 and 3537	4960901	3
3538 and 3547	4960903	3

C. Electrical System

To inspect for proper wiring of the controller, control station and the actuator, refer to Figure 14 and 15.

If trouble is encountered in the controller, the control station or the actuator, refer to the Trouble Shooting Chart shown in Table 5.

Each block in the chart identifies a particular piece of equipment (i.e., the controller, the control station, the actuator assembly, etc.), and the terminal to check when the system is malfunctioning. Therefore, when numbers and letters, such as T7 or T8, are encountered in the Trouble Shooting Chart, these refer to specific terminals, such as 7 or 8, in a particular piece of equipment.

Note: Supply wiring should be large enough to prevent more than a 5% voltage drop to the solenoid in-rush current. A voltage drop may cause the solenoid to fail.

WIRE AWG	DIA (mm)
16	1.52
12	2.66

Note: A 5 AMP circuit breaker should be installed to protect the controller.

XIII. Maintenance Instructions (Cont.)

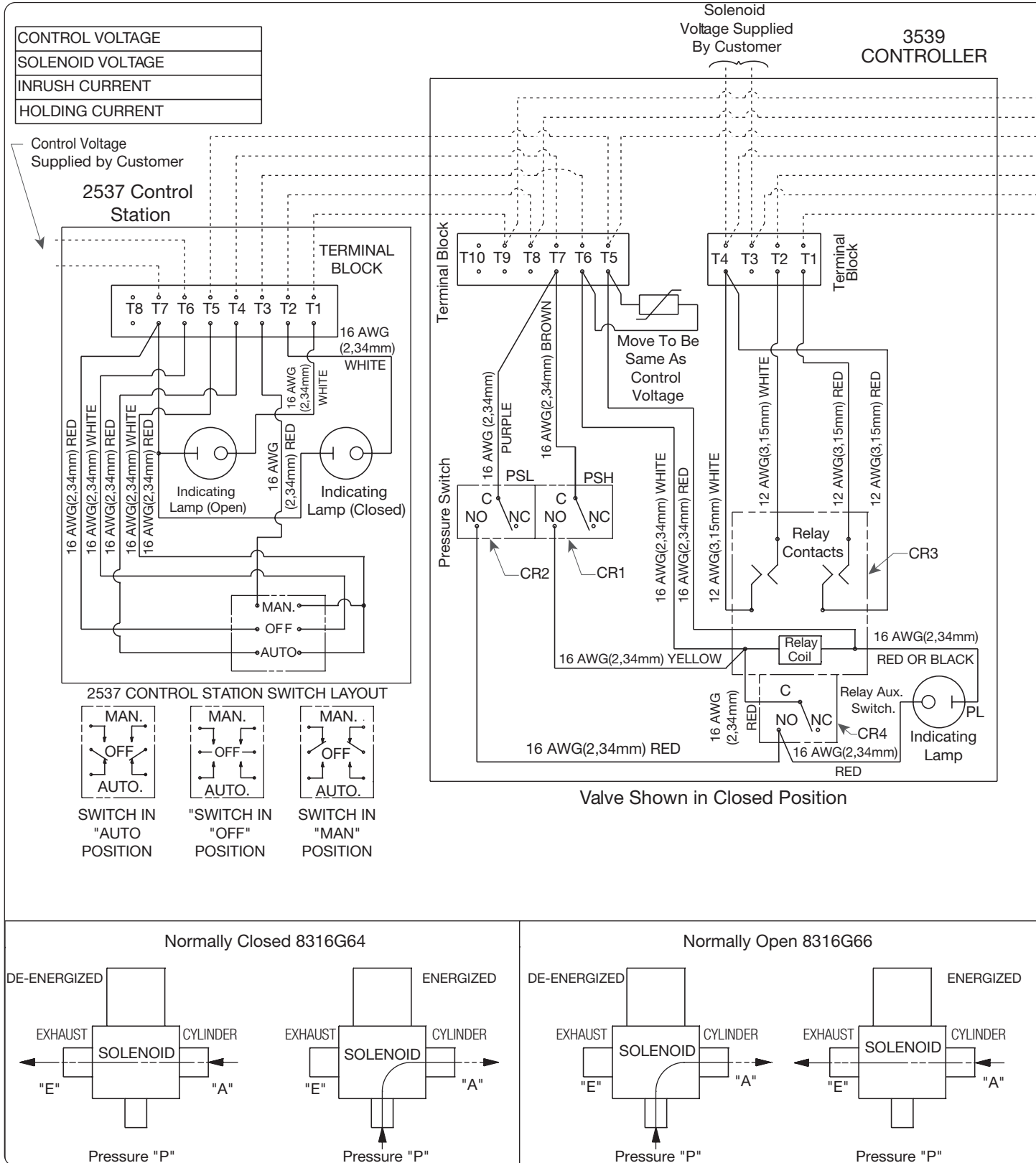
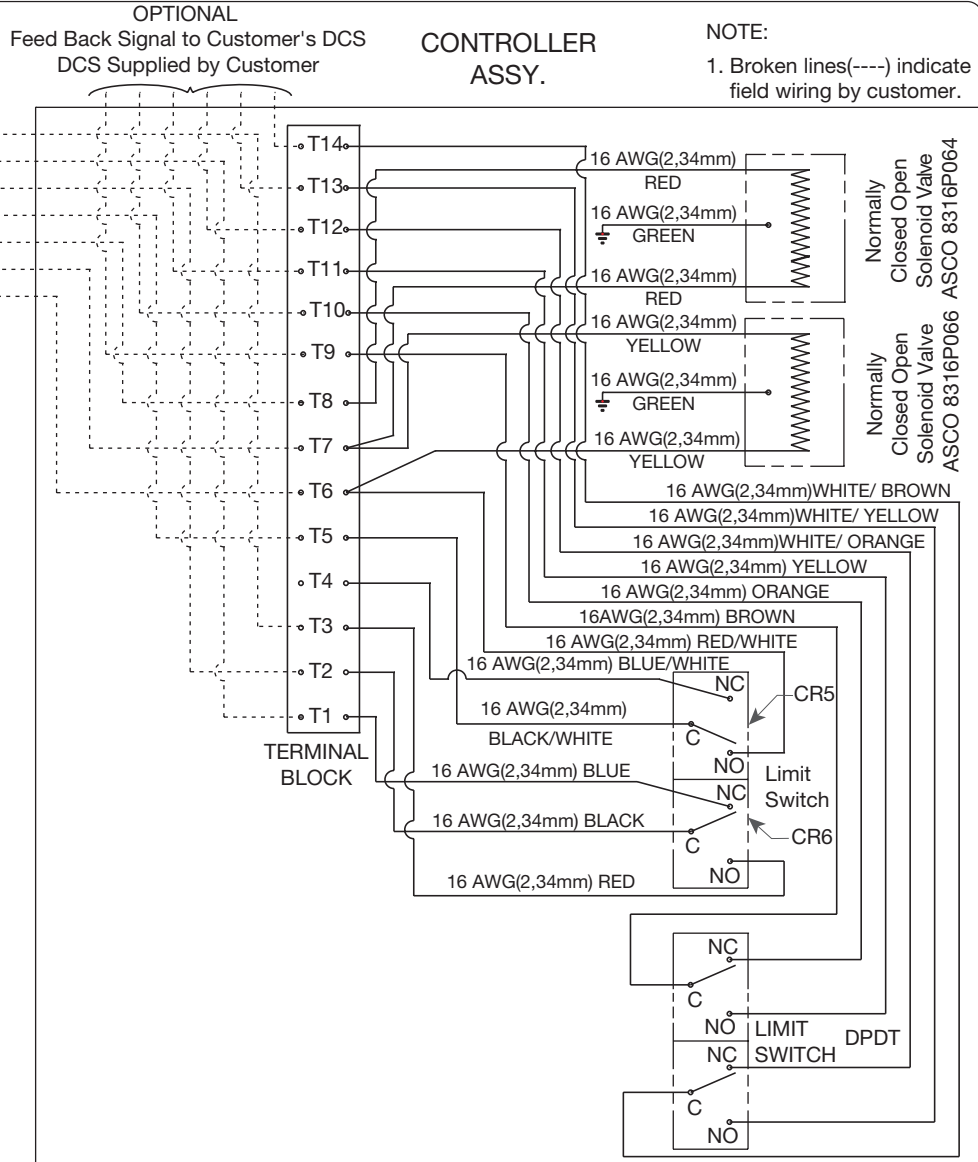


Figure 14: Schematic Wiring Diagram Electromatic Valve 120VAC, 240VAC, 24VDC, and 125VDC

XIII. Maintenance Instructions (Cont.)



----- Contact Open
 _____ Contact Closed

Opening Cycle				Closing Cycle		
Contact Relay	Valve Closed	Mid Open	Valve Open	Valve Open	Mid Closed	Valve Closed
CR1						
CR2						
CR3						
CR4						
CR5						
CR6	NC CONTACT					
	NO CONTACT					

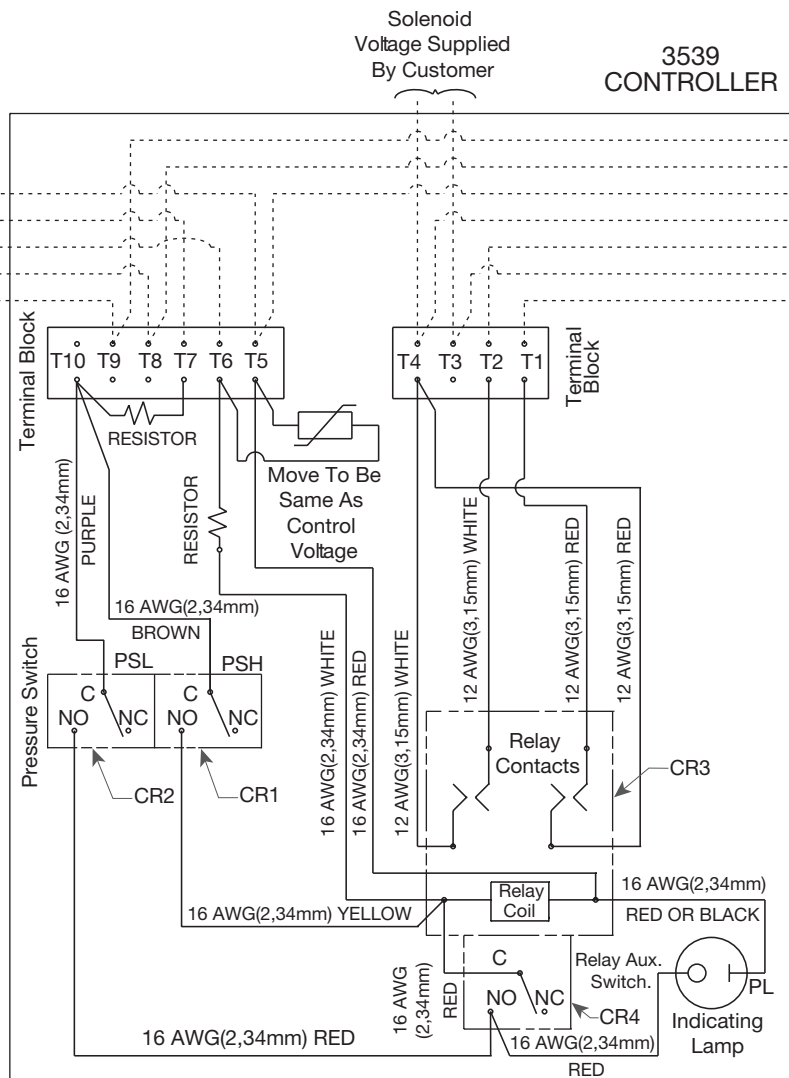
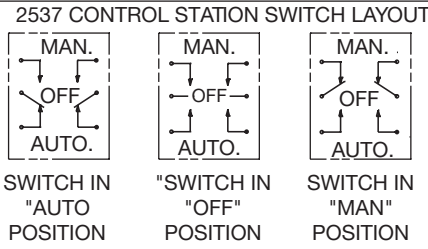
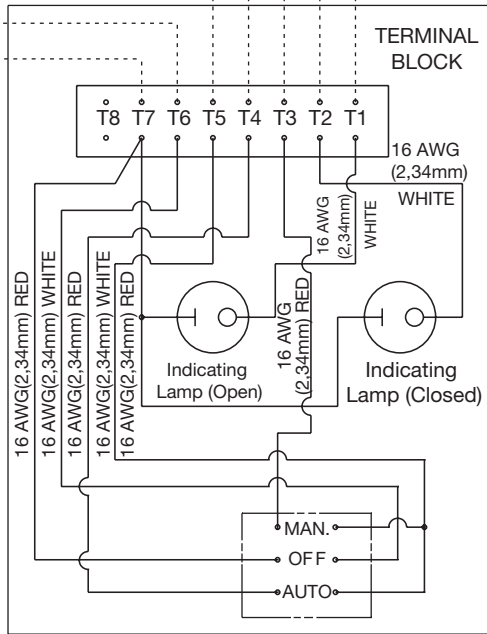
Figure 14 (Cont.): Schematic Wiring Diagram Electromatic Valve 120VAC, 240VAC, 24VDC, and 125VDC

XIII. Maintenance Instructions (Cont.)

CONTROL VOLTAGE
SOLENOID VOLTAGE
INRUSH CURRENT
HOLDING CURRENT

Control Voltage Supplied By Customer

2537 Control Station



Valve Shown in Closed Position

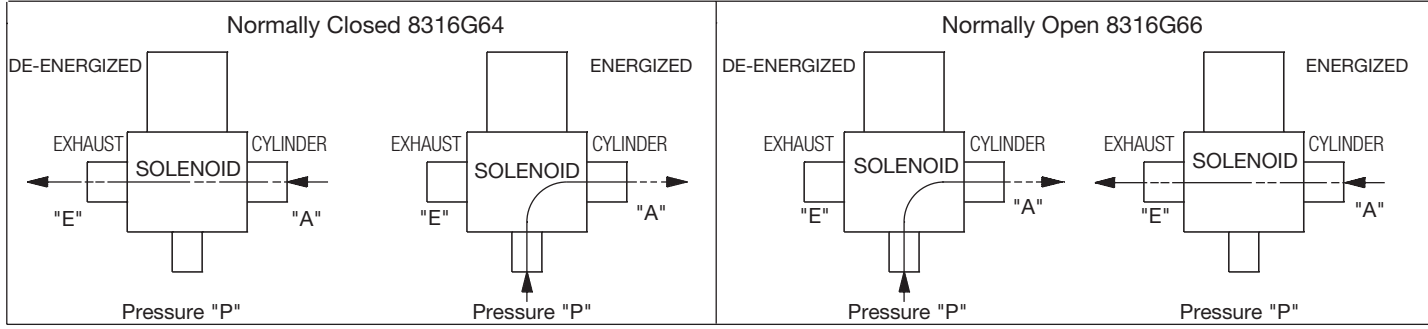
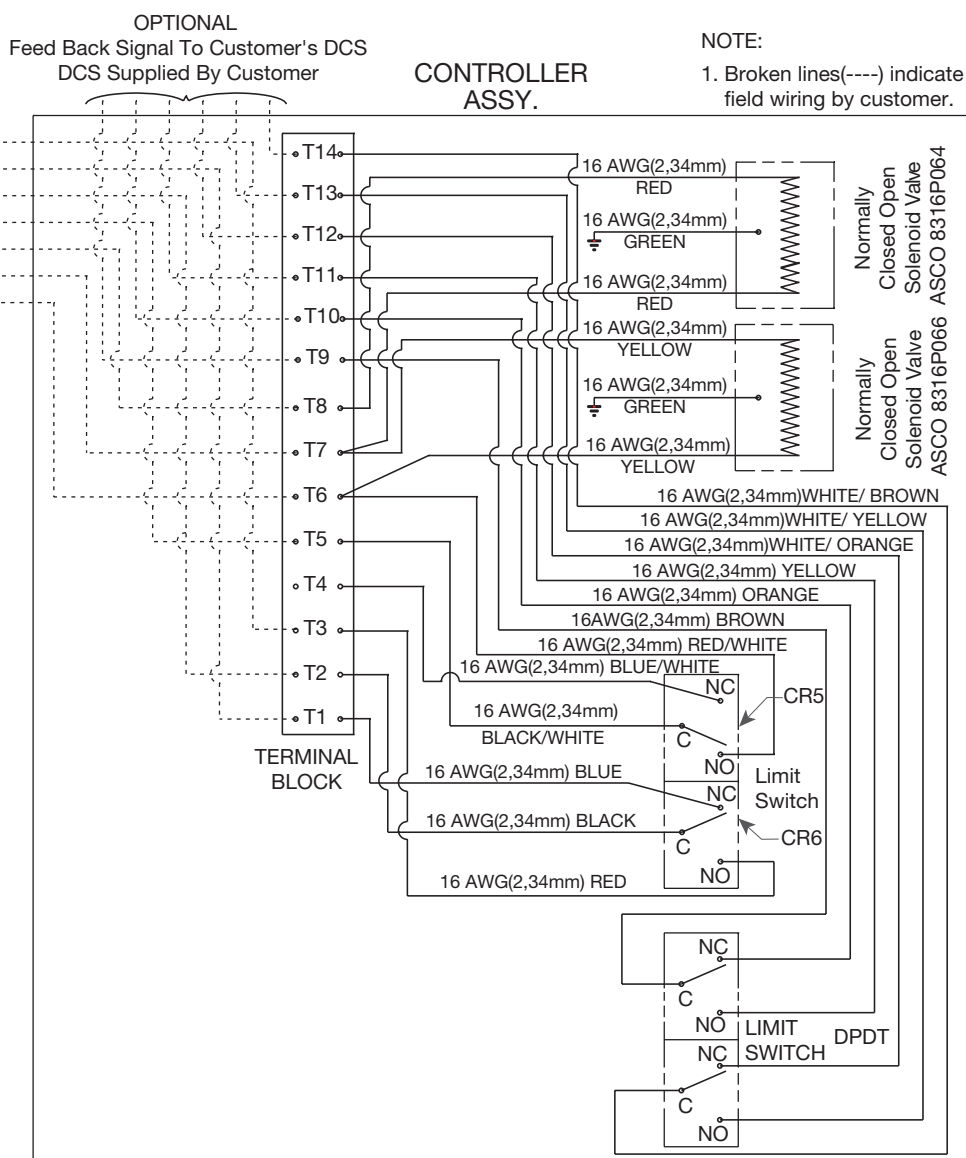


Figure 15: Schematic Wiring Diagram Electromatic Valve 220 VDC and 250 VDC

XIII. Maintenance Instructions (Cont.)



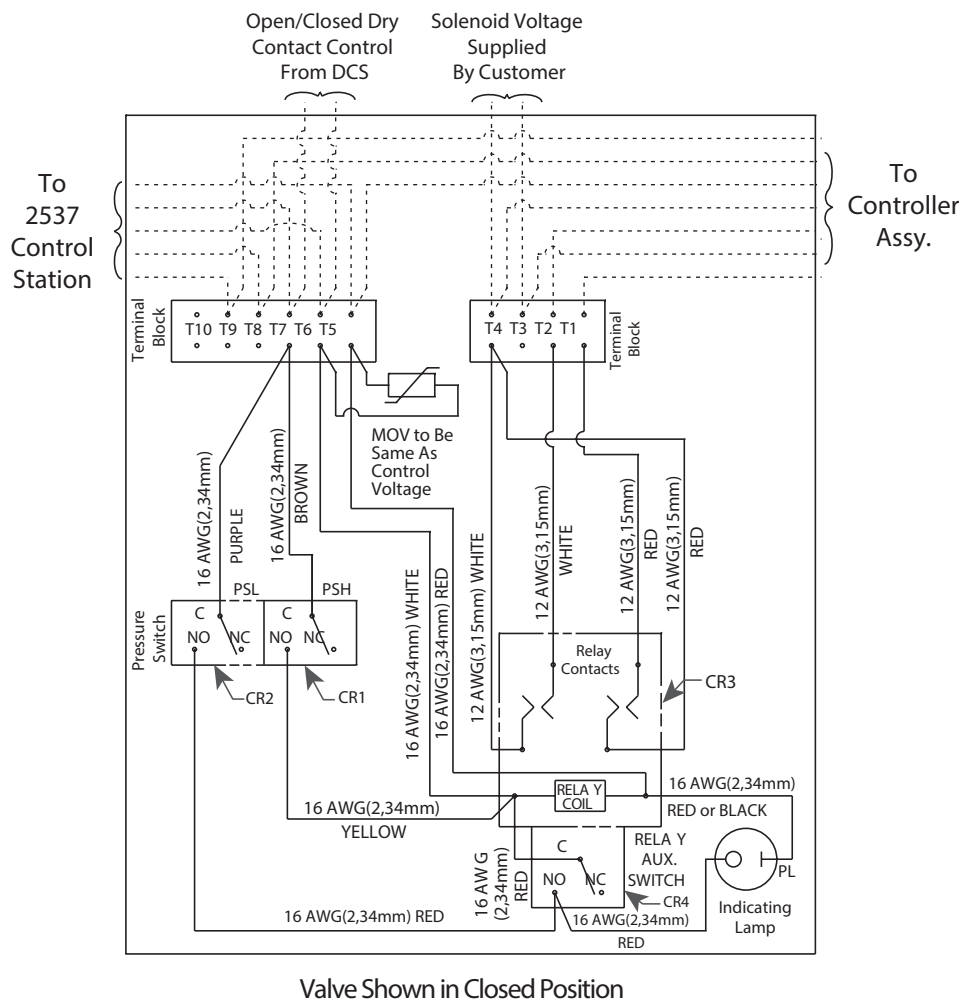
		Opening Cycle			Closing Cycle		
Contact Relay		Valve Closed	Mid Open	Valve Open	Valve Open	Mid Closed	Valve Closed
CR1		-----	-----	-----	-----	-----	-----
CR2		-----	-----	-----	-----	-----	-----
CR3		-----	-----	-----	-----	-----	-----
CR4		-----	-----	-----	-----	-----	-----
CR5		-----	-----	-----	-----	-----	-----
CR6	NC CONTACT	-----	-----	-----	-----	-----	-----
	NO CONTACT	-----	-----	-----	-----	-----	-----

Figure 15 (Cont.): Schematic Wiring Diagram Electromatic Valve 220 VDC and 250 VDC

XIII. Maintenance Instructions (Cont.)

OPTIONAL DCS CONTROL INTERFACE

Required Terminals For Dry Contact Control



Required Terminals for Optional Heater/Thermostat

Heater/Thermostat Notes:
The Figure shown is a section view from the 3539 Controller showing placement and wiring of the Heater/Thermostat Components

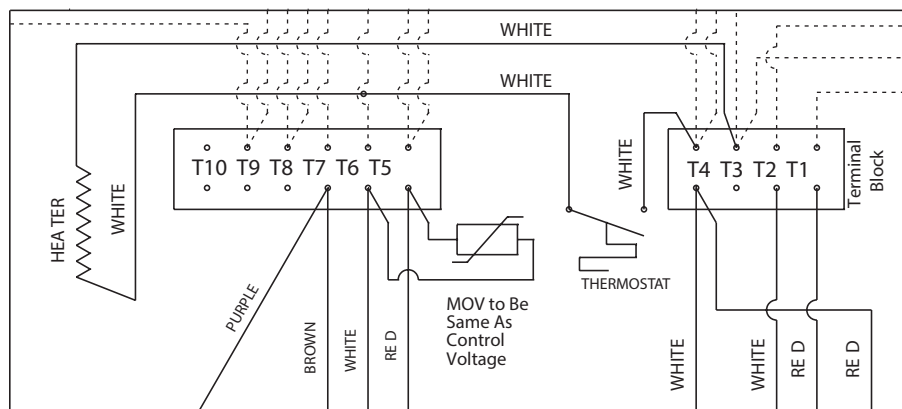
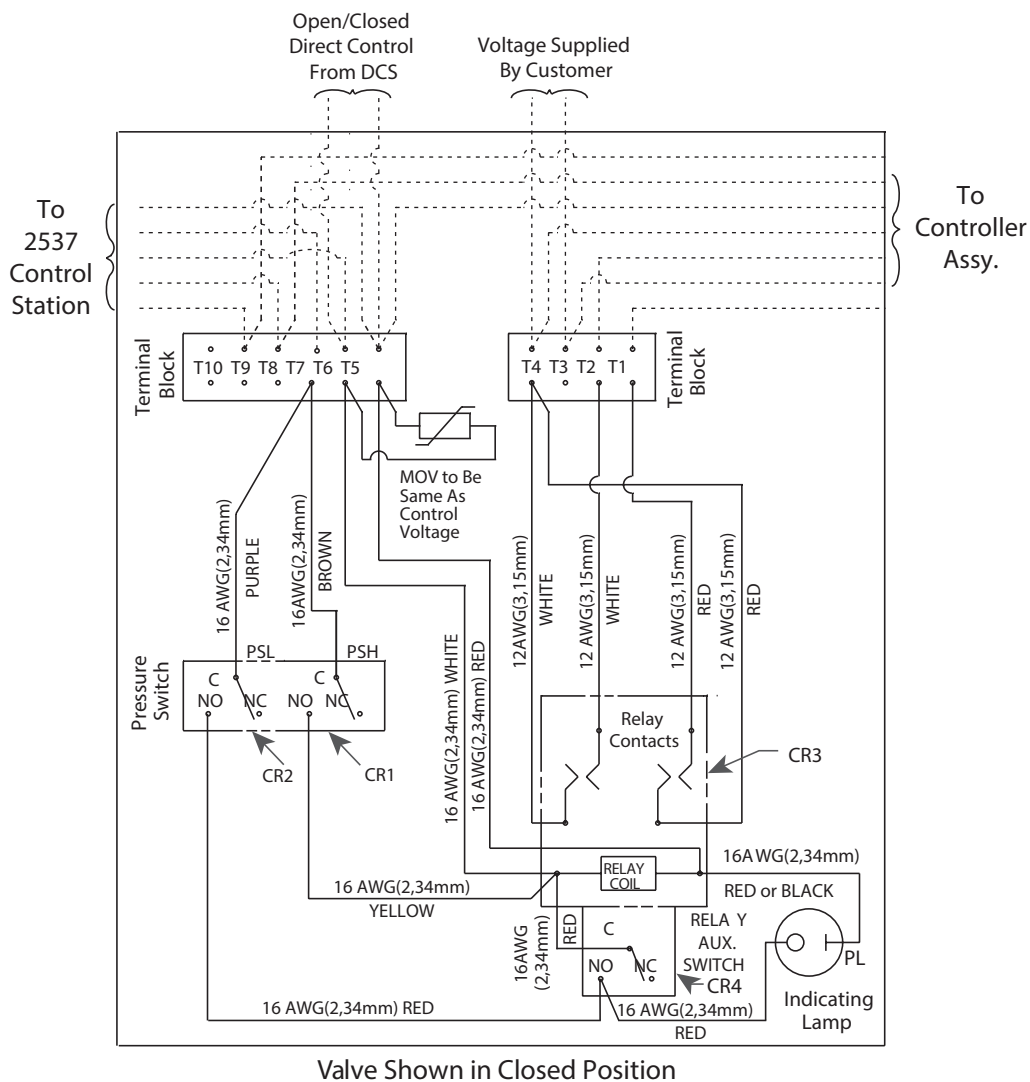


Figure 16: Optional DCS Control Interface 120 VAC, 240 VAC, 125 VDC and 24VDC

XIII. Maintenance Instructions (Cont.)

OPTIONAL DCS CONTROL INTERFACE

Required Terminals For Direct Contact Control



DCS NOTES:

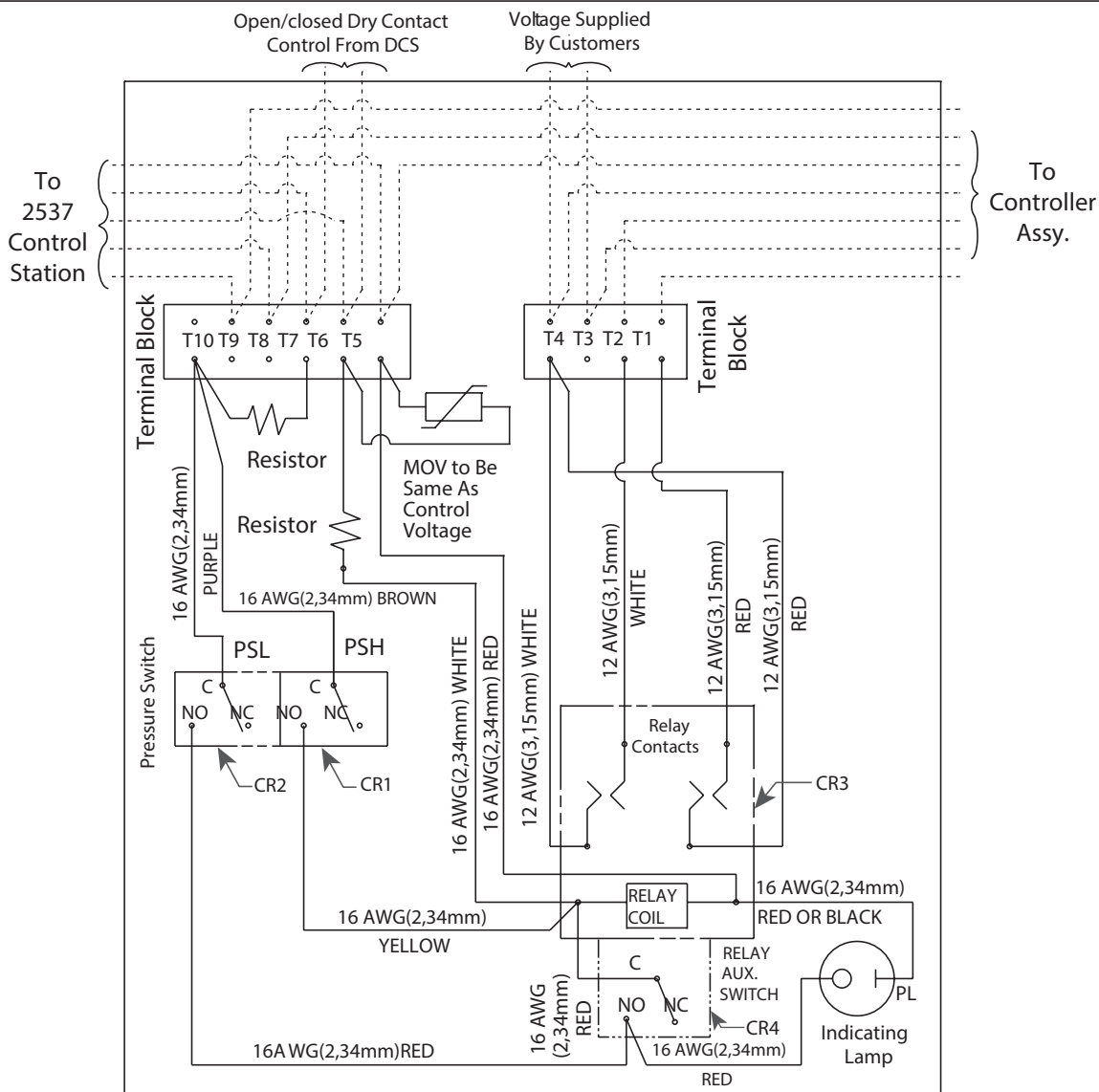
1. All interface with DCS System occurs in 3539 Controller. For any other configuration, consult factory.

Figure 16 (Cont.): Optional DCS Control Interface 120 VAC, 240 VAC, 125 VDC and 24VDC

XIII. Maintenance Instructions (Cont.)

OPTIONAL DCS CONTROL INTERFACE

Required Terminals For Dry Contact Control



Valve Shown in Closed Position

Required Terminals for Optional Heater/Thermostat

Heater/Thermostat Notes:
The Figure shown is a section view from the 3539 Controller showing placement and wiring of the Heater/Thermostat Components

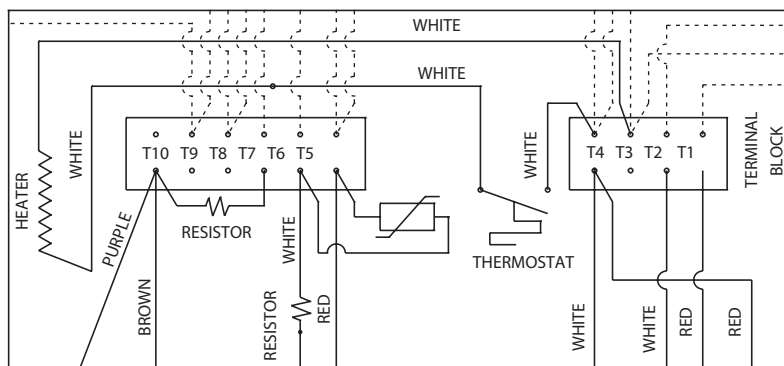
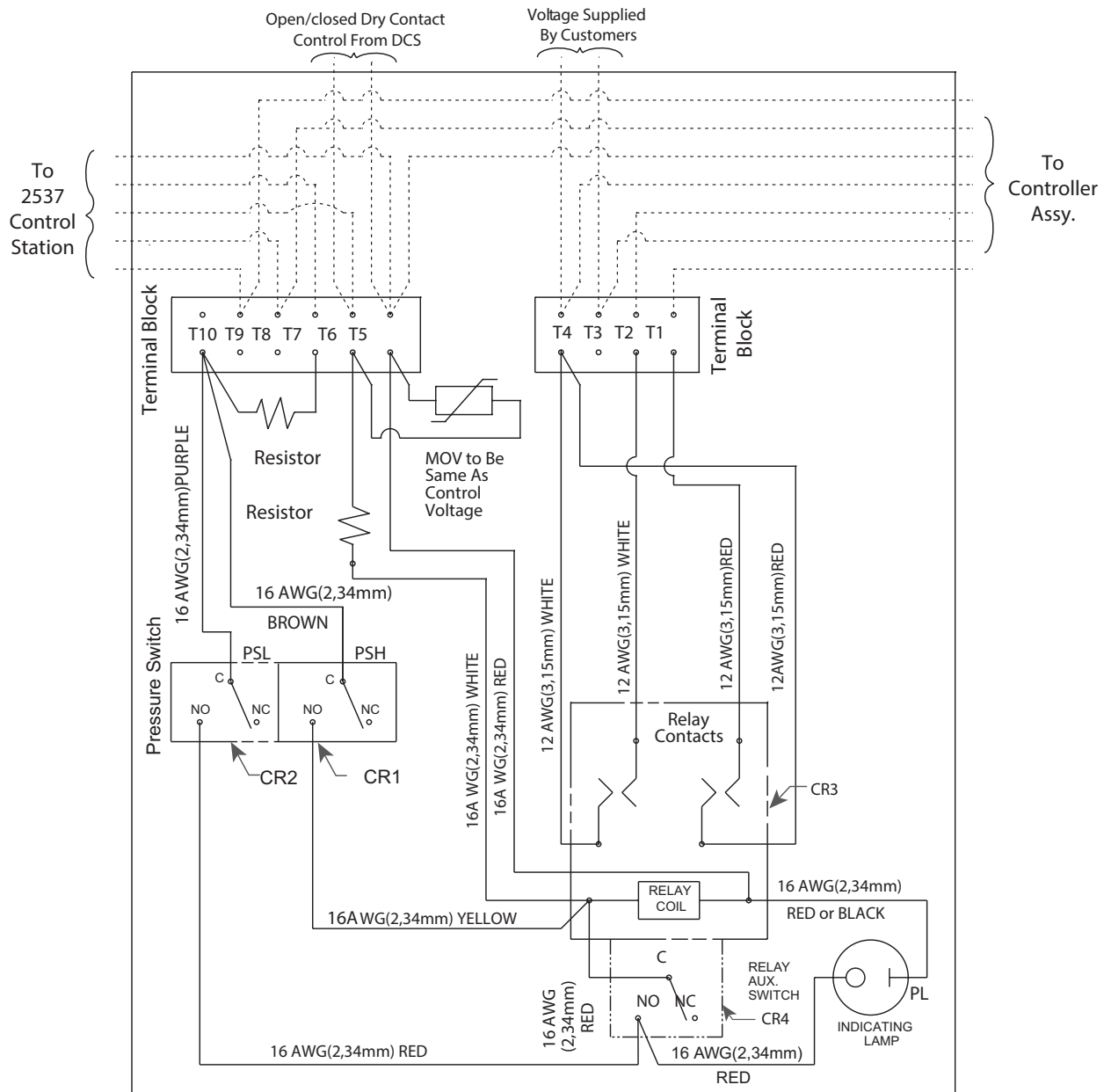


Figure 17: Optional DCS Control Interface 220 VDC and 250 VDC

XIII. Maintenance Instructions (Cont.)

OPTIONAL DCS CONTROL INTERFACE

Required Terminals For Direct Contact Control



Valve Shown in Closed Position

DCS NOTES:

1. All interface with DCS System occurs in 3539 Controller. For any other configuration, consult factory.

Figure 17 (Cont.): Optional DCS Control Interface 220 VDC and 250 VDC

XIII. Maintenance Instructions (Cont.)

Electromatic Ball Valve Operation Principles:

Automatic Mode:

1. System pressure below valve set pressure. The ball valve is closed.
 - A. Pressure switches CR1 and CR2 are in NC position.
 - B. Switch CR4 is in the NC position.

Note: the indicating lamp next to switch CR4 is only for setting the close point of the valve during bench testing of the controller. It is enclosed in the controller box and is not visible during normal operation.

- C. The relay contacts are open.
 - D. The "Normally Closed" solenoid valve is not energized and in the exhaust position.
 - E. The "Closed" indicating lamp (control station) is on. The power is through the NC contact of limit switch CR6. The "Open" indicating lamp (control station) is off.
2. System pressure begins to increase.
 - A. When system pressure reaches the valve close off point PSL (CR2) goes to the NO position. This turns on the indicating lamp next to CR4.
 - B. When system pressure reached the valve set point pressure, switch PSH (CR1) goes to the NO position.
 - C. The relay coil is energized and closes the relay contacts, CR3 and relay AUX. Switch CR4.
 - D. The "Normally Closed" solenoid valve is energized and starts to introduce air pressure to the actuator cylinder to open the ball valve. The actuator cylinder starts moving through the power stroke opening the ball valve.
 - E. The "Normally Open" solenoid valve remains energized to exhaust the opposite side of the actuator cylinder.
 - F. By means of a cam located on the valve stem, limit switch CR5 goes to the NC position and limit switch CR6 goes to the NO position.
 - G. The "Closed" indicating lamp goes out and the "Open" indicating lamp turns on (control station).
3. When the actuator cylinder completes its full stroke the ball valve is fully open and relieving system pressure. The cylinder remains pressurized on the open side to hold the ball valve open.
4. System pressure is being vented and drops down below the ball valve set point.

- A. Switch CR1 changes to the NC position.
 - B. Switches CR2 and CR4 remain in the NO position to keep the relay coil energized until the system pressure reaches the predetermined valve closing point.
 - C. The "Normally Closed" solenoid remains energized to keep pressure in the actuator cylinder and keep the ball valve open.
 - D. The "Normally Open" solenoid valve is also energized to exhaust any pressure on the vent side of the cylinder.
5. System pressure drops down to the predetermined ball valve closing point.
 - A. CR2 switch (PSL) goes to the NC position, which de-energizes the relay coil.
 - B. The relay contacts, CR3 and relay AUX. Switch, CR4 open.
 - C. The "Normally Closed" solenoid valve is de-energized and goes to the exhaust position.
 - D. The "Normally Open" solenoid valve is also de-energized as limit switch CR5 is still in the NC position until the actual or cylinder fully closes the ball valve.
 - E. When the ball valve is fully closed, limit switch CR5 goes to the NO position and the "Normally Open" solenoid valve is energized and goes to the exhaust position.
 - F. The limit switch CR6 returns to the NC position and the "Closed" indicating lamp goes on and the "Open" indicating lamp goes off (control station).

Manual Mode:

1. To operate the valve manually, electrical current is produced to terminals T5 and T6 in the controller to energize the relay and subsequently open the ball valve.
2. When a control station is supplied with the ball valve, the manual switch can be used to open the valve.

Relay Auxiliary Switch (CR4):

The purpose of the relay auxiliary switch is to provide the valve with an adjustable blow down. This switch keeps the relay coil energized after the PSH (CR1) switch has opened until the system pressure has dropped to ball valve close point and the PSL (CR2) switch has opened.

XIII. Maintenance Instructions (Cont.)

Controller Indicating Lamp:

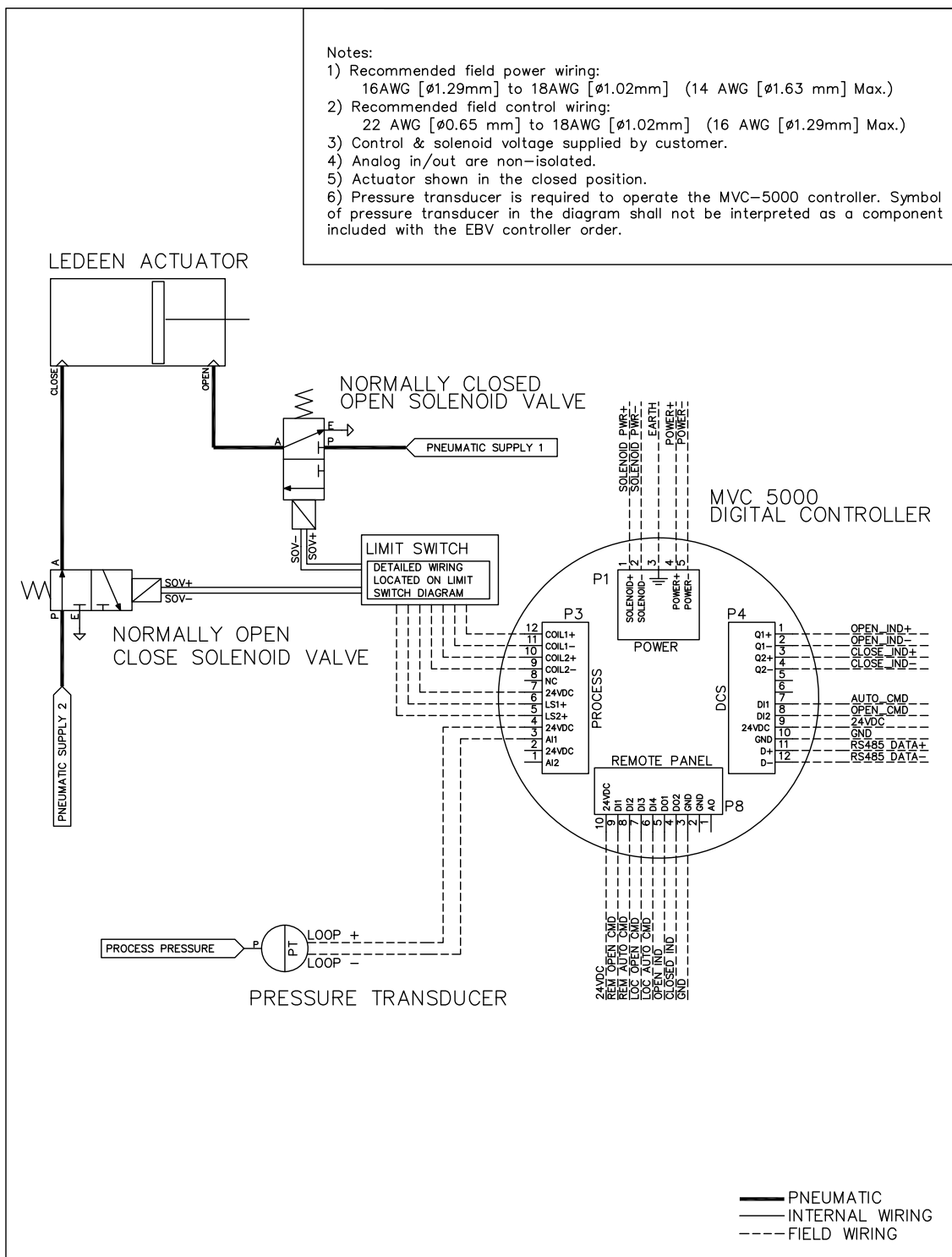
This lamp is used when adjusting the pressure switches CR1 and CR2 to accurately set the valve blowdown.

Additional limit switches:

Up to two additional limit switches are available.

Valves is shown with additional double pole, double throw limit switch.

Wiring and Pneumatic Diagram for 3500-1/2/3 EBV to MVC-5000 Digital Controller



XIII. Maintenance Instructions (Cont.)

Wiring Diagram for Limit Switch to MVC-5000 Digital Controller

COIL/LIMIT SWITCH STATE TABLE SOLID LINE = CONTACT CLOSED

CONTACT	OPENING CYCLE			CLOSING CYCLE		
	VALVE CLOSED	MID OPEN	VALVE OPEN	VALVE OPEN	MID CLOSE	VALVE CLOSED
COIL1+		—————	—————			
COIL2+	—————	—————	—————			—————
LS1+			—————	—————		
LS2+	—————					—————

Notes

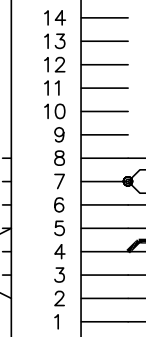
1) Cam position (open and closed position) may require calibration.

LIMIT SWITCH DIAGRAM

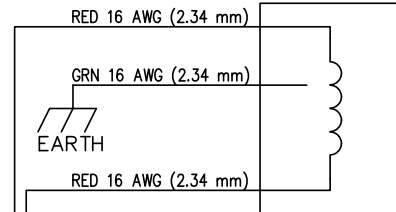
MVC-5000
DIGITAL CONTROLLER

COIL1+ (PROCESS 12)
COIL1- (PROCESS 11)
COIL2+ (PROCESS 10)
+24VDC (PROCESS 7)
LS1+ (PROCESS 6)
LS2+ (PROCESS 5)

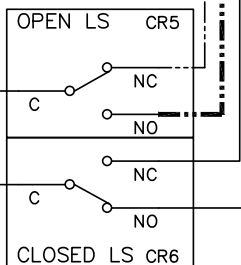
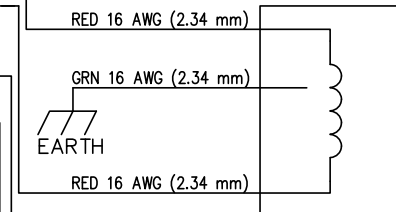
TERMINAL BLOCK



NORMALLY CLOSED
OPEN SOLENOID VALVE
ASCO 8316P064



NORMALLY OPEN
CLOSE SOLENOID VALVE
ASCO 8316P066



CAUTION!

INTERNAL WIRING MUST BE MODIFIED.
FAILURE TO DO SO WILL RESULT IN
DAMAGE TO THE CONTROLLER.

VALVE SHOWN IN THE CLOSED POSITION

- — — — — MODIFY
- — — — — REMOVE
- INTERNAL WIRING
- — — — — FIELD WIRING

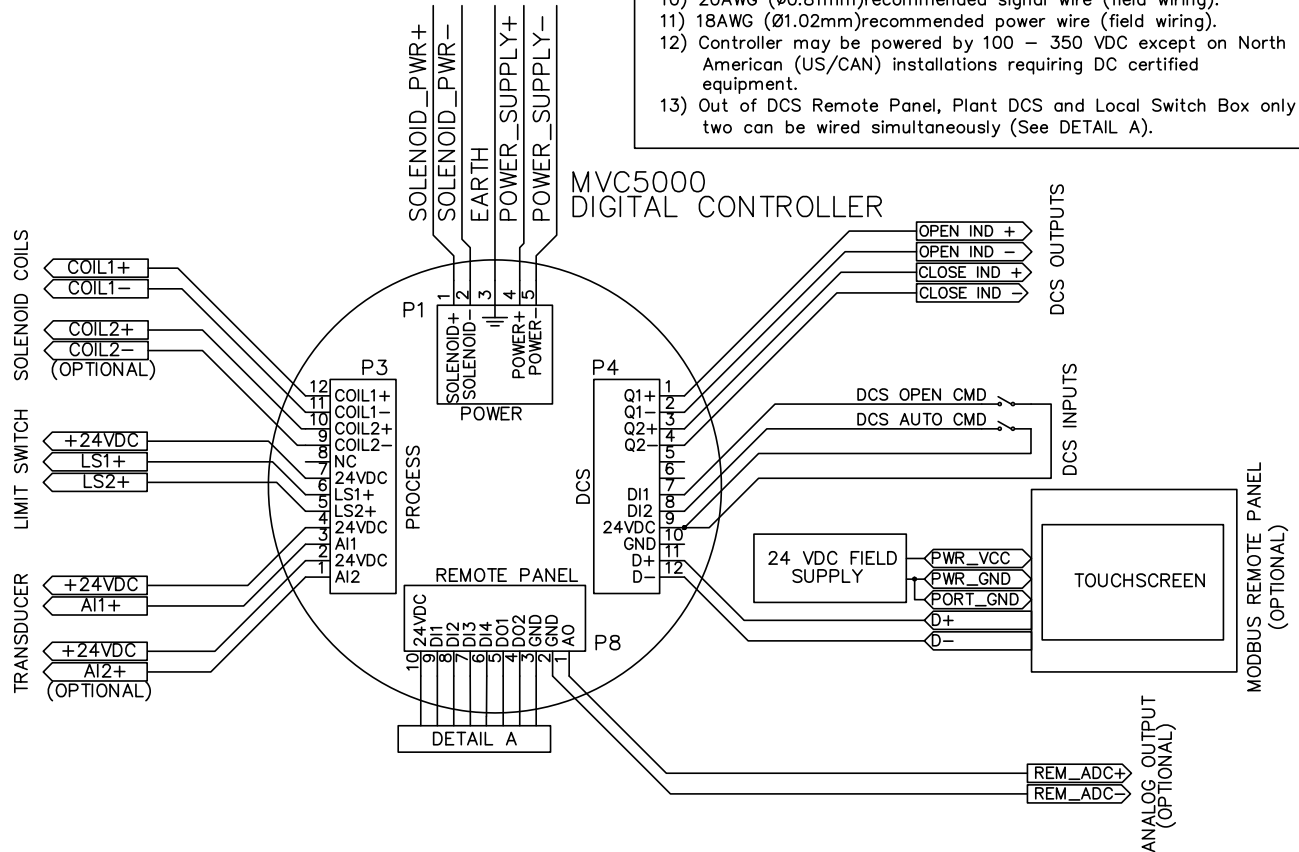
XIII. Maintenance Instructions (Cont.)

Wiring Diagram MVC-5000 Digital Controller to Accessories

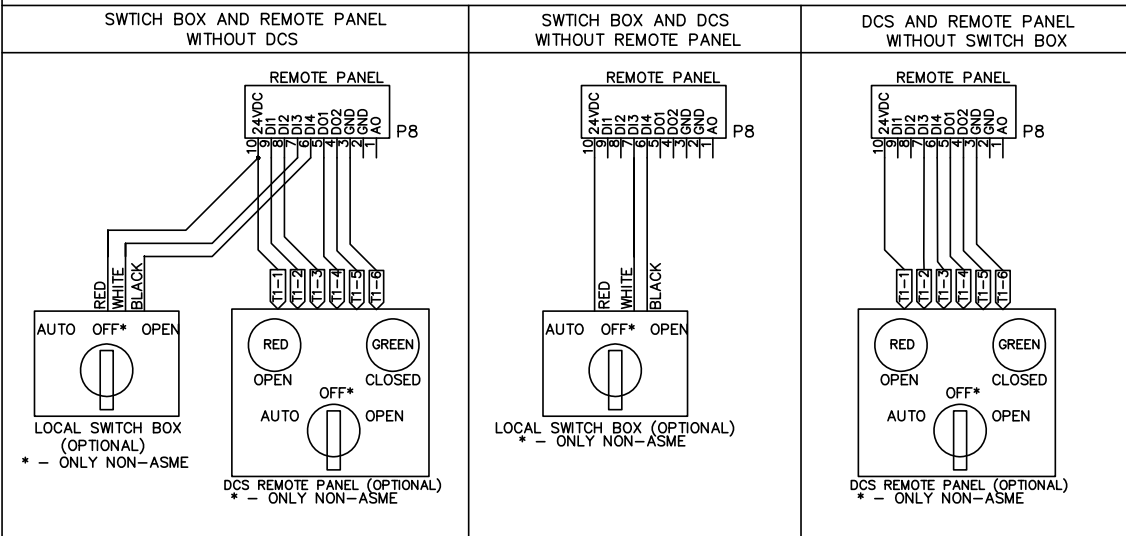
VALVE SHOWN
IN THE CLOSED POSITION
—— FIELD WIRING

Notes

- 1) Power Supply: 100 – 240VAC 50/60Hz
- 2) Q1,2 are dry contact outputs for DCS integration.
- 3) DI1,2,3,4 are isolated digital inputs for remote panel and switch box integration.
- 4) DO1,2 are wetted 24VDC digital outputs for remote panel integration.
- 5) Coil1,2 are dry contact relay outputs for solenoid control.
- 6) AI1,2 are loop powered, non-isolated, 4–20mA analog inputs.
- 7) AO is a sourcing, non-isolated 4–20mA output.
- 8) All command inputs are momentary latching.
- 9) All indication outputs are maintained.
- 10) 20AWG (Ø0.81mm) recommended signal wire (field wiring).
- 11) 18AWG (Ø1.02mm) recommended power wire (field wiring).
- 12) Controller may be powered by 100 – 350 VDC except on North American (US/CAN) installations requiring DC certified equipment.
- 13) Out of DCS Remote Panel, Plant DCS and Local Switch Box only two can be wired simultaneously (See DETAIL A).



DETAIL A – REMOTE PANEL WIRING OPTIONS



XIV. Inspection and Part Replacement

Visually inspect all parts for cleanliness and the presence of foreign materials. Clean and reinspect as necessary.

Inspect the carbide coating of the ball, seat, loader, stem and bearing washer for cracking or flaking. Replace if damaged.

Check electrical wires for cracking or other damage to the insulation. Replace as necessary.

Inspect solenoid valves and regulator for obstructions in their parts. Clean or replace as necessary.

XV. Reassembly of 3500 Series Safety Valve

A. Lubrication

Acceptable lubricants are Molykote GN[®] paste and Sentry's Twist[®] antisieze compound.

All threaded fasteners except pipe threads and tube fittings are to be lubricated. Pipe threads must be sealed with pipe thread sealant or Teflon[®] tape.

Care must be taken not to get lubricant on any other valve surfaces.

B. Tools Required

1. Stem nut wrench – see Figures 13a and 13b.
2. Two hooks for installation/removal of the ball. See Figure 12.
3. Torque wrench or torque adjustable impact wrench.
4. Various size open x boxed end wrenches.
5. Screw drivers.
6. Wire cutter, stripper and lug crimper combination tool.

C. Valve Assembly

Refer to Figures 2 and 3

1. Place the valve body in a vise or other suitable holding fixture with the seat bushing opening facing up.
2. Place the bearing washer onto the stem and slide against the bearing shoulder of the stem.
3. Place the stem nut onto the stem with the milled wrench slots facing away from the large end of the stem.

4. Insert the stem, bearing washer and stem nut assembly into the stuffing box opening of the body. Screw the stem nut into the body and torque to the value specified in Table 3.
5. Place the packing stop ring over the stem and slide it down into the stuffing box until it contacts the stem nut.
6. Place the packing rings over the stem and slide them down into the stuffing box.
7. Install the packing gland to the stem with the larger spherical radius facing away from the valve.
8. Place the packing gland flange onto the stem and align the two holes with the packing gland studs. Slide it down until it contacts the packing gland. Screw the packing gland nuts onto the packing gland studs until they contact the gland flange. Tighten hand tight.
9. Rotate the stem so that the "Tang" of the stem head is perpendicular with the valve center line. With the small tapered end of the Belleville Washer up. Insert the first Belleville Washer into the guide bore at the top of the body. It should rest flat at the bottom of the guide bore. Install the spring spacer, with the tapered end of the second Belleville Washer down, insert it into the guide bore. It should seat on the spacer.
10. Rotate the seat loader so that the bore center line is perpendicular to the body center line. Lower the loader into the bore until the lower edge is below the "Tang" of the stem. Rotate the loader under the "Tang" until it rests flat on the Belleville Washer. The 45 degree seat angle and 15 degree tapered angle must be facing the top of the body.

Table 3: Bolting Torque – FT/LBS

Valve Type	Discharge Collar Stud Nuts	Packing Gland Stud Nuts	Steam Nuts	Yoke Bolts	Actuator Bolts
3515, 3516, 3525, and 3526	90	35	50	50	50
3517, 3527 and 3537	200	50	100	75	75
3538 and 3547	275	50	125	100	100

XV. Reassembly of 3500 Series Safety Valve (Cont.)

11. Rotate the stem until the "Tang" of the stem is in line with the valve center line. When viewing the stem from the top the milled keyway must face to the left on VA and GS series and to the right for SY series actuator. With the flow port perpendicular to the body center line, use two wire hooks to lower the ball into the body. The slot in the ball must align with the stem "Tang" and rest on the seat loader.

12. Insert a flat blade screw driver between the ball and the body at a location 180° from the "Tang" slot to prevent the stem from moving the ball. Tighten packing by torquing to the values in Table 3. Remove the screw-driver.

13. Prior to assembly of the seat bushing and bushing gasket, the bushing "stand off" must be checked. Follow the steps below to check "stand off":

- Install the seat bushing into the body.
- Lower the bushing until it rests on the ball.
- Rotate the seat bushing back and forth to insure it is not binding.
- Without exerting downward force on the bushing, use a depth micrometer and measure the distance from the top of the bushing to the top of the body.

14. Remove the bushing from the body. Place the bushing gasket in the gasket recess of the body. Install the bushing in the body.

15. On the LEDEEN GS620 and GS628 actuators, ensure that the drive bushing has not slipped up into the actuator when assembling the actuator and Yoke to the stud nuts on the ball valve body. (If the Yoke has been removed from the actuator, a special guide must be used to align the yoke, the drive bushing and the actuator. Remove the alignment tool prior to re-assembly to ball valve stud nuts).

16. Align the bolt holes of the discharge collar with the discharge collar studs and place the discharge collar onto the body. Screw the discharge collar stud nuts onto the studs of the body. Using the sequence in Figure 20, torque to the values in Table 3.

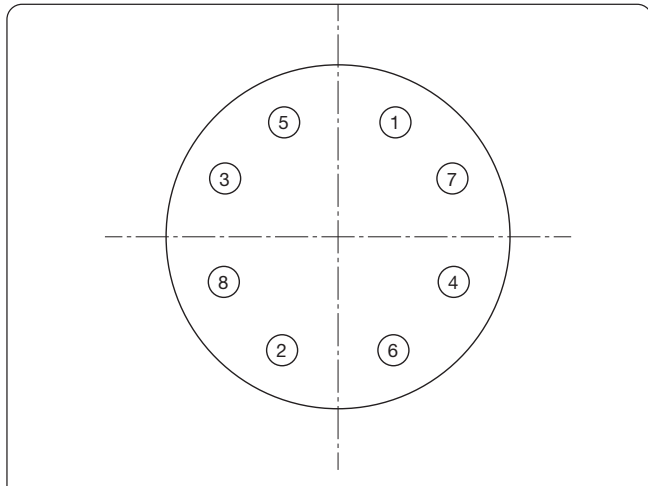


Figure 18: Discharge Collar Torquing Pattern

Yoke Alignment Tool	
Part No.	Actuator Type
7530243	VA123
7530249	GS620 & GS628
7530250	SY1032 & SY1043

Figure 19: Yoke Alignment Tool

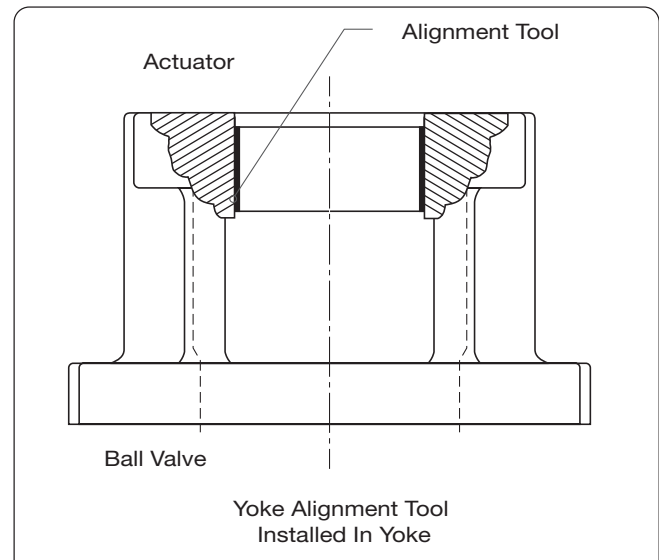


Figure 20: Yoke Alignment Tool Installed In Yoke

XV. Reassembly of 3500 Series Safety Valve (Cont.)

D. Actuator Assembly for LEDEEN GS and SY Series Actuators

Refer to Figures 21 and 22

1. Slide the actuator drive bushing into the drive sleeve of the actuator.
2. Insert the yoke alignment tool (Figure 20) through the bottom of the yoke and into the bushing guide bore of the actuator yoke (Figure 20).
3. For proper alignment assemble the yoke to the actuator with the yoke alignment tool with the actuator drive bushing in place.
4. Fasten the yoke to the actuator using the cap bolts provided and torque to the values in Table 3.
5. Remove the actuator drive bushing and the yoke alignment tool from the yoke and actuator.
6. Place the key into the milled Keyway on the stem.
7. Align the key in the keyway of the actuator drive bushing. With the key on the stem of the ball valve.
8. Slide the actuator drive bushing on to the stem until it is about .125" (3.18 mm) from the packing gland studs.
9. Thread the socket head set screw into the threaded hole in the side of the actuator drive bushing.

Figure 21a: Top View of GS620 and GS628 Series Actuator

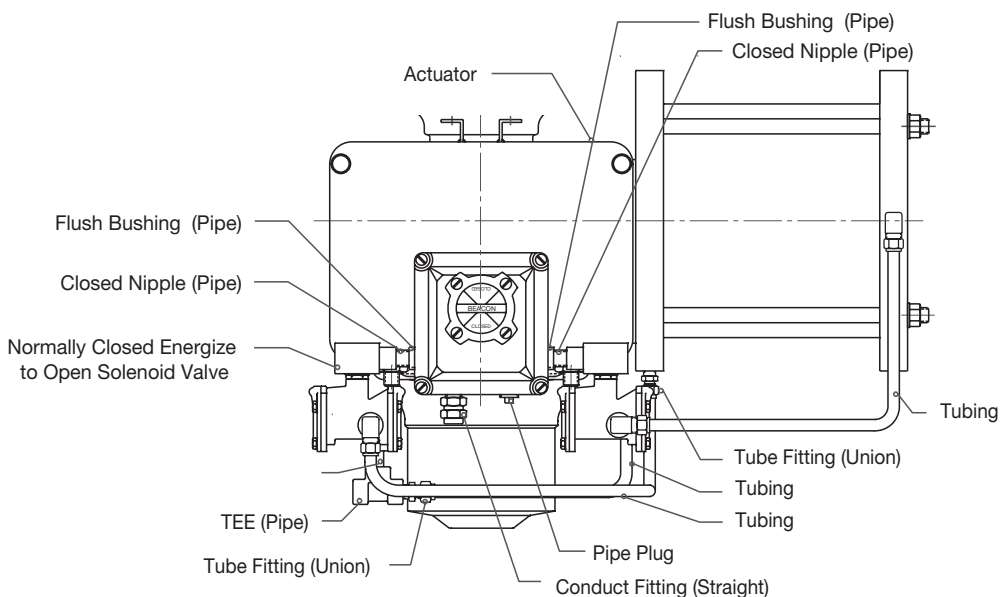
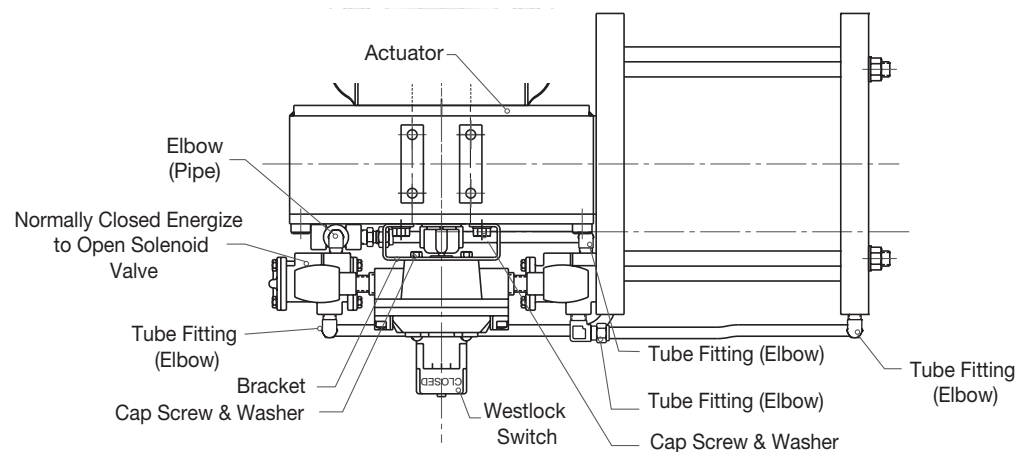


Figure 21b: Front View of GS620 and GS628 Series Actuator

Figure 21: Actuator Assembly for LEDEEN GS620 and GS628

XV. Reassembly of 3500 Series Safety Valve (Cont.)

Actuator Assembly for LEDEEN GS and SY Series Actuators

Figure 22a: Front View of SY1032 and SY1043 Series Actuators

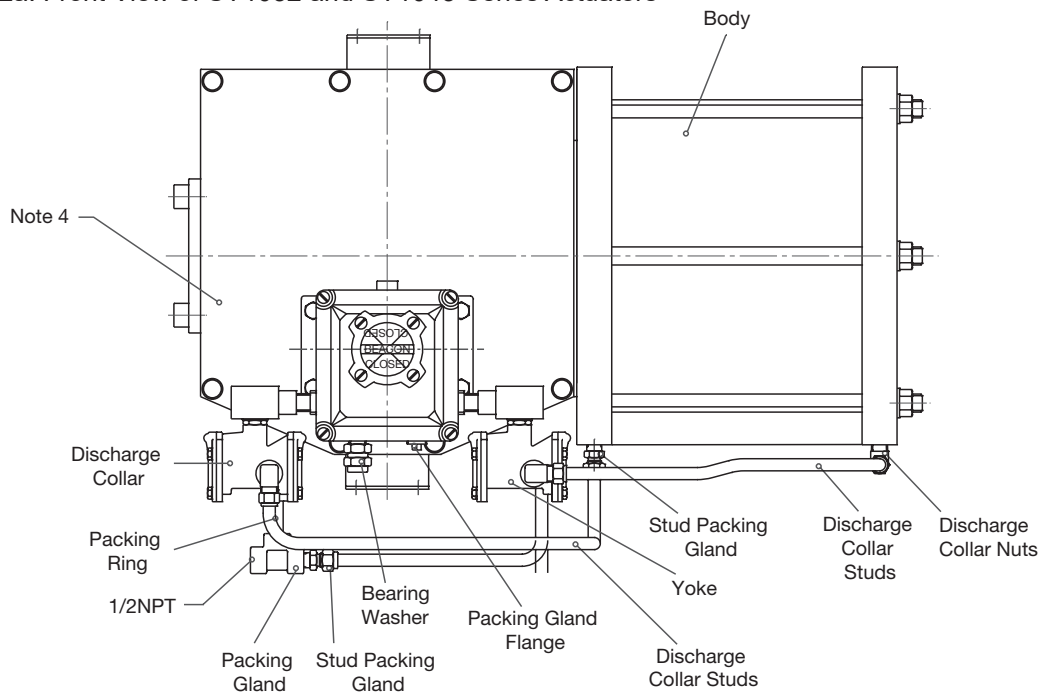


Figure 22b: Top View of SY1032 and SY1043 Series Actuators

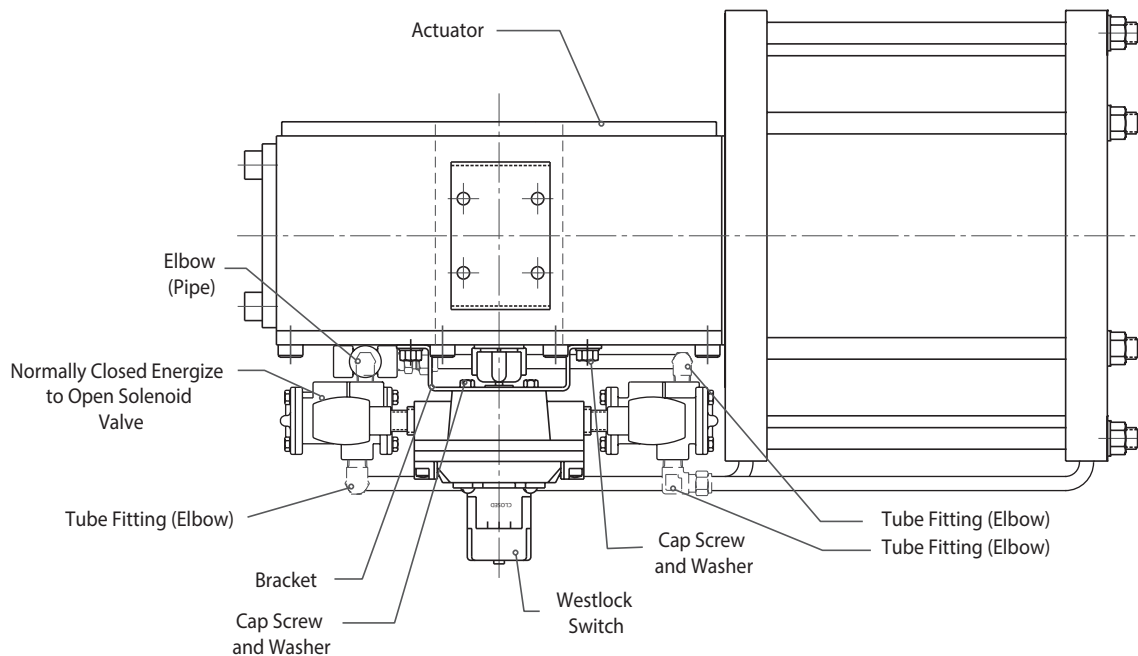


Figure 22: Actuator Assembly for LEDEEN SY1032 and SY1043

XV. Reassembly of 3500 Series Safety Valve (Cont.)

10. Tighten to secure the Actuator Drive Bushing to the Ball Valve Stem.
11. Temporarily tighten the packing gland nuts to prevent forcing the stem against the ball when assembling the actuator to the valve. Align the stem keyway 90 degrees to the left of the valve center line for GS Series actuators and 90 degrees to the right for SY Series actuators. Make sure the actuator is stroked to the closed location. (The keyway will be 45 degrees to the right of the center line when viewing the actuator from the top.) Slide the actuator and yoke over the stem and seat the actuator yoke over the raised guide face and against the body. Install and tighten the yoke cap bolts to the torque specified in Table 3.
12. Remove the actuator output shaft cover. Rotate the actuator if required to align the keyway. Install the key into the keyway. Replace the actuator output shaft cover.
13. With the valve closed check adjustment of limit switch CR5 (Refer to Figure 21) wired to the solenoid piped to close the valve. Use a continuity tester or volt/ohm meter across terminals 5 and 6 to verify that the switch contacts are closed.
14. With the valve open, verify that the port hole through the ball is perfectly aligned with the valve ports. If it is not, make adjustments using the open side travel stop. Now check if limit switch CR5 is in open position (Refer to Figures 14 and 15). Check continuity across terminals 2 and 3 to verify actuator is in closed position.
15. Loosen the packing gland nuts and retighten hand tight.
16. The valve is now ready to test to ensure it will open and close at the correct pressures. See Section XVI, for instructions for setting and testing the valve.

E. Actuator and Accessory Assembly for LEDEEN Models VA123 Actuators - Refer to Figures 23a and 23b

1. Rotate the stem until the milled keyway is located 90° (1/4 turn) to the left of the valve center line and temporarily tighten the packing gland nuts to prevent the stem from moving.
2. Slide the actuator drive bushing into the drive sleeve of the actuator.
3. Insert the yoke alignment tool (Figure 20) through the bottom of the yoke into the bushing guide bore of the actuator yoke (Figure 20).
4. For proper alignment, assemble the yoke to the actuator with the yoke alignment tool with the actuator drive bushing in place.
5. Fasten the yoke to the actuator using the cap bolts provided and torque to the values in Table 3.
6. Remove the actuator drive bushing and the yoke alignment tool from the yoke and actuator.
7. Place the key in the limited keyway on the ball valve stem.
8. Align the small diameter end of the actuator drive bushing keyway with the key in the ball valve stem.
9. Slide the drive valve bushing onto the ball valve stem.
10. Position the actuator drive bushing on the stem so that the small diameter end is about .375" (9.53 mm) below the Yoke.
11. Install and tighten the actuator drive bushing lock screw.
12. Slide the actuator yoke over the stem and raised guide diameter of the body seat until it seats against the body. Install the yoke cap bolts and tighten to the value specified in Table 3.
13. With the valve closed, check adjustment of limit switch CR5 (Ref. Figure 14 and 15) wired to the solenoid to close the valve. Use a continuity tester or volt/ohm meter across terminals 5 and 6 to verify that the switch contacts are closed.
14. With the valve open verify that the port hole through the ball is perfectly aligned with the valve ports. If it is not, make adjustments using the open side travel stop. Check continuity across terminals 2 & 3 to verify adjustment of CR5 in closed position.
15. Loosen the packing gland stud nuts and retighten hand tight.
16. The valve is now ready to test. To ensure it will open and close at the correct pressures, see Section XVI, for instructions for setting and testing the valve.

XV. Reassembly of 3500 Series Safety Valve (Cont.)

Figure 23a: Front View of VA123 DA Actuators

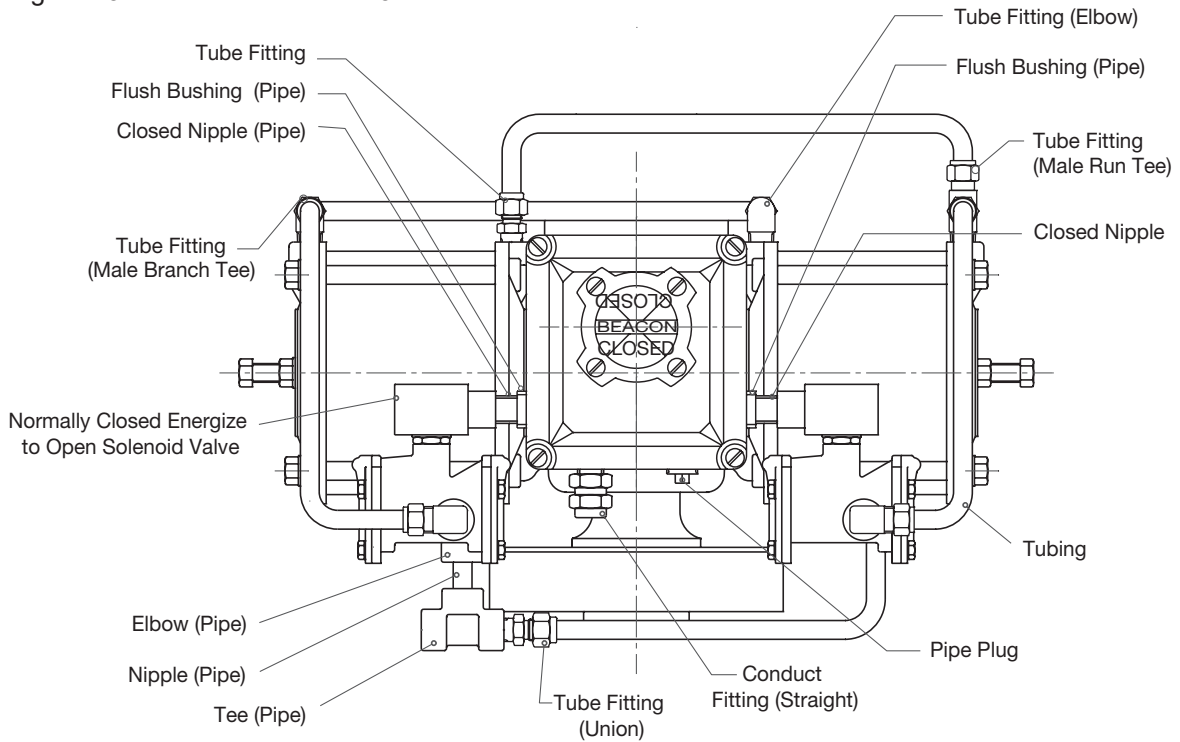


Figure 23b: Top View of VA123 DA Actuators

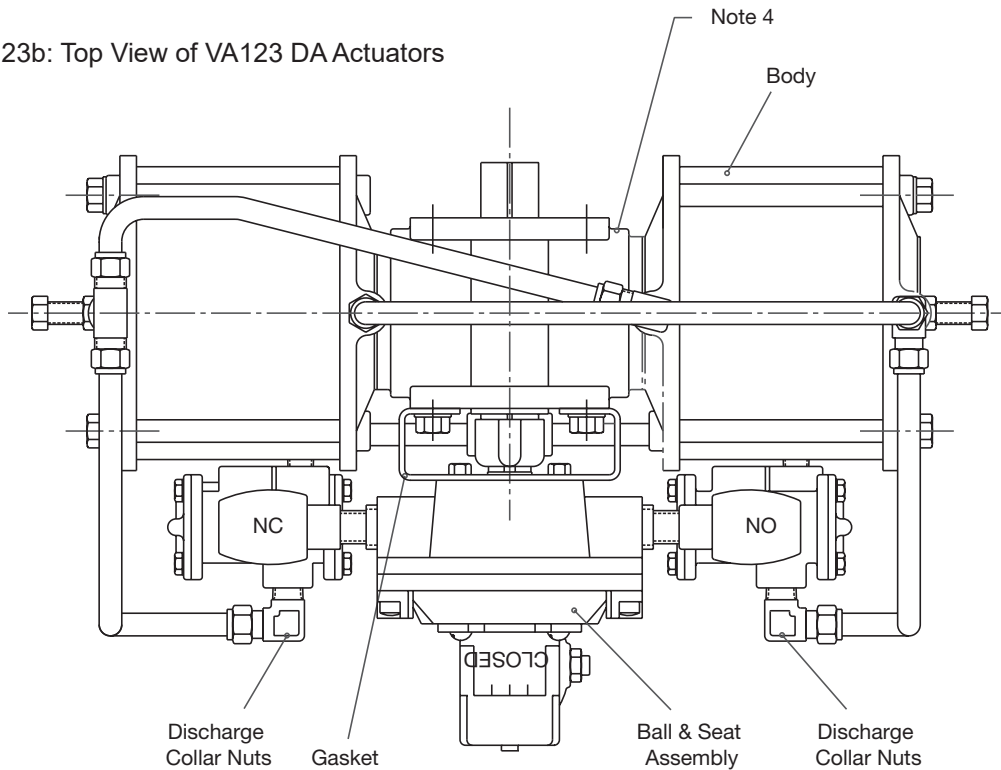
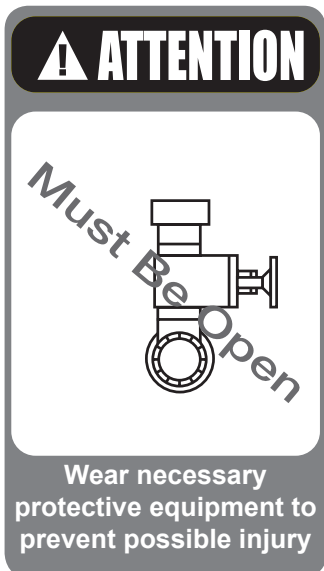


Figure 23: Actuator Assembly for LEDEEN VA123DA

XVI. Setting and Testing



A. Start-up of the System

A.1 Prior To Start-Up Checks

1. Open the isolation valve if it is closed.
2. Turn on the power and set the Type 2537 control station switch to the “Automatic” position; if the electrical system is on the amber light will be turned on.
3. Set the control station switch to the “Manual” position. Observe to verify that the valve rotated to the open position. The red light will be turned on at this point.
4. Return the control station switch to the automatic position. The valve should close, the red light go out and the amber light will be turned on.

A.2 System Start-Up

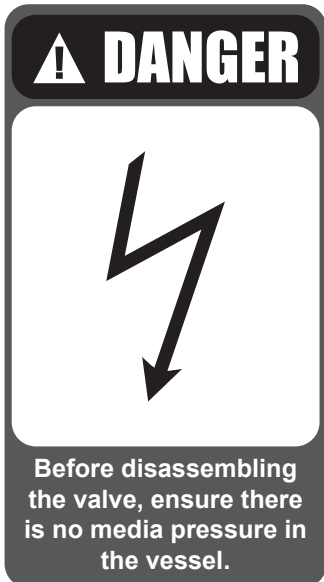
1. If the power actuated relief valve is equipped with an isolation valve, this valve **MUST BE OPEN** during system start up. Bringing the system online and then opening the isolation valve **WILL RESULT** in damage to the coating on the ball and seat. This **WILL RESULT** in seat leakage. Isolation valves equipped with by-pass valves may be closed during start-up provided the by-pass valve is **OPEN**.

A.3 Adjusting the Set Pressure and Blowdown

To adjust the Bourdon tube for “set point” and blowdown, refer to Figure 24. Open door on controller. Only make contact with screw “A” and Screw “B”. (Figure 24) for adjustment purposes. **DO NOT** make contact with any other terminal or screw due to live voltage and risk of electric shock.

Screw A is used to adjust the “set point”. By turning screw A counterclockwise, the “set point” will be increased. Conversely, by turning screw A clockwise, the “set point” will be decreased.

The low pressure switch indicating light E is to be utilized in adjusting the blowdown. Accordingly, as the system pressure is increased, the indicating light E will come on, indicating actuation of the low pressure switch D.



XVI. Setting and Testing (Cont.)

Since the low pressure switch controls the closing pressure of the valve, the closing pressure of the valve is known before the valve opens. As the pressure decreases, the actual “closing point” of the valve is indicated when light E goes out.

Screw B is used to adjust the “closing point” of the valve, which establishes the blowdown of the valve. By turning screw B counterclockwise, the “closing point” will be increased, thus shortening the blowdown. Conversely, by turning screw B clockwise, the “closing point” will be decreased, lengthening the blowdown.

Example: with the valve set at a pressure of 2000 psi (137.90 bar), the “set point” can be increased to 2010 psi (138.58 bar) by turning screw A counterclockwise. To reduce the “set point” to 1990 psi (137.21 bar), Screw A must be turned clockwise.

The Type 3539 controller is capable of being adjusted to an extremely short differential, or blowdown setting. It is not always possible, however to take full advantage of this short blowdown adjustment, if the pressure connection to the sensing elements is connected to the superheater, due to an additional pressure drop. Therefore, if this additional pressure drop under any load condition, exceeds the closing point setting of the valve, the valve will chatter. Accordingly, it is absolutely essential that the pressure connection from the leader be at least 8-10 pipe diameters upstream from the EBV inlet.

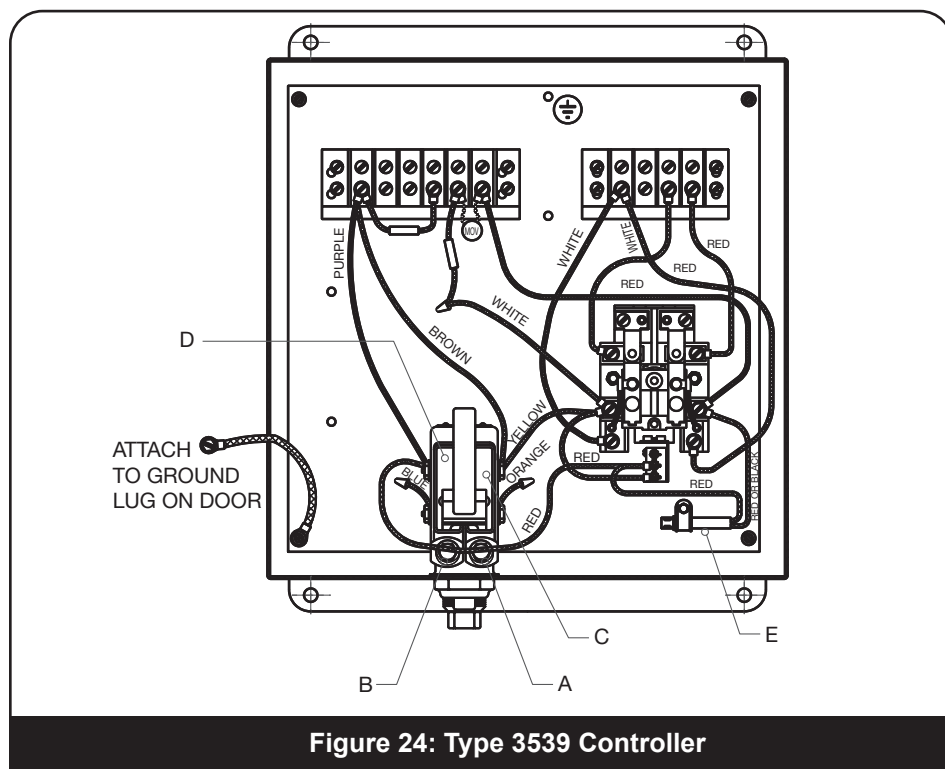
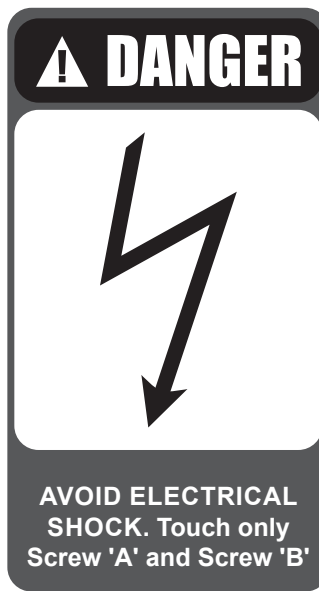


Figure 24: Type 3539 Controller



XVI. Setting and Testing (Cont.)

A.4 Minimum Blowdown Setting

The DFC recommended blowdown settings for the valve are shown in Table 4.

Table 4: Recommended Blowdown for ASME and Non-ASME Applications	
Set Point	Minimum Blowdown
All Pressures	2.0% of Set Pressure

Note: Due to some systems having vibrations or pulsations; it may be necessary to increase the blowdown of the valve.

B. Hydrostatic Testing

When conducting a hydrostatic test involving the EBV, the sensing line to the bourdon tube should be disconnected, or isolated, to prevent damage to the bourdon tube in the controller. Be sure to reconnect the sensing line after the hydrostatic test is completed. The hydrostatic test may be conducted with the isolating gate valve closed, unless the EBV is to be subjected to the hydrostatic test, in such case, either the isolating gate valve, or the by-pass valve, should be opened.



XVI. Setting and Testing (Cont.)

3500-1/2/3 EBV and MVC-5000 Digital Controller Setting and Testing Instructions

C. MVC-5000 - Start-Up of the System

1. Prior to Start-up Checks

- The isolation valve can remain in the open or closed position. Please refer to your local operating requirements.
- Turn on the power and set the MVC-5000 digital controller to AUTO mode via either the local touchscreen, switch box, or remote panel. The MVC-5000 display will illuminate when power is applied.
- Switch the MVC-5000 to OPEN mode via either the local touch screen, switch box, or remote panel. Observe to verify that the valve rotated to the OPEN position. The MVC-5000 display and remote panel will also indicate valve position.
- Switch the MVC-5000 back to AUTO mode via either the local touchscreen, switch box, or remote panel. The valve should close, and the MVC-5000/ remote panel will display the valve position.

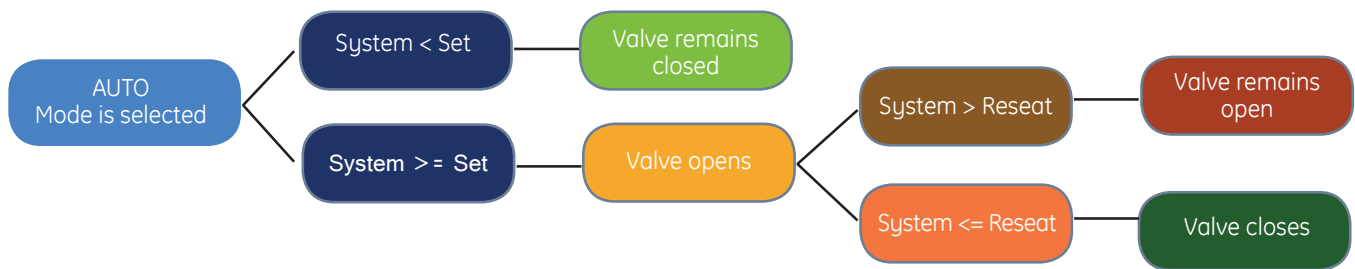
ATTENTION

Wear necessary protective equipment to prevent possible injury.

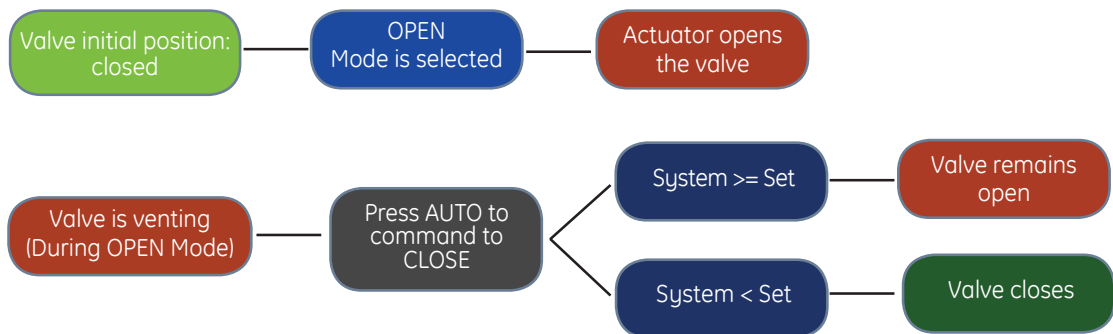
DANGER

Before disassembling the valve, ensure there is no media pressure in the vessel.

Logic decision during AUTO mode



Logic decision when valve is in OPEN mode



XVI. Setting and Testing (Cont.)

3500-1/2/3 EBV and MVC-5000 Digital Controller Setting and Testing Instructions

2. Setting of the EBV and Digital Controller

CAUTION:

Make sure that no pressure is in the valve prior to setting. If equipped with an isolation valve, close the isolation valve.

If not equipped with an isolation valve, the unit must be shut down prior to setting.

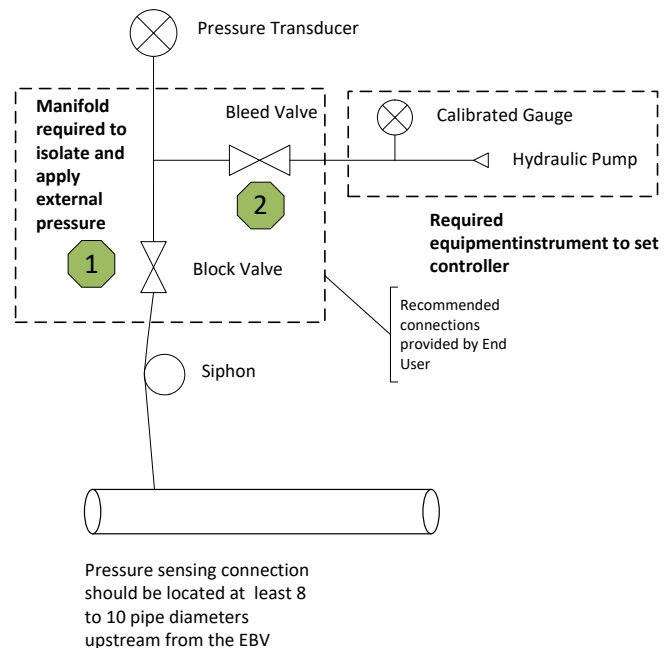
The setting of the EBV should be carried out by simulating system pressure to the pressure transducer. The figure below illustrates the equipment and instruments required to isolate the pressure transducer and apply external pressure. The following steps allow the verification of controller, actuator, and valve actuation when system pressure exceeds the nameplate pressure:

- The EBV isolation valve shall remain in the closed position to avoid venting the system.
- Turn on power and set the MVC-5000 digital controller to AUTO mode via the local touchscreen. The MVC-5000 display will illuminate when power is applied.
- Verify the EBV is in the closed position. The local digital display of the controller should read "VALVE CLOSED."
- Close the manifold block valve to isolate the pressure transducer (1)
- System pressure can be present in the siphon line and block/bleed manifold, take precaution to slowly bleed system pressure by opening the manifold bleed valve (2). Wear necessary protective equipment to prevent possible injury. Opening bleed valve can expose high-temperature gas or liquid.

SET WITH THE PRESSURE TRANSDUCER DISCONNECTED

Once the system pressure has been vented an alternative method to set/calibrate the controller is to disconnect the pressure transducer from the tubing/piping and connect it to a fixture to apply pressure. The following method is advised when pressure is present behind the block valve or the applied pressure may result in damage to the valve.

- Connect a calibration hydraulic hand pump with a calibrated gauge to the manifold bleed valve exhaust port (2). Distilled water is the recommended fluid for the hydraulic pump. Avoid using oil based hydraulic fluid.



- Verify the set pressure in the valve nameplate matches to the set pressure in the MVC-5000.
- Apply external pressure using the hydraulic pump to increase the system pressure by 200 psi (10 to 20 bar) increments not to exceed the valve set pressure. Verify the pressure reading in calibrated gauged matches the system pressure reading in the MVC-5000 controller (pressure reading from the pressure transducer). The EBV should remain in the closed position in this step.
- In this step the set pressure of the controller is verified by slowly increasing the system pressure to exceed the set pressure. Actuator rotation (actuation to open) can be verified in this step as well. Once the controller actuates the valve, maintain system pressure above set pressure. Verify the pressure reading in calibrated gauged matches the system pressure reading in the MVC-5000 controller. The controller local digital display should illuminate to read "VALVE OPENING", followed by "VALVE OPEN" when the valve reaches the travel limit.

XVI. Setting and Testing (Cont.)

3500-1/2/3 EBV and MVC-5000 Digital Controller Setting and Testing Instructions

- e. In this step the reseal pressure of the controller is verified by slowly relieving the hydraulic pressure from the pump to below set pressure. Once the controller actuates the valve, maintain system pressure below set pressure. Verify the pressure reading in calibrated gauged matches the system pressure reading in the MVC-5000 controller. The controller local digital display should illuminate to read "VALVE CLOSING", followed by "VALVE CLOSED" when the valve reaches the travel limit.
- f. Relieve all the hydraulic pressure from the pump and disconnect the apparatus from the manifold bleed valve.
- g. Allow the fluid to drain from the manifold and close the manifold bleed valve (2).
- h. Open the manifold block valve (1) and verify pressure reading from the digital controller display.

Pressure transducer calibration can be carried out by following the same steps described above. Calibration should be done by a qualified technician.

3. System Start-up

- a. If the EBV is equipped with an isolation valve, the isolation valve can remain in the open or closed position. Please refer to your local operating requirements during system start-up.

4. Adjusting the Set Pressure and Blowdown

- a. Set pressure and blowdown is set at factory or by authorized personnel for ASME Section I valve and controllers.
- b. Non- ASME controller set point and blowdown can be adjusted by opening the controller front window cover and manually enter the pressure values into the menu (touchscreen).

5. Minimum Blowdown setting

Table 5: Recommended Blowdown for ASME and Non-ASME Applications	
Seat Point	Minimum Blowdown
All Pressures	2.0% of Set Pressure

6. Hydrostatic Testing

When conducting a hydrostatic test involving the EBV, the sensing line to the pressure transducer should be disconnected, or isolated, to prevent damage to the pressure transducer. Be sure to reconnect the sensing line after the hydrostatic test is completed. The hydrostatic test may be conducted with the isolating gate valve closed, unless the EBV is to be subjected to the hydrostatic test, In such case, either the isolating gate valve, or the by-pass valve, should be opened.

XVII. Troubleshooting

3500-1/2/3 EBV and 3539 Analog Controller Troubleshooting

Table 6 is provided as a guideline to be followed should the actuator fail to function properly. If all the steps listed in Table 6 are followed and the actuator still does not function, the factory should be consulted.

Note: The valve should be isolated from system pressure while trouble shooting of the actuation system. Accidental actuation of the valve could occur.

Table 6: Actuation System Trouble Shooting		
Problem	Possible Cause	Corrective action
I. Valve will not open when over pressure occurs	1. Type 3539 pressure switch CR1 and CR2 not properly set.	Check CR1 and CR2 Settings If not correct-Reset pressure switches If correct – go to possible cause 2
	2. No air supply pressure to the solenoid valves.	Re-establish air supply pressure to the solenoid valves
	3. Solenoid valve coil burnt out.	Check solenoid coil Burnt coil - Replace coil No – Go to possible cause 4
	4. Loss of electrical power supply.	Check voltage No voltage – Re-establish electric power Has voltage – Go to possible cause 6
	5. Damaged On/OFF/AUTO selector switch in Type 2537 control station.	Check continuity of contacts No continuity – Replace switch Has continuity – Go to possible cause 6
	6. Defective high and/or low pressure switch (CR1 and CR2) in 3539 controller.	Check voltage at 3539 terminal T5 and T7 Has voltage – Go to possible cause 8 No voltage – Replace pressure switch
	7. Relay CR3 in Type 3539 failure.	Check voltage at 3539 terminals with relay coil energized T3 to T2 and T3 to T1 Has voltage – Replace relay No voltage – Go to possible cause 8
	8. Wiring or terminal plug failure.	Check all wire and terminal connections Replace as required
II. Valve will not open with the control station selector in the manual mode or recluse when put in “automatic”	1. No air supply pressure to the solenoid valves.	Re-establish air supply pressure to the solenoid valves
	2. Solenoid valve coil burnt out.	Check solenoid coil Burnt Coil – Replace coil No – Go to possible cause 3
	3. Loss of electric power supply.	Check voltage No voltage – Re-establish electric power Has Voltage – Go to possible cause 4
	4. CR5 in actuator limit switch not properly set or has failed.	Check continuity between junction box terminals 5 and 6 No Continuity – Replace switch Has continuity – Go to possible cause 6
	5. Damaged ON/OFF/AUTO selector switch in Type 2537 control station.	Check continuity of contacts No continuity – Replace switch Has continuity – Go to possible cause 6
	6. Relay CR3 in Type 3539 failure.	Check voltage at 3539 terminals with relay coil energized T3 to T2 and T3 to T1 No voltage – Replace relay Has voltage – Go to possible cause 7
	7. Wiring or terminal plug failure.	Check all wire and terminal connections Replace as required

XVII. Troubleshooting (Cont.)

3500-1/2/3 EBV and MVC-5000 Digital Controller Troubleshooting

Table 7 is provided as a guideline to be followed should the actuator fail to function properly. If all the steps listed in Table 7 hereunder are followed and the actuator still does not function, the factory should be consulted.

Note: The valve should be isolated from system pressure while trouble shooting of the actuation system. Accidental actuation of the valve could occur.

Table 7: Actuation System Trouble Shooting		
Problem	Possible Cause	Corrective Action
Valve will not open when over pressure occurs	1. Pressure transducer wires are connected to wrong terminal in the MVC-5000 .	Verify pressure transducer wires are connected to correct terminal connection of the controller
	2. No air supply pressure to the solenoid valve or poppet valves.	Re-establish air supply pressure to the solenoid valves or poppet valves
	3. Solenoid valve coil burnt out.	Check solenoid coil Burnt coil - Replace coil No-Go to possible cause 4
	4. Loss of electrical power supply.	Check voltage No voltage – Re-establish electric power Has voltage – Go to possible cause 6
	5. Damaged On/OFF/AUTO selector switch in controller switchbox.	Check continuity of contacts No continuity – Replace switch Has continuity – Go to possible cause 6
	6. Pressure transducer is not calibrated, MVC-5000 is not calibrated, or transducer is faulty.	Calibrate the transducer zero and span calibrate the MVC-5000 analog input or replace the pressure transducer
	7. MVC-5000 relay failure.	Replace the MVC-5000 terminal board
	8. MVC-5000 is in OFF mode.	Switch to AUTO mode
Valve will not open with MVC-5000 controller selection in OPEN mode or reclose when in AUTOMATIC	1. No air supply pressure to the solenoid valve or poppet valves.	Re-establish air supply pressure to the solenoid valves
	2. Solenoid valve coil burnt out.	Check solenoid coil Burnt Coil – Replace coil No – Go to possible cause 3
	3. Lose of electric power supply.	Check voltage No voltage – Re-establish electric power Has Voltage – Go to possible cause 4
	4. S1, S2 in actuator limit switch not properly set or has failed.	Check continuity between switch C and NO terminals No Continuity – Replace switch Has continuity – Go to possible cause 6
		Check continuity of contacts No continuity – Replace switch Has continuity – Go to possible cause 6
	6. MVC-5000 relay failure.	Replace the MVC-5000 terminal board
	7. Wiring or terminal plug failure.	Check all wire and terminal connections Replace as required
After open command, valve closes immediately without control	1. Pilot air is not reaching the pilot valve.	Clean or replace check valve in the air supply to the actuator
	2. Switchbox selection is in AUTO.	Move the switchbox selection to the OFF position for Non-ASME or OPEN position for ASME
Pulsating actuation	1. Pilot air is intermittently reaching the pilot valve.	Clean or replace check valve in the air supply to the actuator

XVIII. Maintenance Tools

A. Disassembly and reassembly require the following tools:

1. Stem nut removal tool (see Figure 13a for part number). For manufacturing dimensions see Figure 25 and Table 7.
2. Stem nut remover retainer plate (see Figure 13b for part number). For manufacturing dimensions see Figure 26 and Table 8.
3. Two wire "S" hook about 6" (152.4 mm) to 8" (203.2 mm) long (see Figure 12 to shape wire).
4. Yoke alignment tool (see Figures 19, 20 and 25 for identification and Table 7 for manufacturing dimensions).

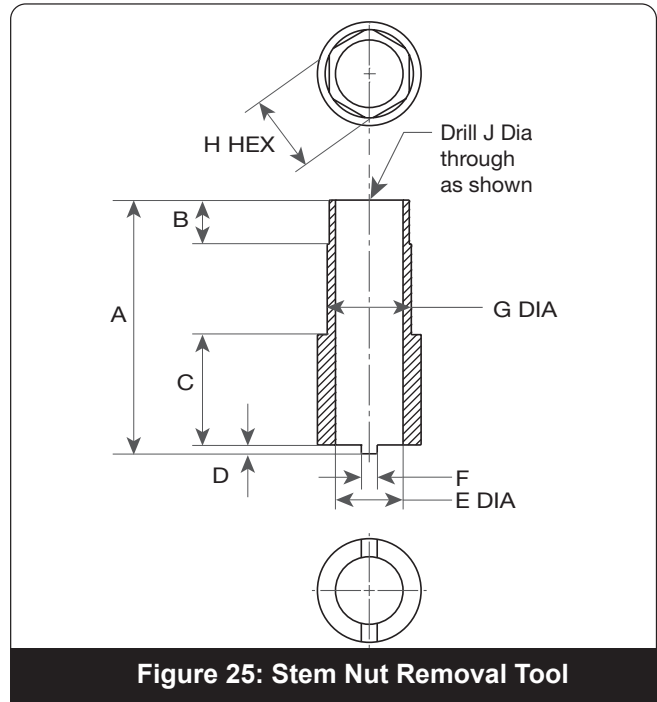


Figure 25: Stem Nut Removal Tool

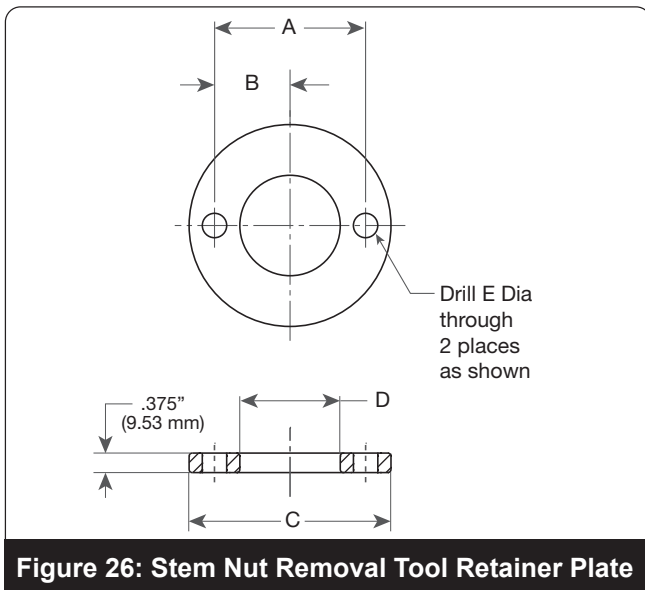


Figure 26: Stem Nut Removal Tool Retainer Plate

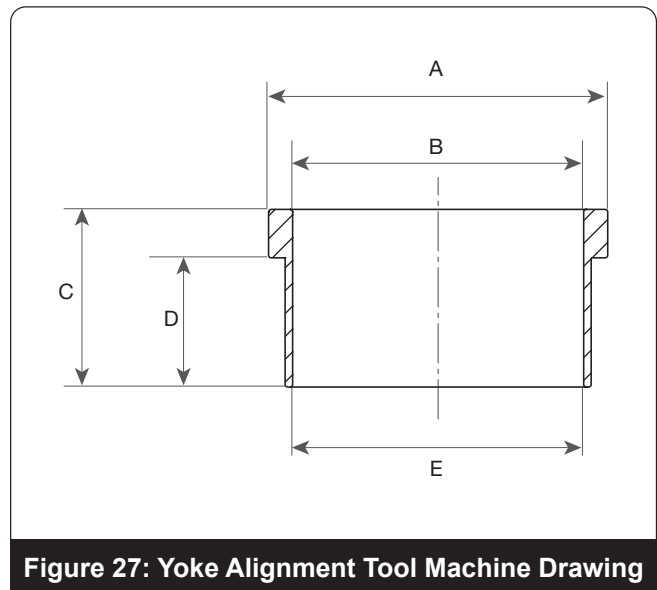


Figure 27: Yoke Alignment Tool Machine Drawing

XVIII. Maintenance Tools (Cont.)

Table 8: Machine Dimensions for Stem Nut Removal Tool																		
Valve Type	A		B		C		D		E		F		G		H		J	
	in.	mm	in.	mm	in.	mm	in.	mm	in.	mm	in.	mm	in.	mm	in.	mm	in.	mm
3515/25/16/26	3.375	85.73	1.000	25.40	1.313	33.35	.200	5.08	1.250	31.75	.220	5.59	1.125	28.58	1.000	25.40	.688	17.48
3517/27/37	5.000	127.00	1.016	0.40	2.500	63.50	.312	7.92	1.875	47.63	.360	9.14	1.625	41.28	1.500	38.10	1.188	30.18
3547/38	5.750	146.05	1.000	25.40	2.500	63.50	.200	5.08	2.350	59.69	.360	9.14	1.906	48.41	1.813	46.05	1.531	38.89

Note: For use with Stem Nut Removal Tool, (Assemblies over the removal tool, and is held in place by the packing gland stud bolts and loosely tightened nuts).

Table 9: Machining Dimensions for Stem Nut Removal Tool Retainer Plate											
Valve Type	A		B		C		D		E		
	in.	mm	in.	mm	in.	mm	in.	mm	in.	mm	
3515/25/16/26	2.063	52.40	1.031	26.19	3.000	76.20	1.141	28.98	.563	14.29	
3517/27/37	2.750	69.85	1.375	34.93	3.875	98.43	1.687	42.85	.688	17.46	
3547/38	3.625	92.08	3.625	92.08	5.000	127.00	2.062	52.37	.938	23.81	

Table 10: Machining Dimensions for Yoke Alignment Tools											
Part Number	Actuator Type	A ±.016" (0.40 mm)		B ±.001" (0.02 mm)		C ±.016" (0.40 mm)		D ±.016" (0.40 mm)		E ±.001" (0.02 mm)	
		in.	mm	in.	mm	in.	mm	in.	mm	in.	mm
7530243	LEDEEN, VA123DA	2.250	57.15	1.755	44.58	1.313	33.34	1.000	25.40	1.868	47.45
7530249	LEDEEN, GS620 and GS628	3.250	82.55	2.505	63.63	1.313	33.34	1.000	25.40	2.620	66.55
7530250	LEDEEN, SY1032 and SY1043	5.125	130.18	4.505	114.43	1.313	33.34	1.000	25.40	4.666	118.52

XIX. Replacement Parts Planning

A. General Information

The importance of maintenance planning is the key to good plant operations. Part of that planning involves making sure that replacement parts needed to repair valves are available at the job-site when required. Developing and implementing a standard valve maintenance plan will quickly pay for itself by eliminating costly downtime, unscheduled outages, etc.

B. Inventory Planning - Replacement Parts List

The basic objectives in formulating a replacement part plan are:

- Prompt availability
- Minimum down time
- Sensible cost
- Source control

Having parts immediately available from plant storeroom inventory is obviously the best way to accomplish those objectives. Since it is impractical to have every part that might be needed to accomplish a given repair in stock at all times, guidelines for establishing meaningful inventory levels are summarized in Table 11.

Table 11: Guidelines for Establishing Meaningful Inventory		
Part Description	Quantity Parts/ Number of Valves	Predicted Availability ¹
CLASS I		
1. Packing set	1/1	70%
2. Gasket	1/1	
3. Parking stop washer	1/1	
CLASS II		
4. Ball, loader/push ring, split spacer ring, belleville washer assembly	1/4	70%
5. Bearing washer	1/1	
CLASS III		
6. Drive bushing set screw	1/1	99%

1. Predicted availability means that percentage of time the user plant will have the right parts to make the proper repair on the product (i.e., if the Class I parts are stocked at the owners facility, the parts needed to repair valve in question will be immediately available in 70% of all instances.

XIX. Replacement Parts Planning (Cont.)

C. Identification and Ordering Essentials

When it becomes necessary to order a replacement part, the order should state:

- Part name
- Valve size
- Valve type
- Serial number of valve
- Valve seat bore (full bore or reduced bore as designated by "FB" or "RB" in valve code)

Example:

3515F-1-X1-FB0875

Indicates Bore Diameter 0.875"

Indicates Bore Type (FB - Full Bore or RB - Reduced Bore)

All other information will be found stamped on the nameplate attached to the body of the valve. (See Figure 28).

In addition, the serial number is stamped on the top edge of the outlet flange. Be sure to include the one or two letters preceding the figures in the serial number.

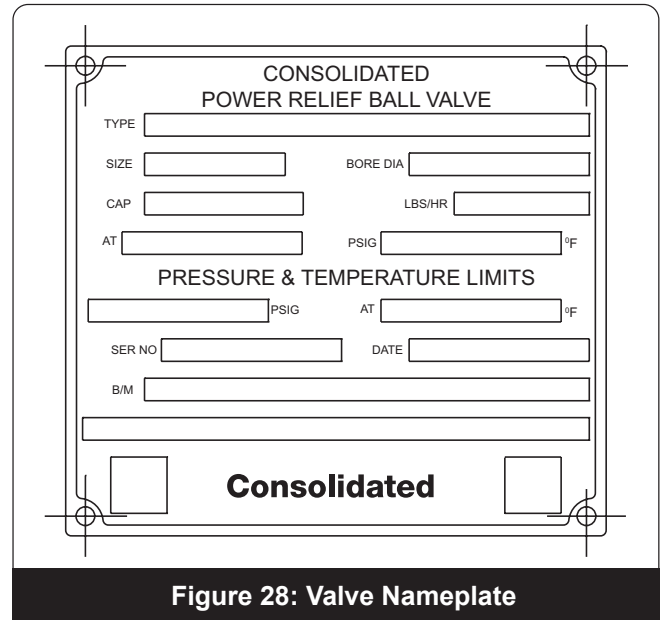


Figure 28: Valve Nameplate

XX. Genuine Consolidated Parts

The next time replacement parts are needed, keep these points in mind:

- Baker Hughes designed the parts
- Consolidated valve products have been in use since 1879
- Baker Hughes has worldwide service
- Baker Hughes has fast response availability for parts

XXI. Recommended Spare Parts

Consult the Replacement Parts List (see Section XIX.B of this manual) to define the parts to be included in the inventory plan.

Select the desired parts and determine those required for proper maintenance of the valve population in the plant.

Baker Hughes recommends keeping class I, II, and III, spare parts available, based on the number of valves in the population.

XXII. Field Service, Repair and Training Program

A. Field Service

Utilities and process industries expect and demand service at a moment's notice. Baker Hughes's field service can be depended upon for prompt response, even in extreme off-hour emergency situations.

Baker Hughes maintains the largest and most competent field service staff in the industry. Service engineers are located at strategic points throughout the United States to respond to customers' requirements for service. Each Service Engineer is factory trained and long experienced in servicing safety valves. Baker Hughes's service engineers restore disc and seat bushing critical dimensions which affect valve performance, and are capable of modernizing valves in the field.

For further information, please contact your local Green Tag Center (GTC)..

B. Factory Repair Facilities

Baker Hughes's Consolidated factory maintains a repair center. The repair department, in conjunction with the manufacturing facilities, is equipped to perform specialized repairs and product modifications, e.g. bushing replacements, hydroset calibrations, electromatic relief valve repairs, etc.

For further information, please contact your local Green Tag Center (GTC).

C. Safety Valve Maintenance Training

Rising costs of maintenance and repair in the Utility and Process Industries indicate the need for trained maintenance personnel. Baker Hughes conducts service seminars that can help your maintenance and engineering personnel to reduce these costs.

Seminars, conducted either at your site, or at our manufacturing plant, provide participants with an introduction to the basics of preventative maintenance. These seminars help to minimize downtime, reduce unplanned repairs and increase valve safety. While they do not make "instant" experts, they do provide the participants with "Hands On" experience with Consolidated valves. The seminar also includes valve terminology and nomenclature, component inspection, trouble shooting, setting and testing, with emphasis on the ASME Boiler and Pressure Vessel Code.

For further information, please contact your local Green Tag Center (GTC).

Direct Sales Office Locations

Australia

Brisbane
Phone: +61-7-3001-4319

Perth
Phone: +61-8-6595-7018

Melbourne
Phone: +61-3-8807-6002

Brazil

Phone: +55-19-2104-6900

China

Phone: +86-10-5738-8888

France

Courbevoie
Phone: +33-1-4904-9000

India

Mumbai
Phone: +91-22-8354790

New Delhi

Phone: +91-11-2-6164175

Italy

Phone: +39-081-7892-111

Japan

Tokyo
Phone: +81-03-6871-9008

Korea

Phone: +82-2-2274-0748

Malaysia

Phone: +60-3-2161-03228

Mexico

Phone: +52-55-3640-5060

Russia

Veliky Novgorod
Phone: +7-8162-55-7898

Moscow

Phone: +7-495-585-1276

Saudi Arabia

Phone: +966-3-341-0278

Singapore

Phone: +65-6861-6100

South Africa

Phone: +27-11-452-1550

**South & Central
America and the Caribbean**

Phone: +55-12-2134-1201

Spain

Phone: +34-935-877-605

United Arab Emirates

Phone: +971-4-8991-777

United Kingdom

Phone: +44-7919-382-156

United States

Houston, Texas
Phone: +1-713-966-3600

Find the nearest local Channel Partner in your area:

valves.bakerhughes.com/contact-us

Tech Field Support & Warranty:

Phone: +1-866-827-5378

valvesupport@bakerhughes.com

valves.bakerhughes.com

Copyright 2020 Baker Hughes Company. All rights reserved. Baker Hughes provides this information on an "as is" basis for general information purposes. Baker Hughes does not make any representation as to the accuracy or completeness of the information and makes no warranties of any kind, specific, implied or oral, to the fullest extent permissible by law, including those of merchantability and fitness for a particular purpose or use. Baker Hughes hereby disclaims any and all liability for any direct, indirect, consequential or special damages, claims for lost profits, or third party claims arising from the use of the information, whether a claim is asserted in contract, tort, or otherwise. Baker Hughes reserves the right to make changes in specifications and features shown herein, or discontinue the product described at any time without notice or obligation. Contact your Baker Hughes representative for the most current information. The Baker Hughes logo, Consolidated, Electromatic, and Green Tag are trademarks of Baker Hughes Company. Other company names and product names used in this document are the registered trademarks or trademarks of their respective owners.

Baker Hughes 

bakerhughes.com