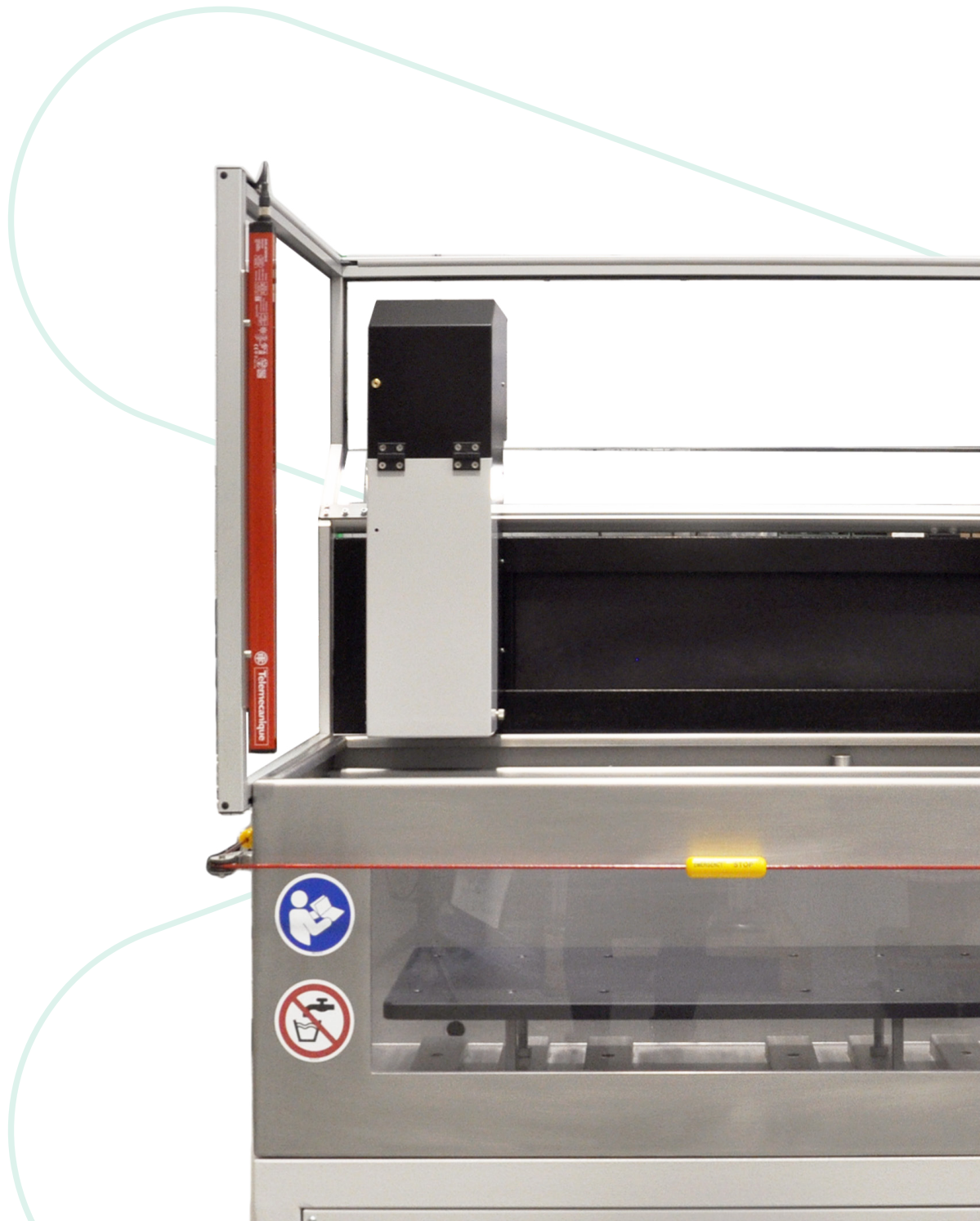


Krautkrömer Lab Tank

Clinical inspections. Designed for industry.



A legacy of innovation.

As the world's digital industrial leader, Waygate Technologies moves industry forward with advanced technology, unprecedented data, and constant innovation. And our long-established family of Krautkrämer Lab Tanks is no exception.

With the new Krautkrämer Lab Tank, industrial tank inspections are simpler and smarter than ever before.

This adaptable ultrasonic immersion tank delivers the highest quality diagnostics for more accurate readings and more proactive decisions—solving inspection needs across a range of industries. It gives users flexibility and control over their processes today, with the ability to adapt tomorrow if those needs change.

Steel & specialty metals

Non-ferrous metals

Aviation

Automotive

Laboratory and R&D UT inspections

Designed for safe & flexible use.

The Krautkrämer Lab Tank was strategically designed with efficiency and safety in mind. This automatic ultrasonic C-scan inspection platform is an easy-to-use analytic instrument that minimizes risk and maximizes productivity.



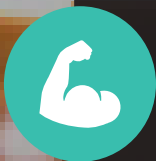
Top-Notch Protection

Scan safely and stress-free with Health and Safety features like safety fences, light barriers, and fully enclosed axes and cables.



Easy Operation

Combined with many available tools and accessories, such as a remote Pendant, several motorized axis combinations, turntable, tailstock, or rollers, you can operate this system with just the push of a button.



Durable & Ergonomic Architecture

Its rugged, stainless steel design withstands heavy use, and its low profile is specifically engineered to streamline the loading and unloading of samples—helping to increase uptime and streamline workflows.



Modular Construction

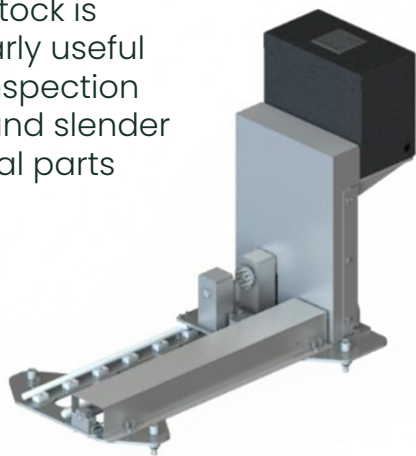
With more combinations of types and sizes available, you get more flexibility than ever before for a range of applications and scanning needs.

Customizable to meet your inspection needs.

With many available accessories and unique software platforms, the Krautkrämer Lab Tanks can be customized for a wide range of scanning needs.

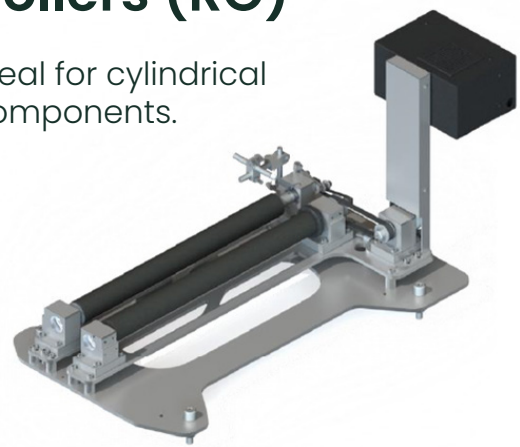
Tailstock (TS)

The Tailstock is particularly useful for the inspection of long and slender cylindrical parts



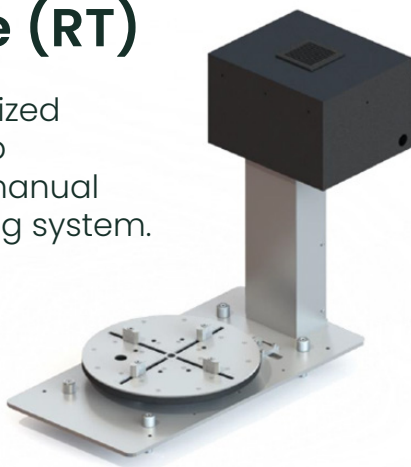
Indexable Rollers (RO)

Ideal for cylindrical components.



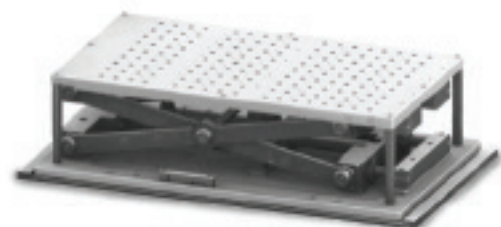
Rotary table (RT)

A motorized tabletop with a manual centering system.



Lifting Table (LT)

A flat table, designed for automated loading and unloading of test parts.



Multiple opportunities for tank and axis configuration.

The Krautkrämer Lab Tanks are available in different sizes to meet the inspection needs and are preconfigured for the installation of additional axes to expand scanning capabilities.

Tank frame sizes

The LAB Tank frames are available with different widths (500-750-1000-1000SQ) and depth (Standard and Deep) to fit the sizes of the part to be inspected.

Standard 2-Axis + 1

The standard axis configuration is a motorized X and Y with a manual Z-axis. This allows for the scanning of flat components at a reduced cost.

Advanced Z-Axis configurations

The motorized linear Z-Axis is PLC-controlled and allows vertical automatic displacement of the probe. It can be extended with addition rotary axis for motorized probe manipulation.

External Axis (R)

The LAB Tank can also be combined with external Rotary table (RT), Rollers (RO) or Tailstock (TS) to make ta further advanced motion for cylindrical parts inspection.

Software that enables you to do more.

Simplify processes with EXAMINER.

With a user-friendly interface, this software makes managing scan parameters and generating inspection batch scans easy.

- Choose axis movement

- Easily select coordinates

- Manual axis control movement

- Specifically select individual scan patterns

- Records data (including full A-Scan) and plots C-Scan in real time

- Exports the recorded scan data for post processing in several formats

C-scan imaging in post-processing with Examiner Analysis.

Examiner Analysis software is a multifunctional tool that evaluates data in a highly sophisticated and versatile way. It displays ultrasonic data as A/B/C Scans, giving users better analytic capabilities.

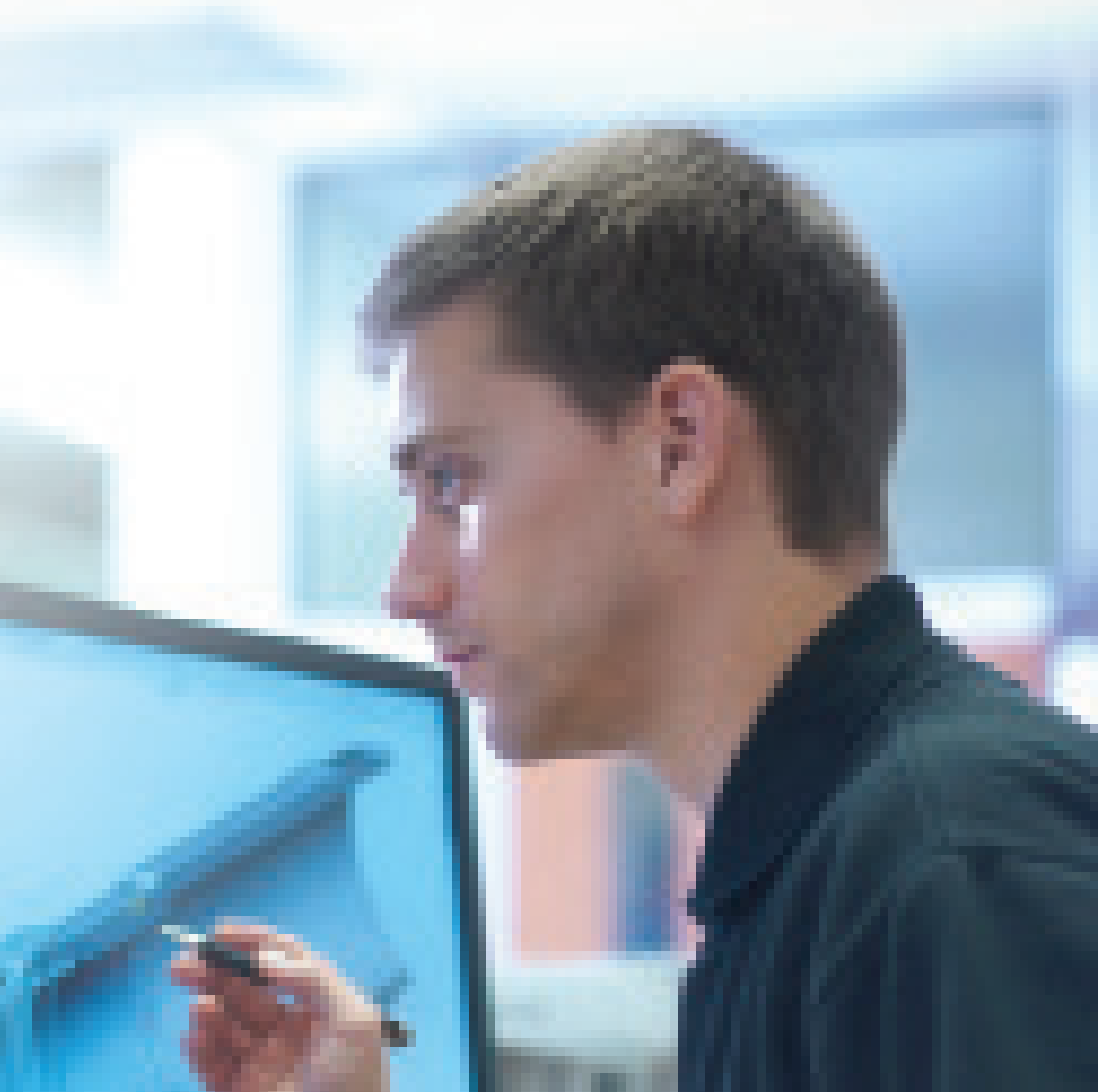
- Offline analysis

- Customizable reporting features with dedicated plugins

- Modular plugin extensions for dedicated data evaluation following international standards (e.g. SEP1927, NACE TM0284)

- Post processing on stored gated data or full A-Scan for all acquired probes

**Experience higher quality
diagnostics, easier operation,
and better decisions.**





Tomorrow's inspection. Today.

With its modular design, variety of customizable options, and easy-to-use software, the Krautkrämer Lab Tank gives operators more flexibility and control over their systems. Combined with the analytic capabilities of ultrasonics, this technology is just one example of how Waygate Technologies is bringing inspection further than ever before.

To find out how you can optimize your inspections, go to [waygate-tech.com](https://www.waygate-tech.com).

© 2020 Baker Hughes. All Rights Reserved. Specifications are subject to change without notice. Other company or product names mentioned in this document may be trademarks or registered trademarks of their respective companies, which are not affiliated with Baker Hughes.

GEIT-60030 (01/2020)

 **Waygate
Technologies**
a Baker Hughes business
[waygate-tech.com](https://www.waygate-tech.com)