

Radiation Resistant Proximity System

Datasheet

Bently Nevada Machinery Condition Monitoring

141595 Rev. J



Description

The Bently Nevada Radiation Resistant Proximity Transducer System enables you to monitor pumps, motors, and other rotating machinery operating in gamma-radiation environments.

The Radiation Resistant Proximity Transducer System consists of:

- A 0.300 or 0.420 radiation resistant probe
- A radiation-resistant extension cable
- A XL Radiation Resistant Proximitor Sensor

The Radiation Resistant Proximity Transducer System maintains its signal integrity better than standard Bently Nevada systems when exposed to gamma-radiation environments. The systems are available with probe diameters of 0.300 and 0.420 inches, each with different linear ranges. The 0.300 system is available in 15-, 40-, and 110-foot lengths, and the 0.420 system is available in a 15-foot length only. The longer 40- and 110-foot systems allow you to remotely locate the Proximitor Sensor, minimizing the Proximitor Sensor's exposure to radiation and extending its operational life.

The 330280 Proximitor Sensor is backward compatible and interchangeable with the 36363 0.300 Proximitor Sensor, and the 330281 Proximitor Sensor is backward compatible and interchangeable with the 23268 0.420 Proximitor Sensor.

The Radiation Resistant Proximity Transducer System is compatible with 3300 and 3500 Series Monitoring Systems that have been modified to use the previous 36363 or 23268 Radiation Resistant Systems. Please contact your local Bently Nevada sales professional for information on specific monitor modifications.



Proximito Sensor

The XL Proximito Sensor physical packaging permits high-density DIN-rail installation. It can also be mounted in a traditional panel mount configuration, where it shares an identical "footprint" to older 4-hole mounted Proximito Sensor designs. Both mounting base options provide electrical isolation and eliminate the need for separate isolator plates. Improved RFI/EMI immunity allows the XL Proximito Sensor to achieve European CE mark approvals without requiring special shielded conduit or metallic housings, resulting in lower installation costs and complexity.

The XL's SpringLoc terminal strips require no special installation tools and facilitate faster, more robust field wiring connections by eliminating screw-type clamping mechanisms that can loosen over time.

Specifications

Unless otherwise noted, these specifications describe a Proximitor Sensor, extension cable, and probe under these conditions:

- At +22°C (+72 °F).
- Using a -24 Vdc power supply, a 10 kΩ load, and an AISI E4140 steel target

Unless noted, these specifications apply before irradiation.

Electrical

Electrical	Accepts one non-contacting Radiation Resistant Proximity Probe and Extension Cable
Power	Requires -17.5 Vdc to -26 Vdc without barriers at 18 mA maximum consumption. Operation at a more positive voltage than -23.5 Vdc can result in reduced linear range
Output Resistance	50 Ω
0.300 Probe dc resistance (nominal) (Rprobe)	1.6 Ω + 0.426 Ω/m (0.130 Ω/ft)
0.420 Probe dc resistance (nominal) (Rprobe)	2.5 Ω + 0.410 Ω/m (0.125 Ω/ft)
Extension Cable dc Resistance (nominal)	
Center conductor (Rcore)	0.36 Ω/m (0.11 Ω/ft)
Shield conductor (Rjacket)	0.023 Ω/m (0.007 Ω/ft)
Extension cable capacitance (nominal)	63 pF/m (19.2 pF/ft)
Field wiring	0.2 to 1.5 mm ² (16 to 24 AWG) Recommend using 3 conductor shielded triaxial cable field wiring. Maximum length of 305 metres (1,000 feet) between the XL Proximitor Sensor and the monitor. See the frequency response graph for signal roll off at high frequencies when using longer field wiring lengths.

Linear Range	
0.300 inch, 15-foot system	Linear range begins at -4.5 Vdc, approximately 0.5 mm (20 mils) from target and is from 0.5 to 1.75 mm (20 to 70 mils).
0.300 inch, 40-foot system	Linear range begins at -4.5 Vdc, approximately 1 mm (40 mils) from target and is from 1 to 2.25 mm (40 to 90 mils).
0.300 inch, 110-foot system	Linear range begins at -4.5 Vdc, approximately 1 mm (40 mils) from target and is from 1 to 2.25 mm (40 to 90 mils).
0.420 inch, 15-foot system	Linear range begins at -5.0 Vdc, approximately 1.0 mm (40 mils) from target and is from 1.0 to 3.3 mm (40 to 130 mils).

Incremental Scale Factor (ISF)	
0.300 inch, 15-foot system	3.94 mV/μm (100 mV/mil) ±15% including interchangeability error when measured in increments of 0.25 mm (10 mils) over the 1.25 mm (50 mil) linear range.
0.300 inch, 40-foot system	3.94 mV/μm (100 mV/mil) ±17% including interchangeability error when measured in increments of 0.25 mm (10 mils) over the 1.25 mm (50 mil) linear range.
0.300 inch, 110-foot system	3.94 mV/μm (100 mV/mil) ±20% including interchangeability error when measured in increments of 0.25 mm (10 mils) over the 1.25 mm (50 mil) linear range.
0.420 inch, 15-foot system	3.94 mV/μm (100 mV/mil) ±15% including interchangeability error when measured in increments of 0.25 mm (10 mils) over the 2.25 mm (90 mil) linear range.

Frequency Response	
15-foot systems	0 to 10 kHz: +0, -3dB, with up to 305 metres (1000 feet) of field wiring
40-foot system	0 to 9 kHz: +0, -3dB, with up to 305 metres (1000 feet) of field wiring
110-foot system	0 to 5 kHz: +0, -3dB, with up to 305 metres (1000 feet) of field wiring

Mechanical

Probe Tip Material	Fiberglass reinforced epoxy with anhydride curing
Probe Case Material	300 series stainless steel
Probe and extension cable specifications	85 Ω coaxial, Tefzel insulated cable
Proximator sensor material	A308 aluminum
Proximator and housing weight	198.4 g (0.44 lb)
Proximator without housing weight	136.0 grams (0.30 lb)
Extension cable armor (optional)	Flexible stainless steel with Tefzel outer jacket
Tensile strength (maximum rated)	133 N (30.0 pounds) probe case to probe lead and probe lead to extension cable connectors
Connector material	Gold-plated brass
Probe case torque	33.9 Nm (300 in lb)
Total system weight (typical)	1.0 kg (2.2 lb)

Environmental Limits

Operating and Storage Temperature Range	
Probe	-29 °C to +150 °C (-20 °F to +302 °F)
Extension cable	-29 °C to +150 °C (-20 °F to +302 °F)
Proximator Sensor	-51 °C to +100 °C (-60 °F to +212 °F)
Relative humidity	Less than a 3% change in Average Scale Factor (ASF) when tested in accordance with IEC standard 68-2-66
System radiation limit	6.0 Mrads (gamma maximum integrated dose)



We recommend a maximum 6 Mrads exposure. See Summary Radiation Testing Report

Table 1: Radiation Degradation Factor

After 6.0 Mrads Gamma			
0.300 System	15-Foot System	40-Foot System	110-Foot System
Average scale factor change	- 5.7%	-12.2%	-17.0%
Voltage change at linear range end	-0.4 V	-1 V	-1.1 V
0.420 Proximator			15-Foot System
Average scale factor change			-21.6%
Voltage change at linear range end			-0.56 V

Summary Radiation Testing Report

Bently Nevada completed a series of tests to ensure that the product will meet the specifications contained in this document. The information below outlines the details regarding the testing and irradiation. The customer can use this information to validate how the product is used and infer how the product could change with gamma-radiation exposures.

Important items about the testing

These are limitations and boundary conditions.

- The Device Under Test (DUT) will have the largest parameter shift when the unit is powered up and being irradiated at the same time.
- The gamma-radiation was from a Co60 source. Many 16-inch-long rods were placed in a circular pattern around the DUT to establish uniform radiation and exposure levels around the DUT. The length of the rods ensured that the top and bottom of the DUT were also being irradiated, albeit at a slightly lower level. The dosage rate is the sum effect of all of the rays intersecting at the DUT.

The product was not designed or tested:

- To be a part of the control loop as the product design is for monitoring purposes only,
- For LOCA (loss of coolant accident), sometimes called LOC (loss of coolant), events,
- To withstand neutron radiation, or
- For spike or burst events.

Observation

We tested a representative sampling of the units and none of the tested units failed. However, the numbers of units tested at the higher radiation levels did not constitute a significant sample size to guarantee the product at these higher levels. Any observation or extrapolation of this data is not a guarantee of the product performance.

9 Mrads	
ASF Change	Voltage change @ linear range end
-7.61%	-0.57 Vdc

ASF = Average Scale Factor

Compliance and Certifications

FCC

This device complies with part 15 of the FCC Rules. Operation is subject to the following two conditions:

- This device may not cause harmful interference.
- This device must accept any interference received, including interference that may cause undesired operation.

RoHS

RoHS Directive 2011/65/EU

EMC

EMC Directive 2014/30/EU

Ordering Information



For the detailed listing of country and product specific approvals, refer to the *Approvals Quick Reference Guide* (108M1756) available from Bently.com.

Radiation Resistant Probes

36448 0.300 inch, 3/8-24 UNF thread, 5/16-inch wrench flats, without armor

27482 0.300 inch, 3/8-24 UNF thread, 5/16-inch wrench flats, with armor

36447 0.300 inch, M10 x 1, 8 mm wrench flats, without armor

36446 0.300 inch, M10 x 1, 8 mm wrench flats, without armor

Part Number-AA-BB-CC

A: Unthreaded Length Option

	English Thread Configurations Maximum unthreaded length: 8.8 in Minimum unthreaded length: 0.0 in
Example	04 = 0.4 in



Unthreaded length must be at least 0.8 inches less than the case length. Order in increments of 0.1 in.

	Metric Thread Configurations Maximum unthreaded length: 230 mm Minimum unthreaded length: 0.0 mm
Example	06 = 60 mm



Unthreaded length must be at least 20 mm less than the case length. Order in increments of 10 mm.

B: Overall Case Length Option

	English Thread Configurations Maximum case length: 9.6 in Minimum case length: 0.8 in
Example	24 = 2.4 in Order in increments of 0.4 in.
	Metric Thread Configurations Maximum case length: 250mm

	Minimum case length: 20 mm
Example	06 = 60 mm Order in increments of 10 mm
C: Total Electrical length Option	
18	18 inches (0.46 meter)
36	36 inches (0.91 meter)
For 36448 and 27482 Probes only	
72	72 inches (1.82 meters)

Reverse Mount Radiation Resistant Probes

27485 -AA 0.300 inch, 3/8-24 UNF threads

19056 - AA 0.420 inch, 3/8-24 UNF threads

A: Total Electrical Length Option

18	18 inches (0.46 meter) (Option for 27485 ONLY)
36	36 inches (0.91 meter)

0.300 inch Radiation Resistant Extension Cable

27490 - AAAA-BB

A: Cable Length Option

0090	9.0 feet (2.74 metres)
0120	12.0 feet (3.66 metres)
0135	13.5 feet (4.12 metres)
0340	34.0 feet (10.36 metres)
0370	37.0 feet (11.28 metres)
0385	38.5 feet (11.73 metres)
1040	104.0 feet (31.70 metres)
1070	107.0 feet (32.60 metres)
1085	108.5 feet (33.08 metres)

B: Armor Option


00	Without armor
01	With armor

0.420 inch Radiation Resistant Extension Cable

127502 - AA

A: Armor Option

00	Without armor
01	With armor

 Length = 12.0 feet (3.66 metres) only.

0.300 inch Radiation Resistant Proximator Sensor


330280 - AA-BB

0.420 inch Radiation Resistant Proximator Sensor

330281 - AA-BB

A: System Length Option

015	15 feet (4.6 meters)
040	40 feet (12.2 meters)
110	110 feet (33.5 meters)

 040 and 110 are options for the 330280 only

B: Mounting Option

00	Panel mount hardware
01	DIN mount hardware

Accessories

02173100	Tefzel bulk field wire. 1.0 mm ² (18 AWG), 3-conductor, twisted cable, drain wire, and aluminum shield. Specify length in feet.
138492-01	Replacement panel-mount mounting pad
138493-01	Replacement DIN-mount mounting pad

148722-01	XL Test Plug. The XL Test Plug contains three small test pins attached to three color-coded wires 1 meter in length, each terminated in a banana plug. The 3-pin adapter plugs into the test pinholes on XL-style Proximator Sensors. It is used to check the performance of the Proximator Sensor from the test pin holes in the terminal strip without requiring the removal of the field wiring.
04310310	XL Proximator Sensor Panel-mount Screws. Package includes four 6-32 UNC thread forming mounting screw.
04301007	3/8-24 Probe Lock Nut with safety wire holes. Single probe lock nut with two holes drilled through the nut in order to secure the lock nut in place with safety wire.
04301008	M10 x 1 Probe Lock Nut with safety wire holes. Single probe lock nut with two holes drilled through the nut to secure the lock nut in place with safety wire.
00510400	Male extension cable connector for probes and extension cables.
00510401	Female extension cable connector.
163356	Connector Crimp Tool Kit. Includes connector installation instructions, and carrying case.
Bently_Manuals	Customer DVD containing all Bently Manuals, FWD, App Notes, and Install Guides in all available languages.

Graphs and Figures

Note: All dimensions shown in millimetres [inches] except as noted

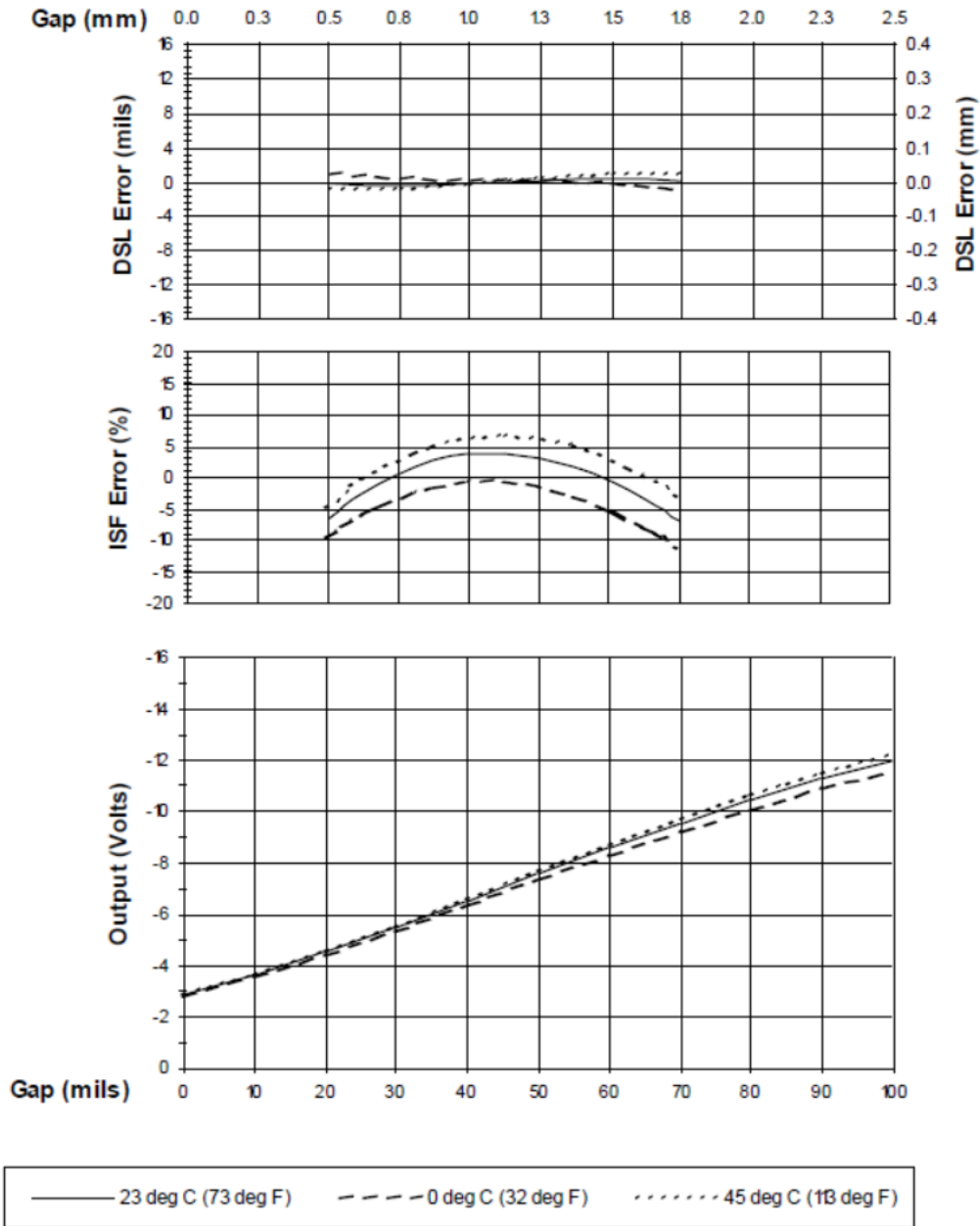


Figure 1: Typical Radiation Resistant 0.300" 15-ft System over ambient Temperature Range

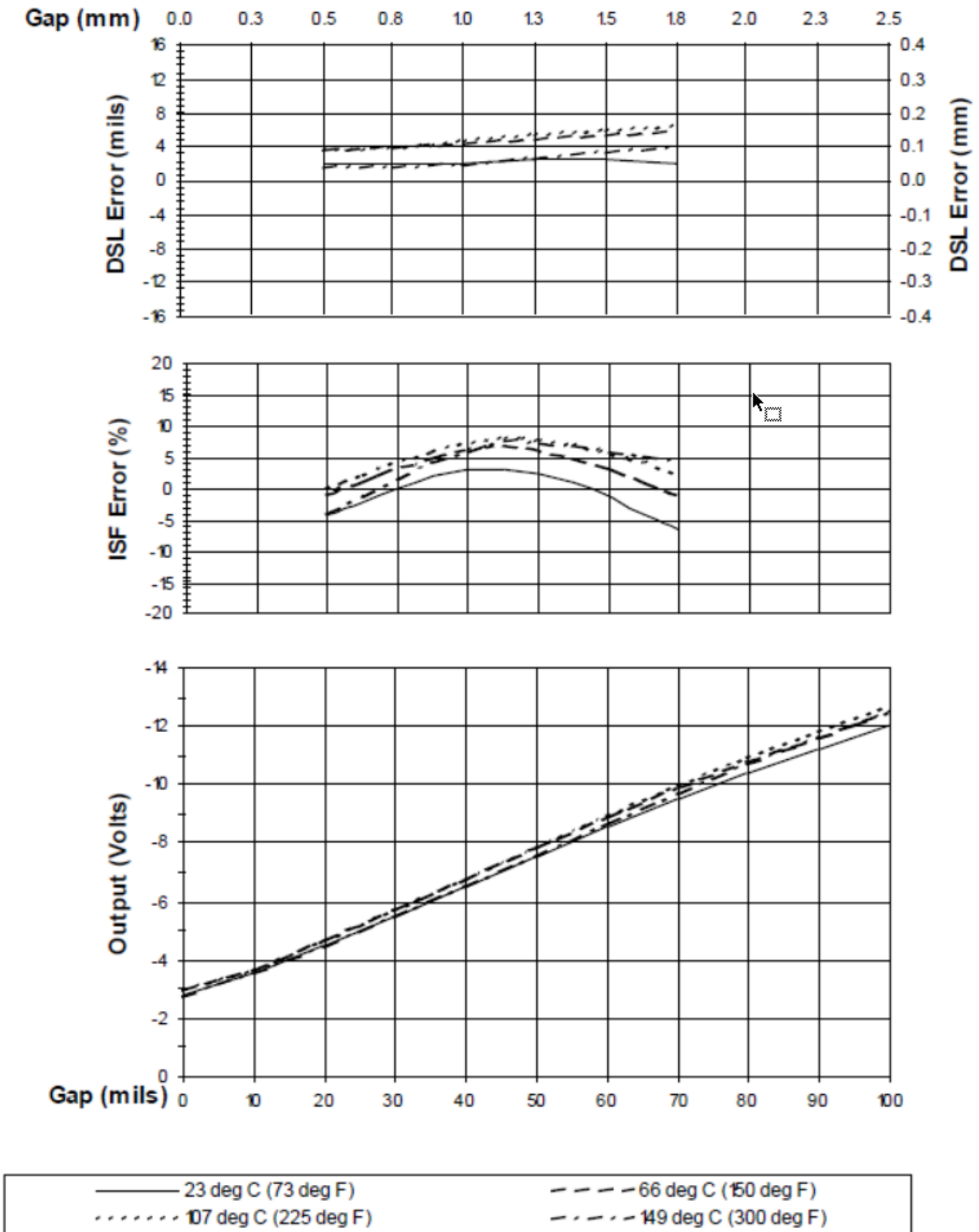


Figure 2: Typical Radiation Resistant 0.300" 15-ft Probe Only @ Th

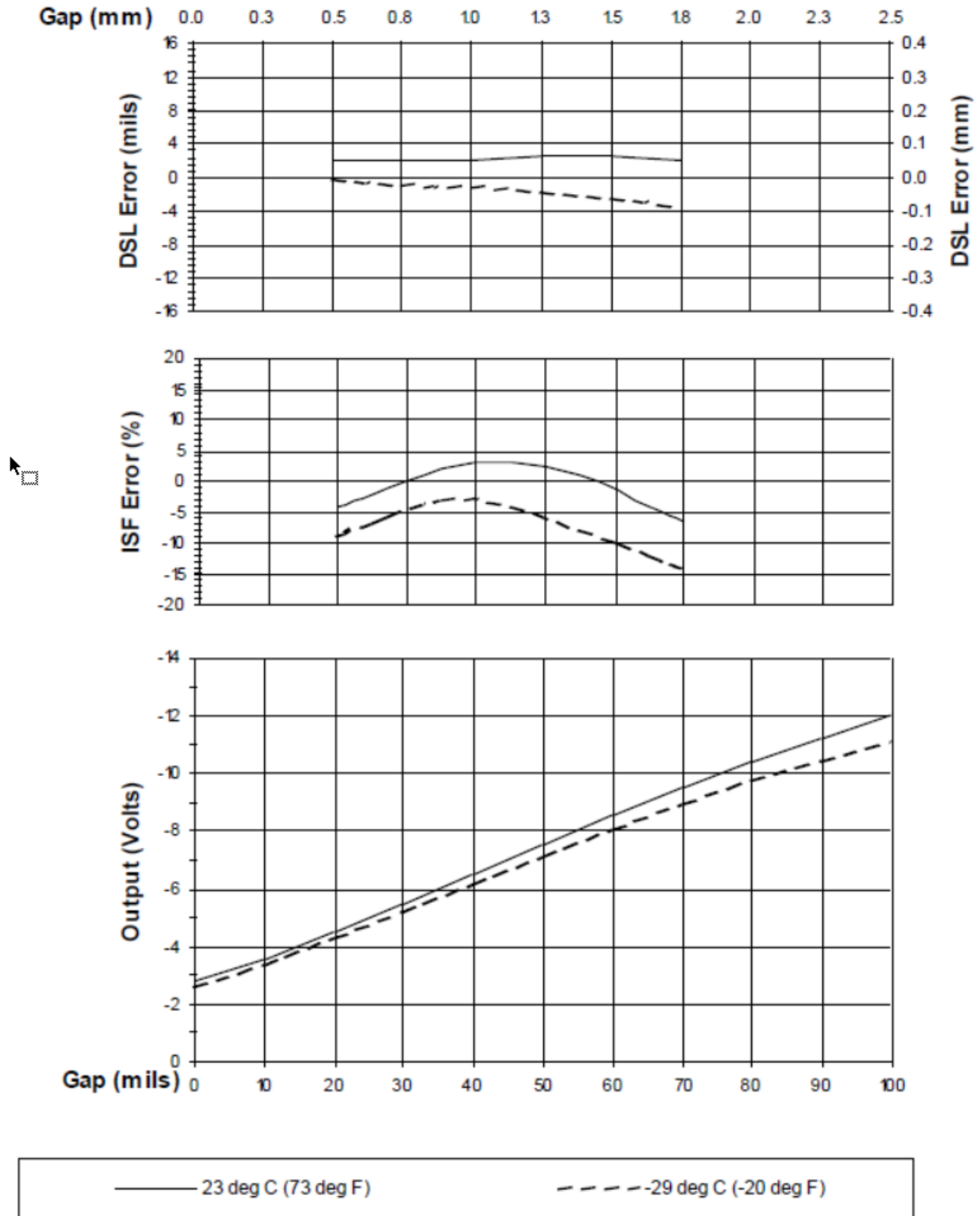


Figure 3: Typical Radiation Resistant 0.300" 15-ft Probe Only @ Tc

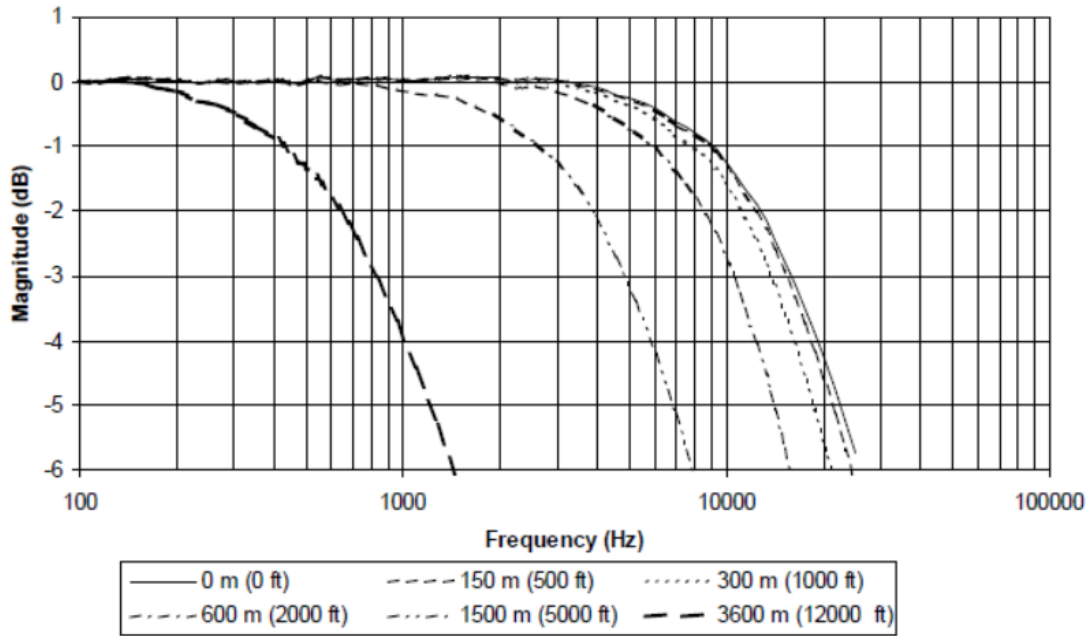


Figure 4: Frequency Response, typical Radiation Resistant 0.300" 15-ft System with varying lengths of field wiring attached, no barriers

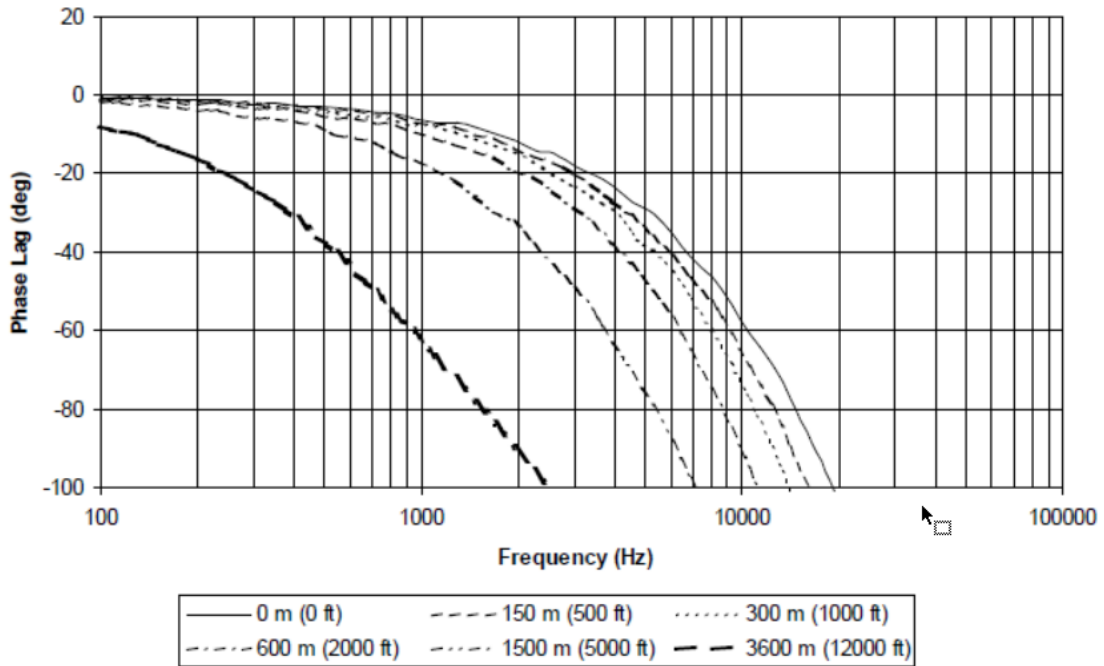


Figure 5: Phase Response, typical Radiation Resistant 0.300" 15-ft System with varying lengths of field wiring attached, no barriers

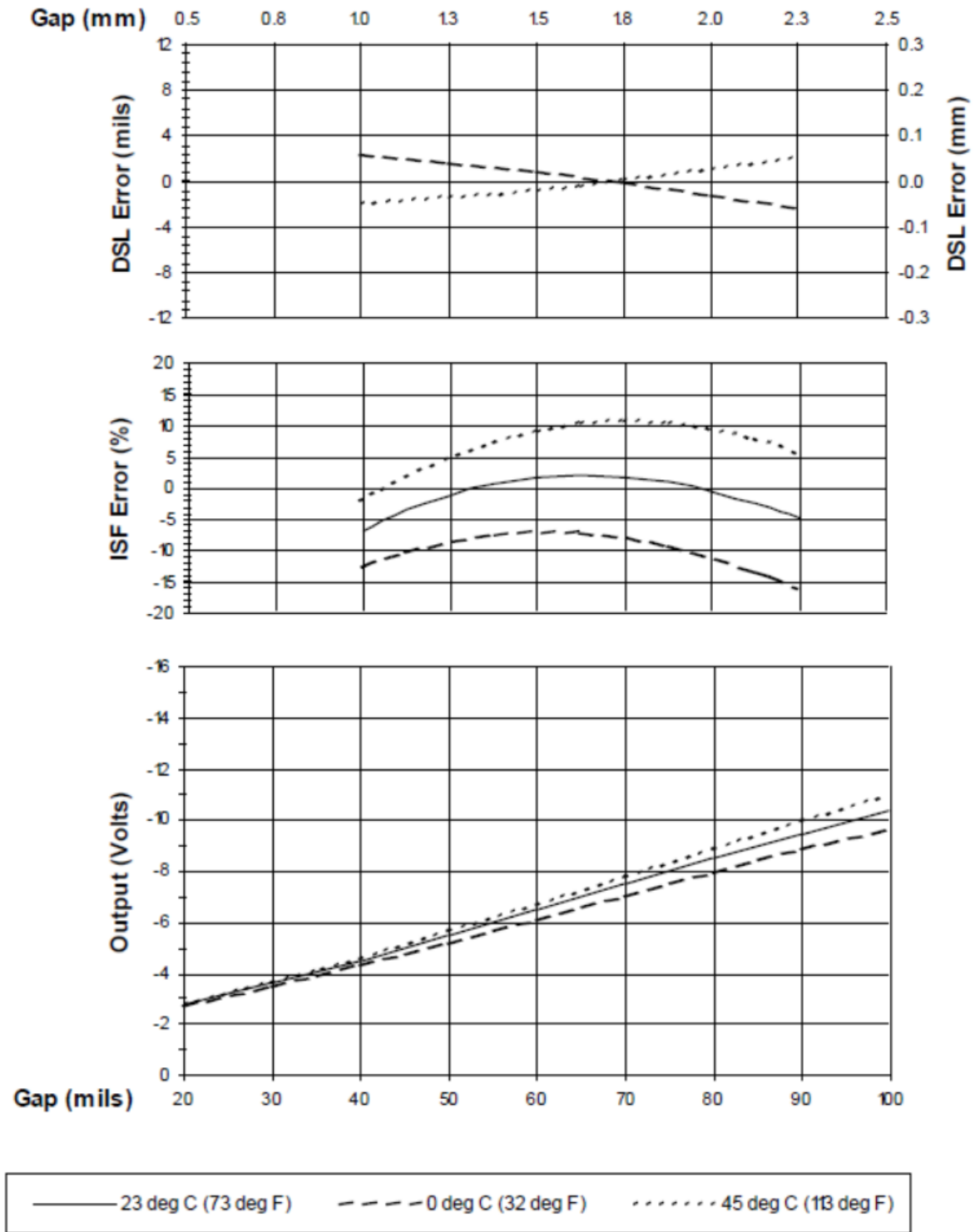


Figure 6: Typical Radiation Resistant 0.300" 40-ft System over ambient Temperature Range

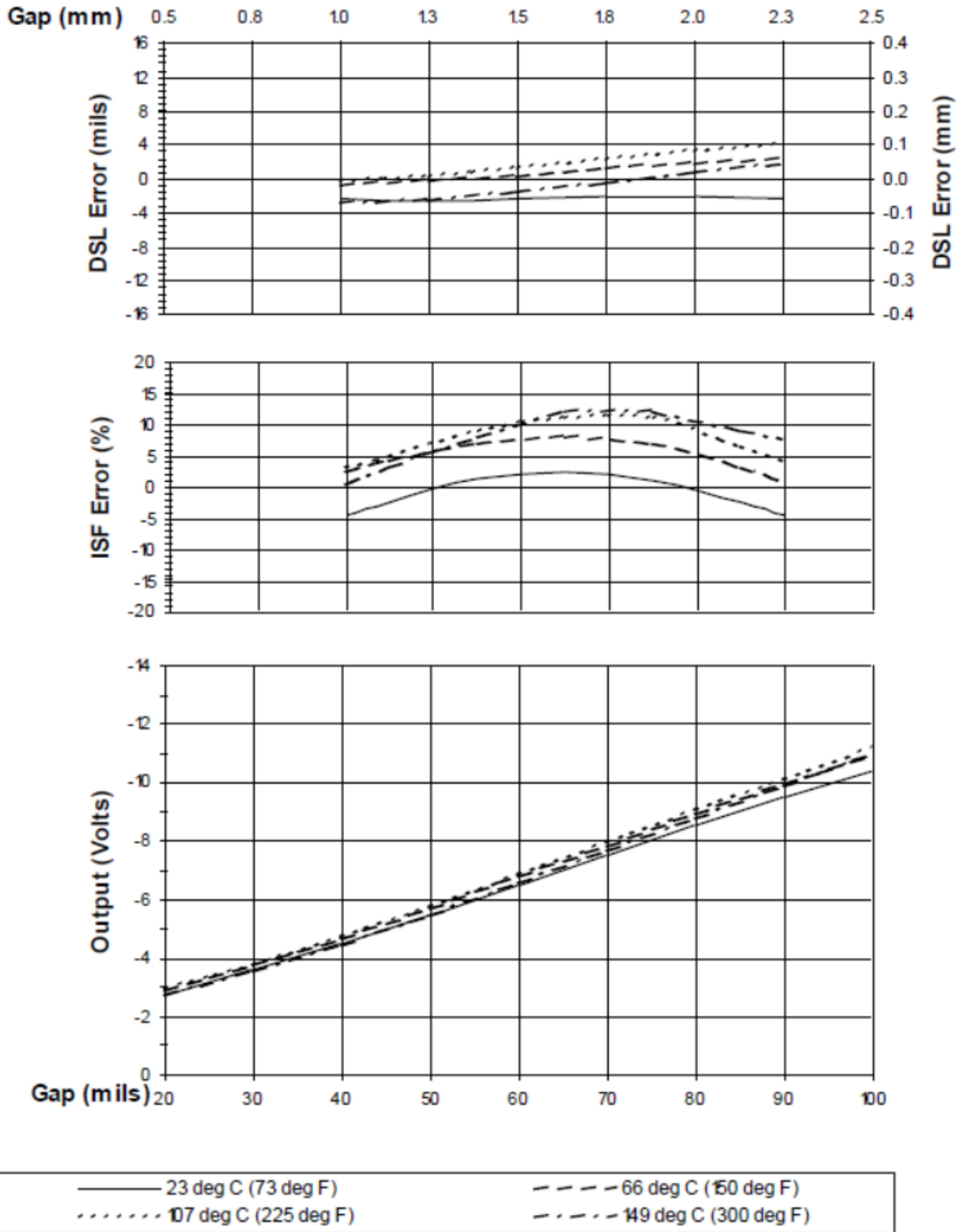


Figure 7: Typical Radiation Resistant 0.300" 40-ft Probe Only @ Th

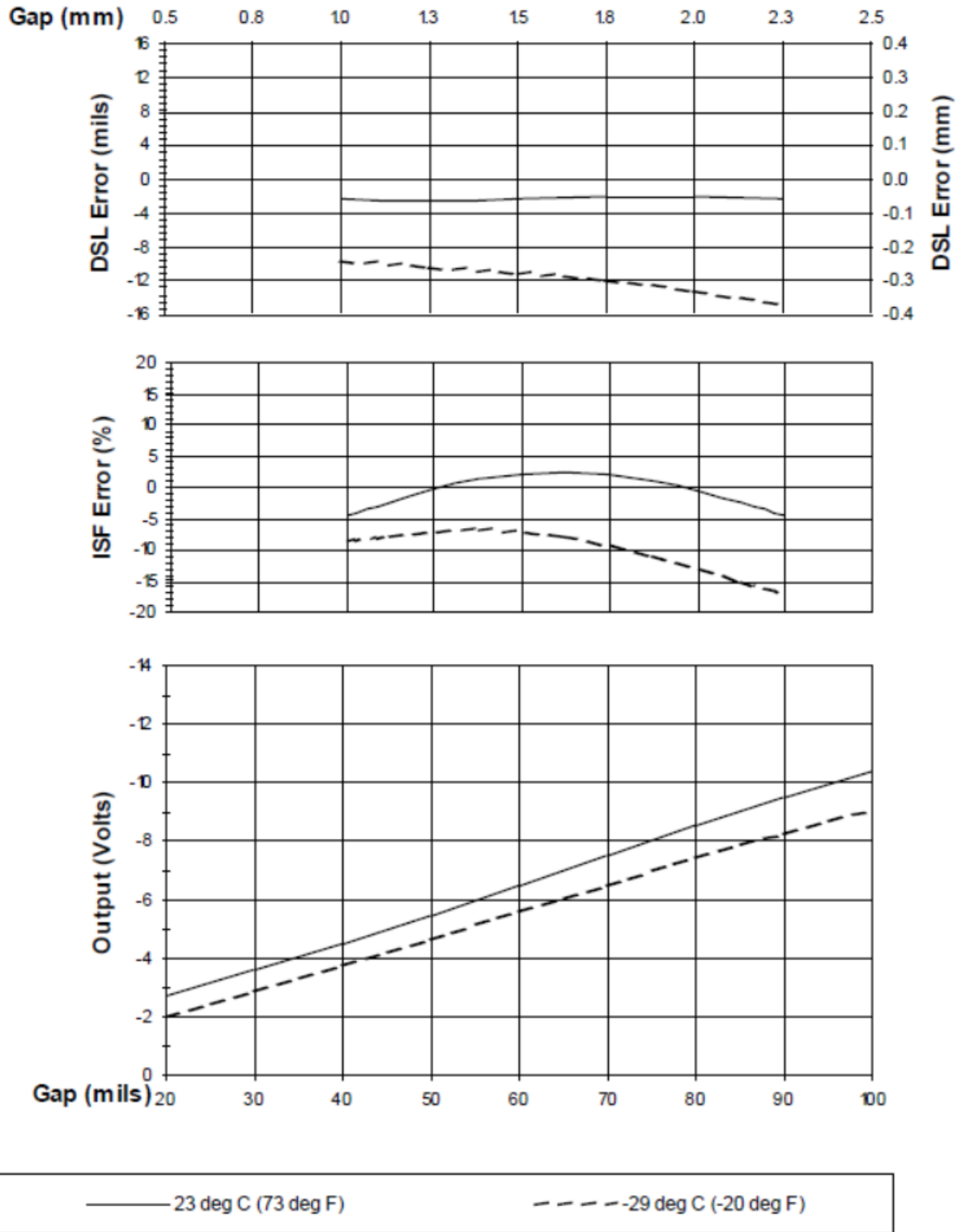


Figure 8: Typical Radiation Resistant 0.300" 40-ft Probe Only @ Tc

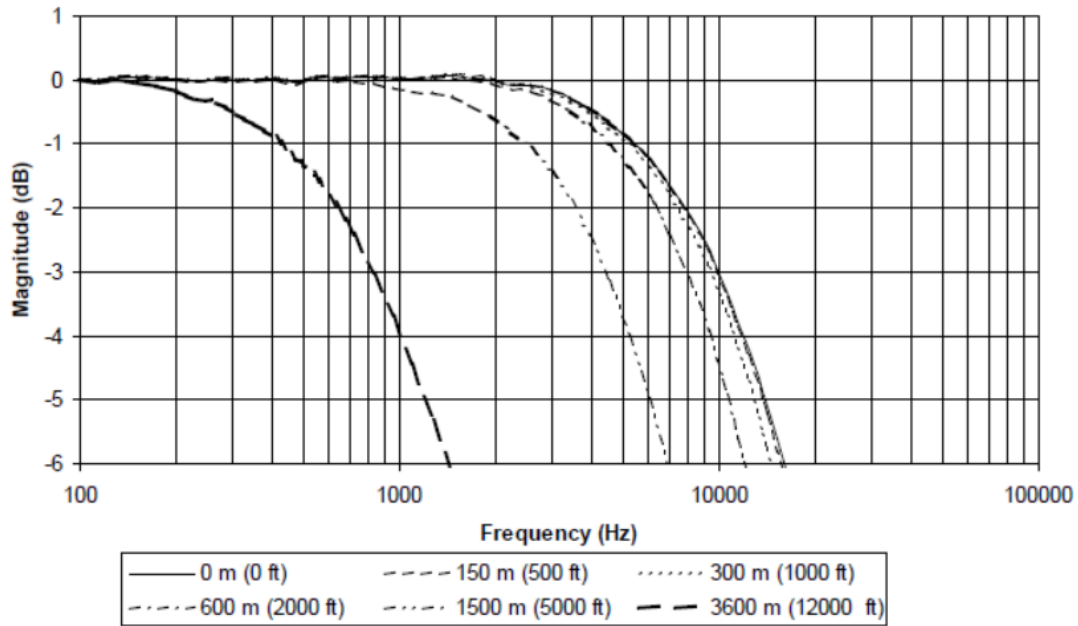


Figure 9: Frequency Response, typical Radiation Resistant 0.300" 40-ft System with varying lengths of field wiring attached, no barriers

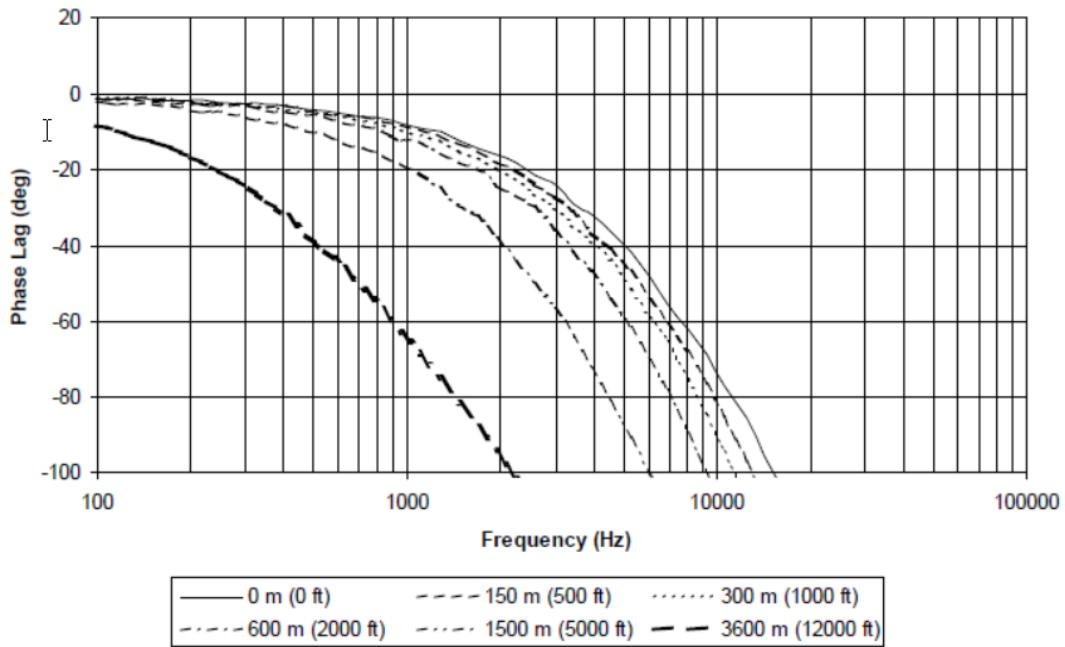


Figure 10: Phase Response, typical Radiation Resistant 0.300" 40-ft System with varying lengths of field wiring attached, no barriers

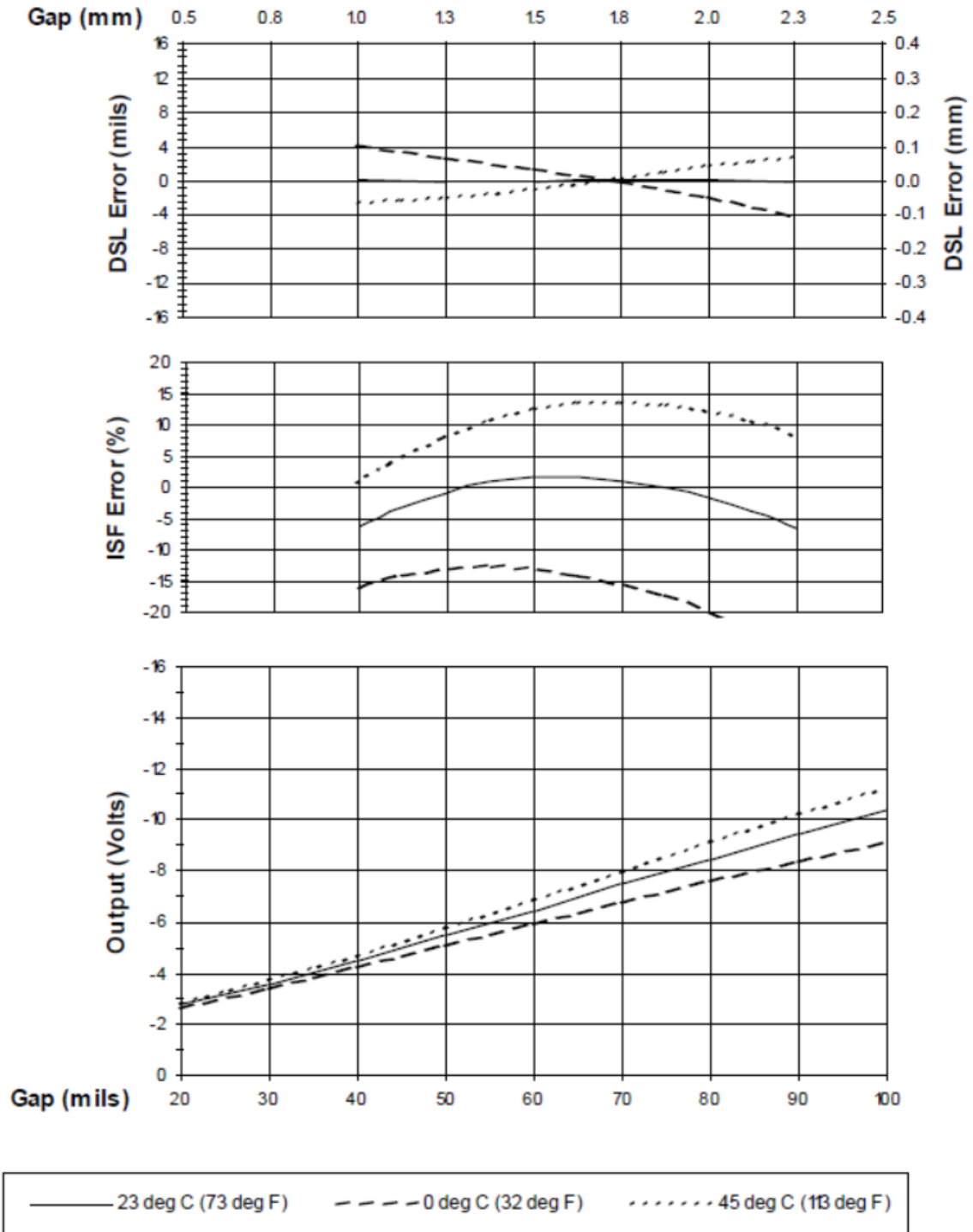


Figure 11: Typical Radiation Resistant 0.300" 110-ft System over ambient Temperature Range

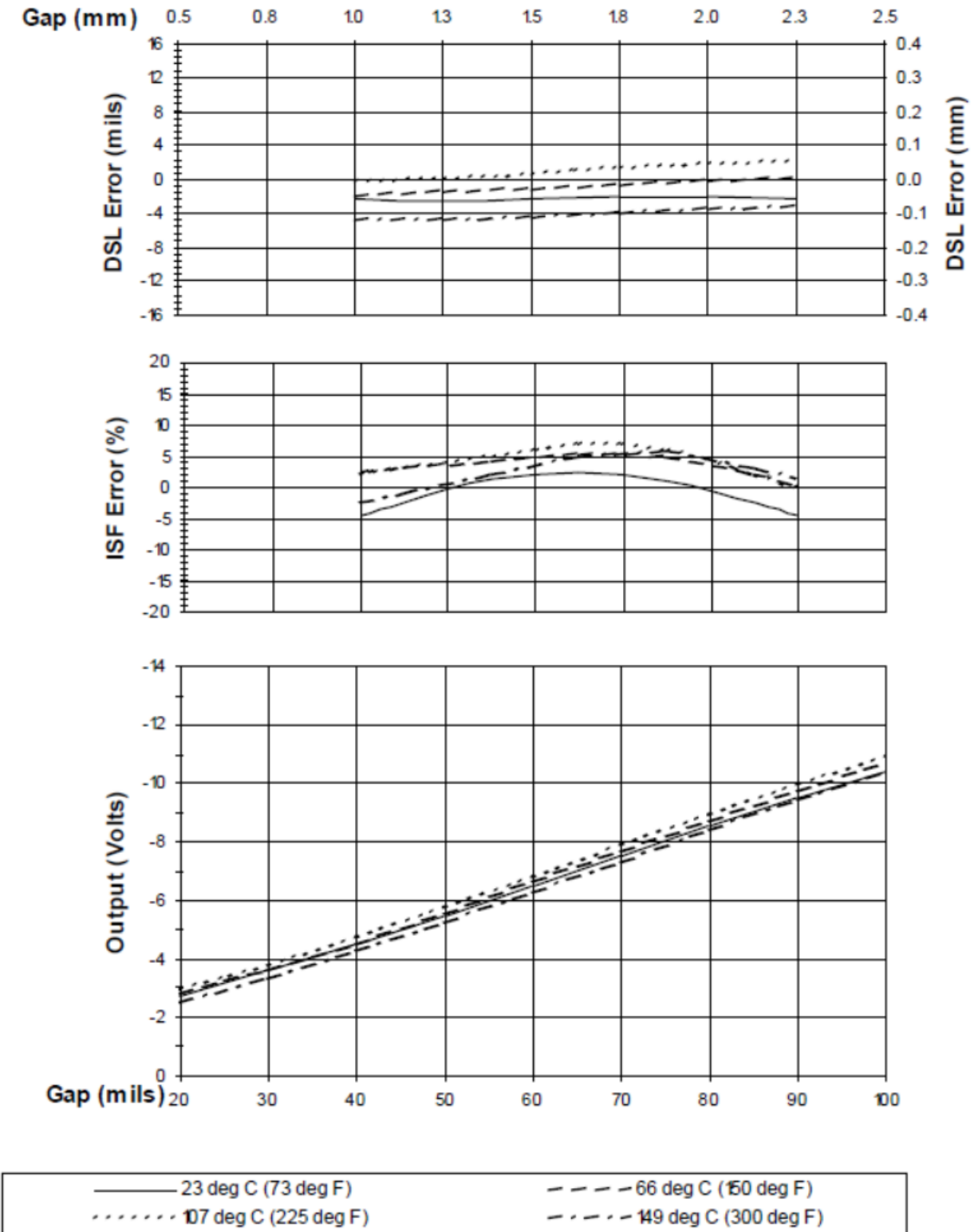


Figure 12: Typical Radiation Resistant 0.300" 110-ft Probe Only @ Th

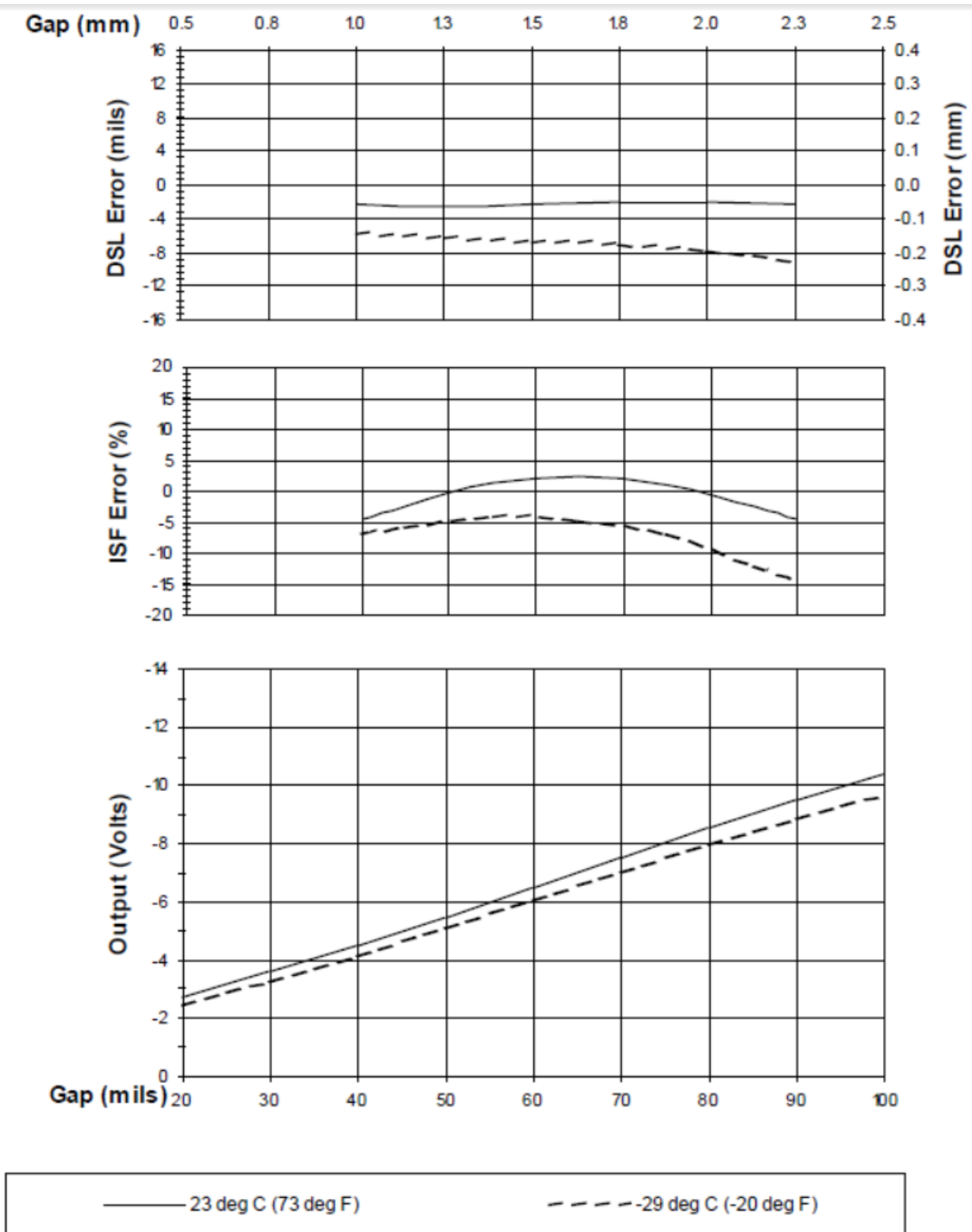


Figure 13: Typical Radiation Resistant 0.300" 110-ft Probe Only @ Tc

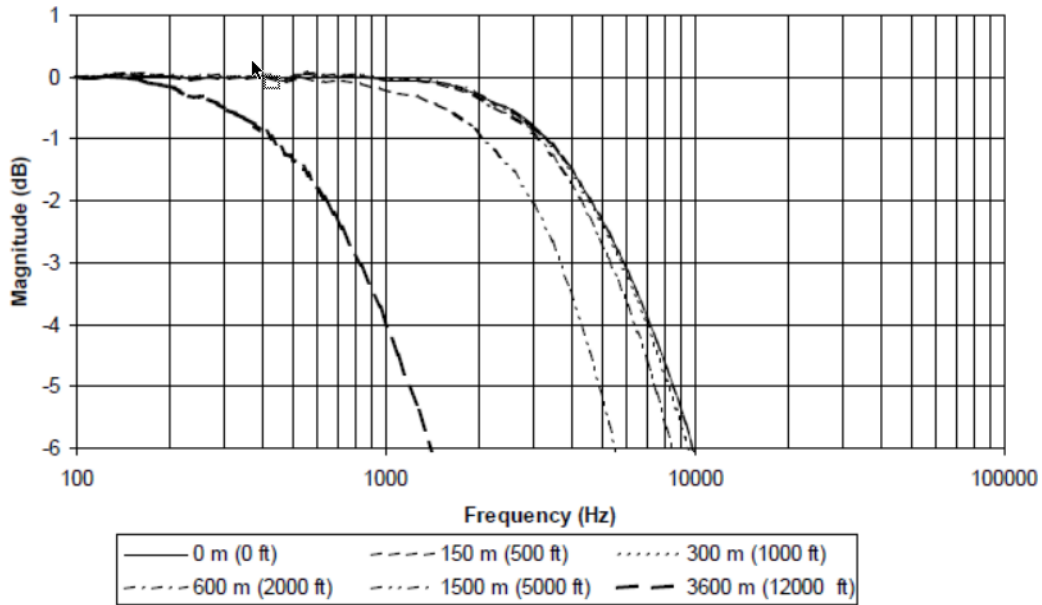


Figure 14: Frequency Response, typical Radiation Resistant 0.300" 110-ft System with varying lengths of field wiring attached, no barriers

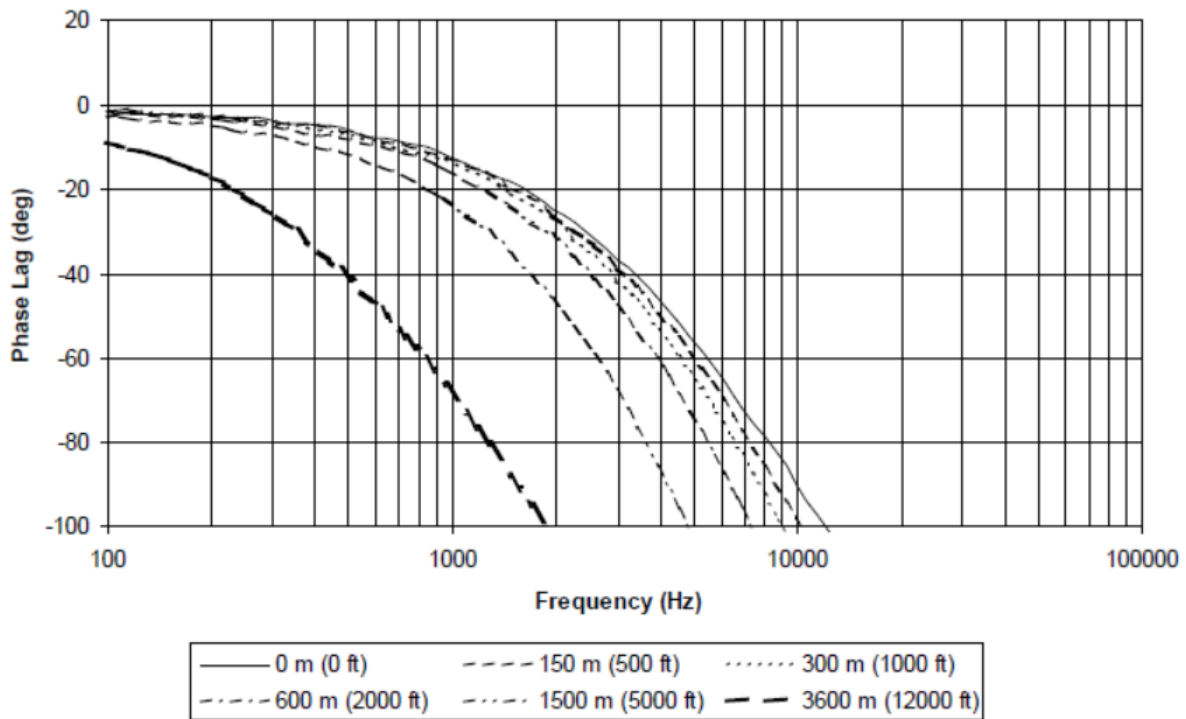


Figure 15: Phase Response, typical Radiation Resistant 0.300" 110-ft System with varying lengths of field wiring attached, no barriers

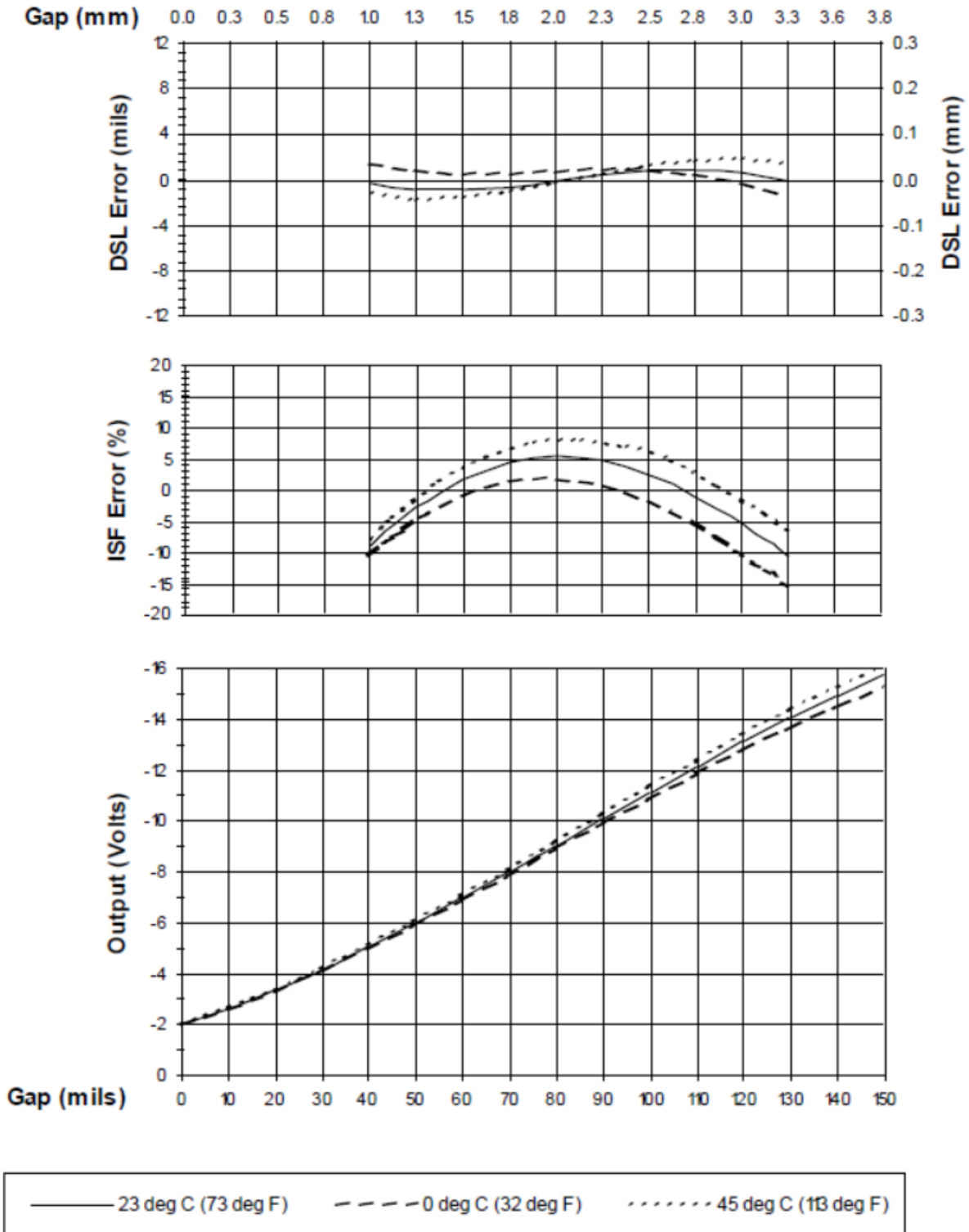


Figure 16: Typical Radiation Resistant 0.420" 15-ft System over ambient Temperature Range

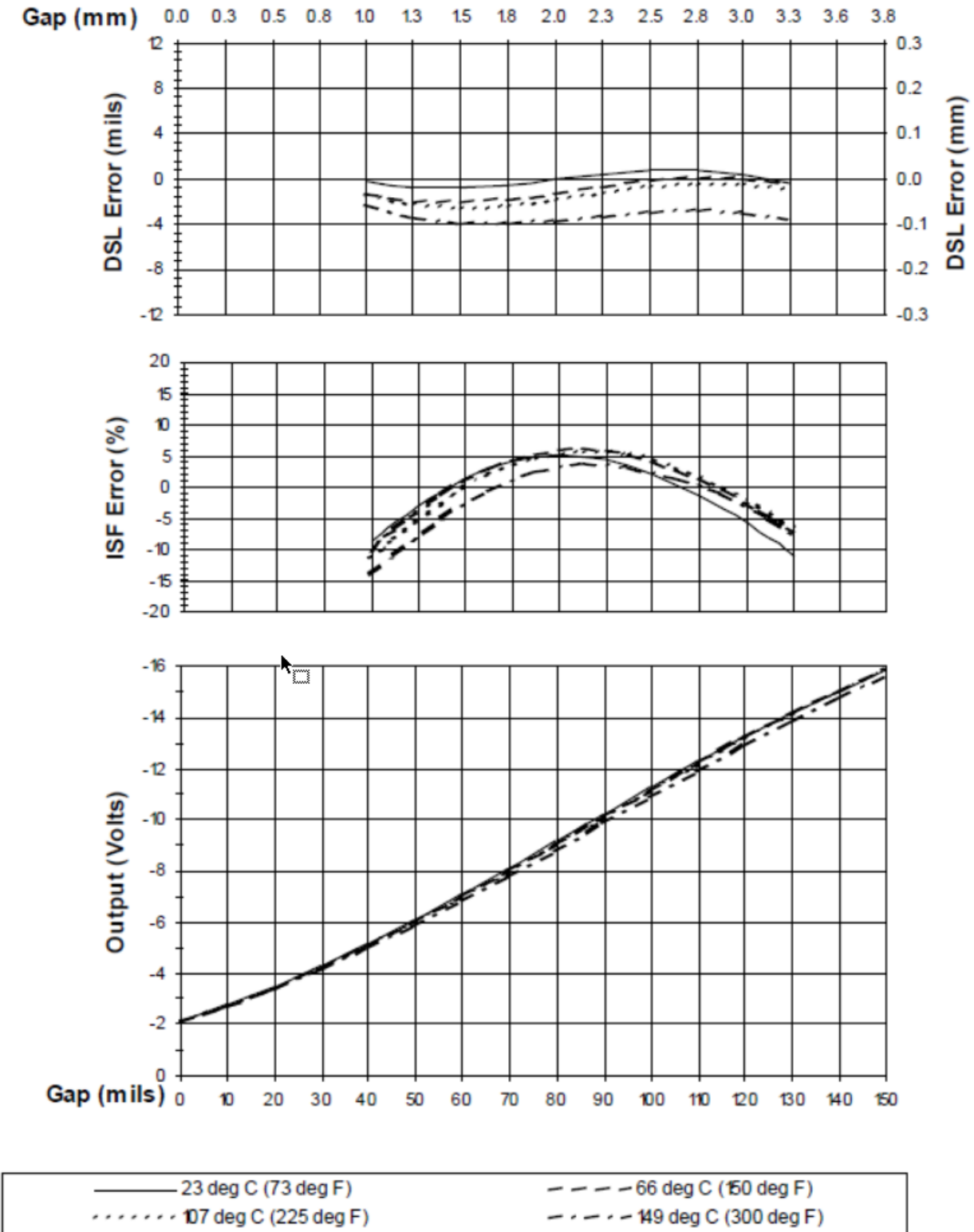


Figure 17: Typical Radiation Resistant 0.420" 15-ft Probe Only @ Th

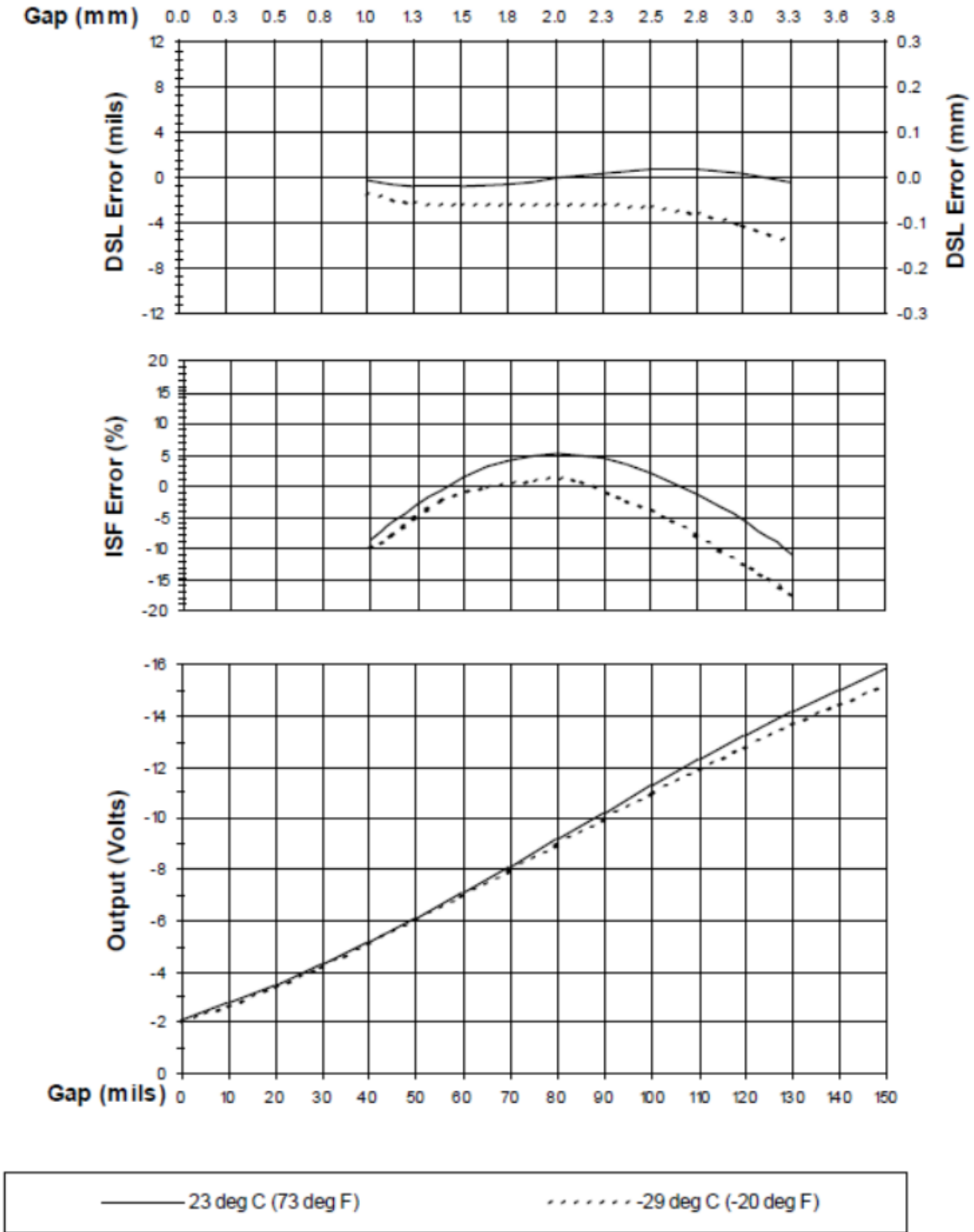


Figure 18: Typical Radiation Resistant 0.420" 15-ft Probe Only @ Tc

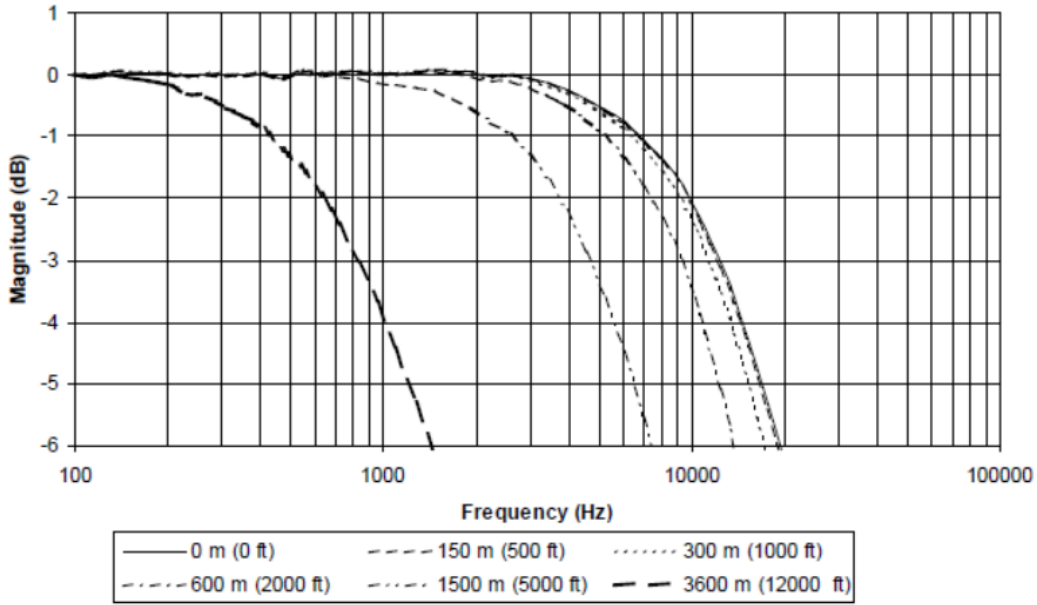


Figure 19: Frequency Response, typical Radiation Resistant 0.420" 15-ft System with varying lengths of field wiring attached, no barriers

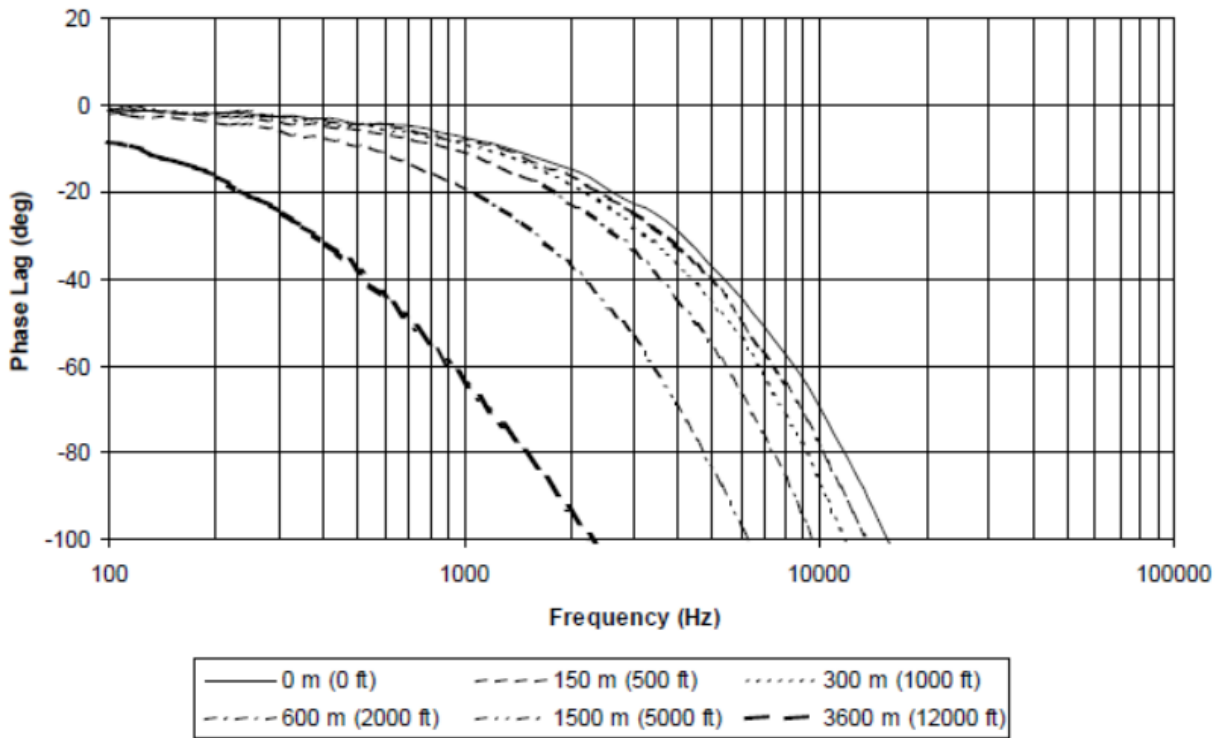
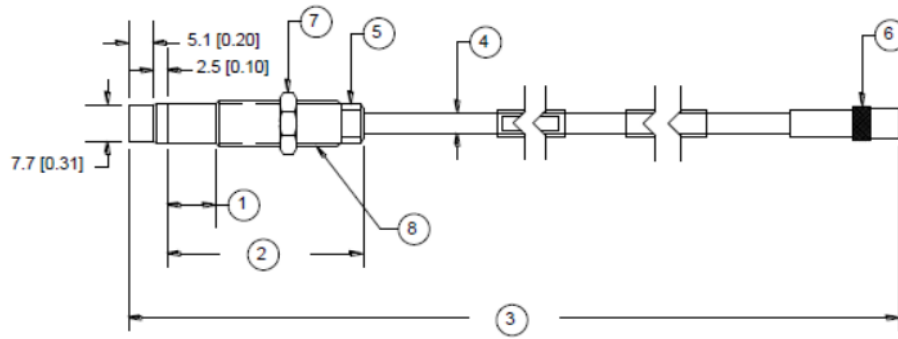
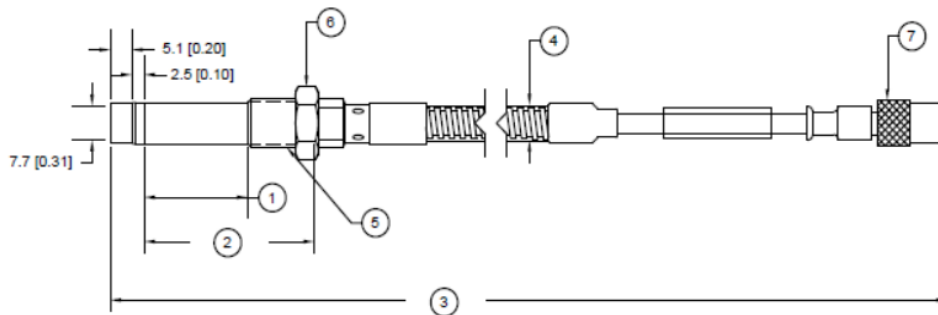


Figure 20: Phase Response, typical Radiation Resistant 0.420" 15-ft System with varying lengths of field wiring attached, no barriers



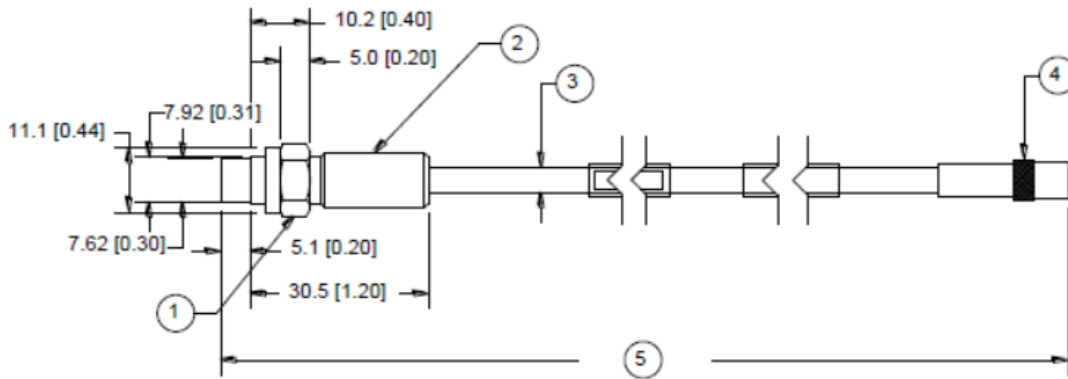
1. Unthreaded Length "AA"
2. Case Length "BB"
3. Total Length "CC", $\pm 7\%$
4. Coaxial Tefzel cable, 4.3 (0.17) Outside Diameter Maximum
5. 8 (5/16) Wrench Flats, 4 each
6. Miniature Male Coaxial Connector, 7.23 (0.285) Outside Diameter Maximum
7. 14.3 (9/16) Hex for 3/8-24 thread type, 17.0 (0.67) Hex for M10 thread type
8. Case, 300 Series SST, 3/8-24 UNF-2A or M10 thread

**Figure 21: Radiation-resistant Proximity Probe, Standard Mount
 36448, 3/8-24 UNF-2A threads 36447, M10x1 threads**



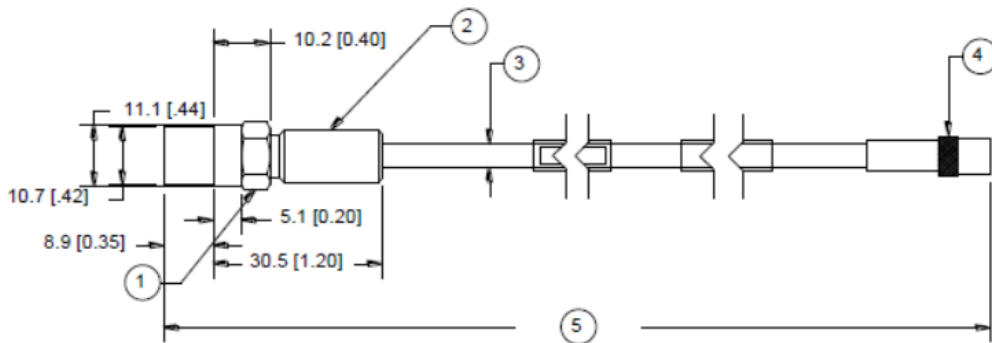
1. Unthreaded Length "AA"
2. Case Length "BB"
3. Total Length "CC", $\pm 7\%$
4. Tefzel Coated Armor, 9.6 (0.377) Diameter
5. Case, 300 Series SST, 3/8-24 UNF-2A or M10 thread
6. 14.3 (9/16) Hex for 3/8-24 thread type, 17.0 (0.67) Hex for M10 thread type
7. Miniature Male Coaxial Connector, 7.23 (0.285) Outside Diameter Maximum

**Figure 22: 0.300" Radiation-resistant Proximity Probe, Standard Mount Armored
 27482, 3/8-24 UNF-2A threads 36446, M10x1 threads**



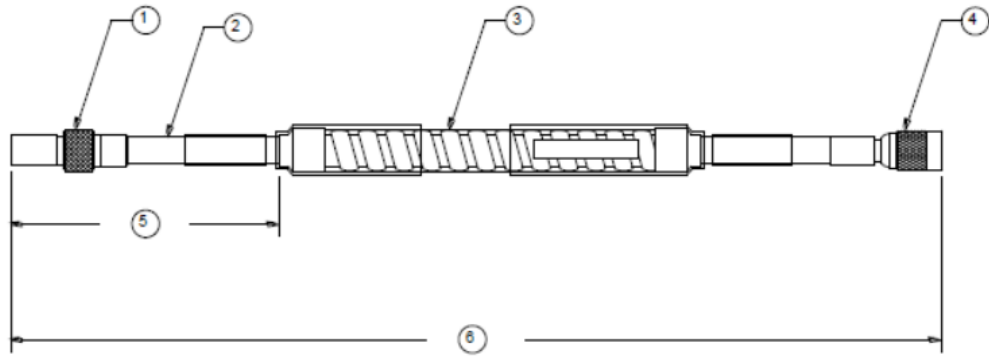
1. 11.1 (7/16) Hex
2. Case, 300 Series SST, 3/8-24 UNF-2A
3. Coaxial Tefzel Cable, 4.3 (0.17) Outside Diameter Maximum
4. Miniature Male Coaxial Connector, 7.23 (0.285) Outside Diameter Maximum
5. Total Length "C", ±7%

**Figure 23: 27485, 0.300" Radiation-resistant Proximity Probe, Reverse Mount
 3/8-24 UNF-2A threads**



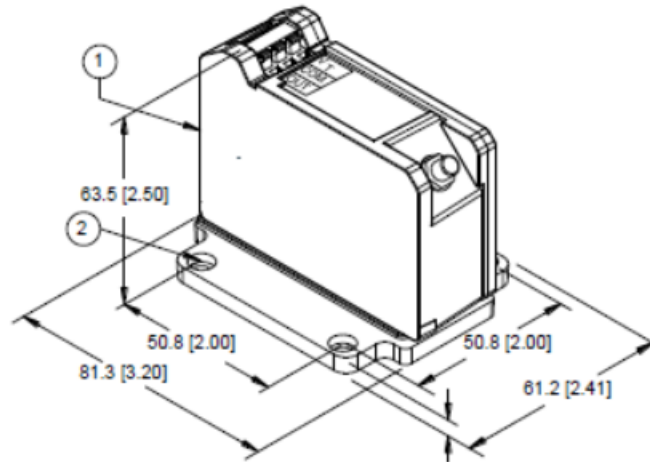
1. 7/16 Hex
2. Case, 300 Series SST, 3/8-24 UNF-2A
3. Coaxial Tefzel Cable, 4.3 (0.17) Outside Diameter Maximum
4. Miniature Male Coaxial Connector, 7.23 (0.285) Outside Diameter Maximum
5. Total length "C", +25%, -10%

**Figure 24: 19056, 0.420" Radiation-resistant Proximity Probe, Reverse Mount
 3/8-24 UNF-2A threads**



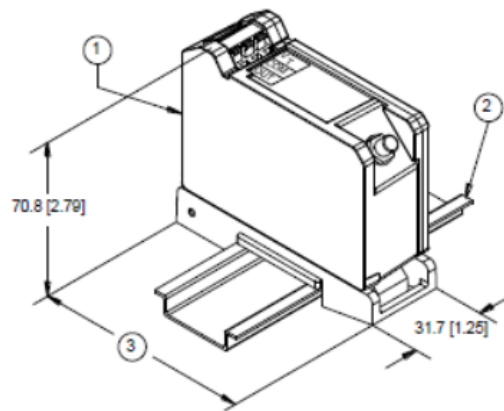
1. Miniature Male Coaxial Connector, 7.2 (0.285) Max. Diameter
2. Coaxial Tefzel Cable, 4.3 (0.17) Outside Diameter Maximum
3. Tefzel Coated Armor, 9.6 (0.377) Diameter
4. Miniature Female Coaxial Connector 7.2 (0.285) Max. Diameter
5. 305 ± 152 (12.0 \pm 6), 2 places
6. 27490 .300 cable, Total Length "A", $\pm 7\%$
7. 127502, .420 cable, Total Length = 12 feet (3.66 metres) $+20\%/-10\%$

Figure 25: Radiation-resistant Extension Cable
27490, 0.300 extension cable; 127502, 0.420 extension cable



1. Mounting Option "B" = "00"
2. 4.0 (0.158) diameter mounting thru holes, qty

Figure 26: 330280 and 330281, Panel Mount Radiation-resistant XL Proximity Sensor



1. Mounting Option "B" = "01"
2. 89.4 (3.52) Additional 3.0 (0.12) clearance required to remove DIN rail
3. 35 mm DIN rail not included

Figure 27: 330280 and 330281, DIN Rail Mount Radiation-resistant XL Proximitors Sensor

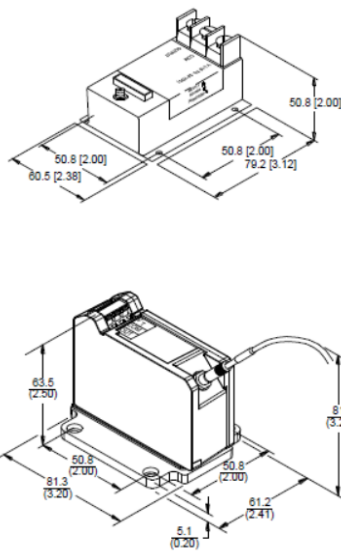


Figure 28: Physical mounting characteristics showing interchangeability of the 3000 and XL Radiation Resistant Proximity Sensors when 4-hole mounting

Notes:

1. All dimensions on figures are in millimeters (inches) unless otherwise noted.
2. Standard mount 0.300 probes supplied with 17 mm or 9/16-inch lock nut.
3. Reverse mount probes are not available with armor.
4. Letters inside quotation marks on figures refer to probe ordering options.
5. Stainless steel armor is supplied with Tefzel outer jacket.
6. Coaxial cable contains Tefzel dielectric and outer jacket.

Copyright 2020 Baker Hughes Company. All rights reserved.



Bently Nevada, Orbit Logo and Proximity are registered trademarks of Bently Nevada, a Baker Hughes Business, in the United States and other countries. The Baker Hughes logo is a trademark of Baker Hughes Company. All other product and company names are trademarks of their respective holders. Use of the trademarks does not imply any affiliation with or endorsement by the respective holders.

Baker Hughes provides this information on an "as is" basis for general information purposes. Baker Hughes does not make any representation as to the accuracy or completeness of the information and makes no warranties of any kind, specific, implied or oral, to the fullest extent permissible by law, including those of merchantability and fitness for a particular purpose or use. Baker Hughes hereby disclaims any and all liability for any direct, indirect, consequential or special damages, claims for lost profits, or third party claims arising from the use of the information, whether a claim is asserted in contract, tort, or otherwise. Baker Hughes reserves the right to make changes in specifications and features shown herein, or discontinue the product described at any time without notice or obligation. Contact your Baker Hughes representative for the most current information.

The information contained in this document is the property of Baker Hughes and its affiliates; and is subject to change without prior notice. It is being supplied as a service to our customers and may not be altered or its content repackaged without the express written consent of Baker Hughes. This product or associated products may be covered by one or more patents. See [Bently.com/legal](https://www.bently.com/legal).

1631 Bently Parkway South, Minden, Nevada USA 89423
Phone: 1.775.782.3611 or 1.800.227.5514 (US only)
[Bently.com](https://www.bently.com)