

# Consolidated™ 2700 Series Safety Valve

Instruction Manual (Rev. E)





**THESE INSTRUCTIONS PROVIDE THE CUSTOMER/OPERATOR WITH IMPORTANT PROJECT-SPECIFIC REFERENCE INFORMATION IN ADDITION TO THE CUSTOMER/OPERATOR'S NORMAL OPERATION AND MAINTENANCE PROCEDURES. SINCE OPERATION AND MAINTENANCE PHILOSOPHIES VARY, BAKER HUGHES (AND ITS SUBSIDIARIES AND AFFILIATES) DOES NOT ATTEMPT TO DICTATE SPECIFIC PROCEDURES, BUT TO PROVIDE BASIC LIMITATIONS AND REQUIREMENTS CREATED BY THE TYPE OF EQUIPMENT PROVIDED.**

**THESE INSTRUCTIONS ASSUME THAT OPERATORS ALREADY HAVE A GENERAL UNDERSTANDING OF THE REQUIREMENTS FOR SAFE OPERATION OF MECHANICAL AND ELECTRICAL EQUIPMENT IN POTENTIALLY HAZARDOUS ENVIRONMENTS. THEREFORE, THESE INSTRUCTIONS SHOULD BE INTERPRETED AND APPLIED IN CONJUNCTION WITH THE SAFETY RULES AND REGULATIONS APPLICABLE AT THE SITE AND THE PARTICULAR REQUIREMENTS FOR OPERATION OF OTHER EQUIPMENT AT THE SITE.**

**THESE INSTRUCTIONS DO NOT PURPORT TO COVER ALL DETAILS OR VARIATIONS IN EQUIPMENT NOR TO PROVIDE FOR EVERY POSSIBLE CONTINGENCY TO BE MET IN CONNECTION WITH INSTALLATION, OPERATION OR MAINTENANCE. SHOULD FURTHER INFORMATION BE DESIRED OR SHOULD PARTICULAR PROBLEMS ARISE WHICH ARE NOT COVERED SUFFICIENTLY FOR THE CUSTOMER/OPERATOR'S PURPOSES THE MATTER SHOULD BE REFERRED TO BAKER HUGHES.**

**THE RIGHTS, OBLIGATIONS AND LIABILITIES OF BAKER HUGHES AND THE CUSTOMER/OPERATOR ARE STRICTLY LIMITED TO THOSE EXPRESSLY PROVIDED IN THE CONTRACT RELATING TO THE SUPPLY OF THE EQUIPMENT. NO ADDITIONAL REPRESENTATIONS OR WARRANTIES BY BAKER HUGHES REGARDING THE EQUIPMENT OR ITS USE ARE GIVEN OR IMPLIED BY THE ISSUE OF THESE INSTRUCTIONS.**

**THESE INSTRUCTIONS ARE FURNISHED TO THE CUSTOMER/OPERATOR SOLELY TO ASSIST IN THE INSTALLATION, TESTING, OPERATION, AND/OR MAINTENANCE OF THE EQUIPMENT DESCRIBED. THIS DOCUMENT SHALL NOT BE REPRODUCED IN WHOLE OR IN PART WITHOUT THE WRITTEN APPROVAL OF BAKER HUGHES.**

# Conversion Table

**All the United States Customary System (USCS) values are converted to metric values using the following conversion factors:**

USCS Unit	Conversion Factor	Metric Unit
in.	25.4	mm
lb.	0.4535924	kg
in <sup>2</sup>	6.4516	cm <sup>2</sup>
ft <sup>3</sup> /min	0.02831685	m <sup>3</sup> /min
gal/min	3.785412	L/min
lb/hr	0.4535924	kg/hr
psig	0.06894757	barg
ft lb	1.3558181	Nm
°F	5/9 (°F-32)	°C

**Note: Multiply USCS value with conversion factor to get metric value.**

# Table of Contents

I.	Warranty Information .....	1
II.	Safety Notice .....	2
III.	Product Safety Sign and Label System .....	3
IV.	Safety Alerts .....	4
V.	Handling and Storage.....	6
VI.	Pre-installation and Mounting.....	6
VII.	General Planning for Maintenance .....	7
VIII.	Terminology for Pressure Relief Valves.....	8
<b>IX.</b>	<b>Consolidated 2700 Series Safety Valve.....</b>	<b>9</b>
	A. Flanged Inlet .....	9
	B. Butt-weld Inlet .....	9
X.	Operating Principles .....	11
<b>XI.</b>	<b>Recommended Installation Practices.....</b>	<b>12</b>
	A. General Requirements .....	12
	B. Outdoor Safety Valve Installation .....	16
	C. Indoor Safety Valve Installation.....	16
<b>XII.</b>	<b>Disassembly Instructions .....</b>	<b>17</b>
	A. General Information .....	17
	B. Specific Steps .....	17
<b>XIII.</b>	<b>Inspection and Part Replacement.....</b>	<b>19</b>
	A. General .....	19
	B. Specific Components .....	19
<b>XIV.</b>	<b>Re-Assembly Instructions .....</b>	<b>24</b>
	A. General Information .....	24
	B. Specific Steps .....	24
<b>XV.</b>	<b>Setting and Testing .....</b>	<b>27</b>
	A. General Information .....	27
	B. Application of Test Gags .....	27
	C. Presetting Adjusting Rings .....	28
	D. Steam Testing Instruction.....	29
	E. Consolidated Hydroset Test Device/Electronic Valve Tester (EVT) Software .....	32
	F. Hydrostatic Test Plug Removal .....	32
	F.1 General Information .....	32
	F.2 Hydrostatic Test Plugs.....	34
XVI.	Troubleshooting the Consolidated 2700 Series Safety Valve .....	36
XVII.	Maintenance Tools and Supplies .....	37
<b>XVIII.</b>	<b>Replacement Parts Planning.....</b>	<b>38</b>
	A. Basic Guidelines .....	38
	B. Identification and Ordering Essentials .....	38
XIX.	Consolidated Genuine Parts .....	38

<b>XX.</b>	<b>Manufacturer’s Service Repair and Training Program .....</b>	<b>40</b>
	A. Field Service .....	40
	B. Repair Facilities .....	40
	C. Safety Valve Maintenance Training.....	40

# I. Warranty Information

## ⚠ CAUTION



Defective and nonconforming items must be inspected by Baker Hughes

## ⚠ CAUTION



Removal or breakage of seal will negate our warranty.

### Warranty Statement

**Warranty Statement<sup>1</sup>** - Baker Hughes warrants that its products and services will meet all applicable specifications and other specific product and service requirements (including those of performance), if any, and will be free from defects in material and workmanship.

**CAUTION:** Defective and nonconforming items must be held for Baker Hughes's inspection and returned to the original F.O.B point upon request.

**Incorrect Selection or Misapplication of Products** - Baker Hughes cannot be responsible for customer's incorrect selection or misapplication of our products.

**Unauthorized Repair Work** - Baker Hughes has not authorized any non-Baker Hughes affiliated repair companies, contractors or individuals to perform warranty repair service on new products or field repaired products of its manufacture. Therefore customers contracting such repair services from unauthorized sources must do at their own risk.

**Unauthorized Removal of Seals** - All new valves and valves repaired in the field by Baker Hughes Field Service are sealed to assure the customer of our guarantee against defective workmanship. Unauthorized removal and/or breakage of this seal will negate our warranty.

**Note:** Refer to Baker Hughes's Standard Terms of Sale for complete details on warranty and limitation of remedy and liability.

## II. Safety Notice

Proper installation and start-up is essential to the safe and reliable operation of all valve products. The relevant procedures recommended by Baker Hughes, and described in these instructions, are effective methods of performing the required tasks.

It is important to note that these instructions contain various “safety messages” which should be carefully read in order to minimize the risk of personal injury, and/or the possibility that improper procedures will be followed which may damage the involved Consolidated product, or render it unsafe. It is also important to understand that these “safety messages” are not exhaustive. Baker Hughes can not possibly know, evaluate, and advise any customer of all of the conceivable ways in which tasks might be performed, or of the possible hazardous consequences of each way. Consequently, Baker Hughes has not undertaken any such broad evaluation and, thus, anyone who uses a procedure and/or tool, which is not recommended by Baker Hughes, or deviates from Baker Hughes recommendations, must be thoroughly satisfied that neither personal safety, nor valve safety, will be jeopardized by the procedure and/or tools selected. If not so satisfied, contact your local *Green Tag*™ Center if there are any questions relative to procedures and/or tools.

The installation and start-up of valves and valve products may involve proximity to fluids at extremely high pressure and/or temperature. Consequently, every precaution should be taken to prevent injury to personnel during the performance of any procedure. These precautions should consist of, but are not limited to, ear drum protection, eye protection, and the use of protective clothing, (i.e., gloves, etc.) when personnel are in, or around, a valve work area.

It is the responsibility of the purchaser or user of Baker Hughes’s Consolidated products to adequately train all personnel who will be working with the involved product. For more information on training schedules, please, contact your local Green Tag Center. Further, prior to working with the involved product, personnel who are to perform such work should become thoroughly familiar with the contents of these instructions.





### III. Product Safety Sign and Label System

If and when required, appropriate safety labels have been included in the rectangular margin blocks throughout this manual. Safety labels are vertically oriented rectangles as shown in the *representative examples* (below), consisting of three panels encircled by a narrow border. The panels can contain four messages which communicate:

- The level of potential harm from the hazard
- The nature of the hazard
- The consequence of human and/or product interaction with the hazard.
- The instructions, if necessary, on how to avoid the hazard.

The top panel of the format contains a signal word (**DANGER**, **WARNING**, **CAUTION** or **ATTENTION**) which communicates the level of potential harm from the hazard.

The center panel contains a pictorial which communicates the nature of the hazard, and the possible consequence of human and/or product interaction with the hazard. In some instances of risk to human health and safety the pictorial may, instead, depict what preventive measures to take, such as wearing wearing the appropriate personal protective equipment (PPE).

The bottom panel may contain instructions on how to avoid the hazard. If there is a risk to human health and safety this message may also contain a more precise definition of the hazard, and the consequences of human and/or product interaction with the hazard, than can be communicated solely by the pictorial.

① **DANGER** — Immediate hazards which **WILL LIKELY** result in severe personal injury or death.

② **WARNING** — Hazards or unsafe practices which **COULD** result in severe personal injury or death.

③ **CAUTION** — Hazards or unsafe practices which **COULD** result in minor personal injury.

④ **ATTENTION** — Hazards or unsafe practices which **COULD** result in product or property damage.

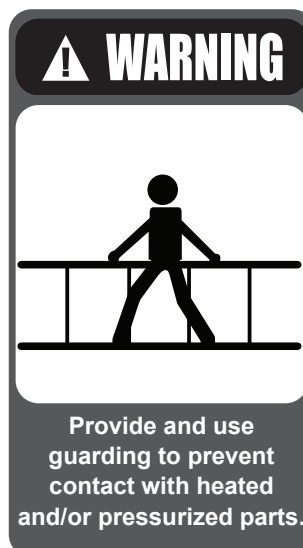


# IV. Safety Alerts

## Read – Understand – Practice

1. **DANGER:** High temperature/pressure can cause injury. Be sure all system pressure is absent before repairing or removing valves.
2. **DANGER:** Don't stand in front of valve outlet when discharging. **STAND CLEAR OF VALVE** to prevent exposure to potentiality trapped, corrosive media.
3. **DANGER:** When inspecting a pressure relief valve for leakage. **BE VERY CAREFUL!**

1. **WARNING:** Allow the system to cool to room temperature before cleaning, servicing or repairing the system. Hot components or fluids can cause severe personal injury or death.
2. **WARNING:** Always read and comply with safety labels on all containers. Do not remove or deface the container. Do not remove or deface the container labels. Improper handling or misuse could result in severe personal injury or death.
3. **WARNING:** Never use pressurized fluids/gas/air to clean clothing or body parts. Never use body parts to check for leakage and/or discharge rates of valve areas. Pressurized fluids/gas/air injected into or near the body can cause severe personal injury or death.
4. **WARNING:** It is the responsibility of the owner to specify and provide guarding to protect persons from pressurized or heated parts. Contact with pressurized or heated parts can result in severe personal injury or death.
5. **WARNING:** Do not allow anyone under the influence of intoxicants or narcotics to work on or around pressurized systems. Workers under the influence of intoxicants or narcotics are a hazard both to themselves and other employees and can cause severe personal injury or death to themselves and/or others.
6. **WARNING:** Incorrect service/repair could result in product/property damage and/or severe personal injury or death.



## IV. Safety Alerts (Cont.)

**⚠ WARNING**



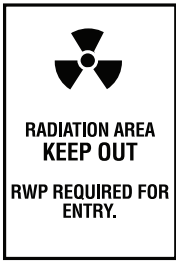
All potential hazards may not be covered in this manual.

**⚠ WARNING**



Improper tools or improper use of right tools could result in personal injury or product damage.

**⚠ WARNING**



Know nuclear "health physics" procedures, if applicable, to avoid possible severe personal injury or death.

**⚠ CAUTION**



Heed all service manual warnings. Read installation instructions before installing valve(s).

**⚠ CAUTION**



Wear necessary protective equipment to prevent possible injury

**⚠ CAUTION**



Always use appropriate restoration procedures.

7. **WARNING:** The misuse of a tool or the use of an improper tool could result in personal injury and/or product/property damage.

1. **CAUTION:** Heed all service manual warnings. Read installation instructions before installing valve(s).
2. **CAUTION:** Wear the appropriate hearing protection when testing or operating valves.
3. **CAUTION:** Wear the appropriate eye and clothing protection.
4. **CAUTION:** Wear the appropriate self-contained breathing apparatus (SCBA) to protect against toxic media.

## V. Handling and Storage

Pressure relief valves should be stored in a dry environment and protected from the weather. They should not be removed from the skids or crates until immediately prior to installation. Flange protectors and sealing plugs should remain installed until just prior to installation.

Pressure relief valves, either crated or uncrated, should never be subjected to sharp impact. This would be most likely to occur by bumping or dropping during loading or unloading from a truck or while moving with a power conveyor, such as a fork lift truck. The valve, either crated or uncrated, should always be kept with the inlet down (i.e., never laid on its side), to prevent misalignment and damage to internal components. Even crated valves should always be lifted with the inlet down.

Uncrated valves should be moved or hoisted by wrapping a chain or sling around the discharge neck, then around the upper yoke structure, in such manner as will ensure the valve is in a vertical position during lift. Never lift the full weight of the valve by the pilot assembly, tubing, lifting lever or other external device.

## VI. Pre-installation and Mounting

When a valve is uncrated and the flange protectors removed, prior to installation, meticulous care should be exercised to prevent dirt from entering the outlet port.

While hoisting a valve to the installation area, care should be exercised to prevent bumping the valve against steel structures and other objects

Pressure relief valves should be mounted in a vertical, upright position. Installing a valve in any other position will adversely affect its operating in varying degrees as a result of induced misalignment of parts.

Flanges and gasket surfaces must be free from dirt and debris when valves are installed. Flange bolts should be tightened evenly to prevent distortion of the valve body and inlet nozzle. Before start-up be sure all threaded points are tight and secure.



## VII. General Planning for Maintenance

A 12-month maintenance interval is recommended for general service conditions. For severe service applications, a 3 to 6 month inspection and testing interim may be more appropriate. The specific plant's operating and service history will better determine this frequency. Baker Hughes encourages preventive maintenance.

Occasionally, remachining may be necessary to extend the service life of a valve. Keep all parts for each valve separated to ensure replacement in the same valve.

**DANGER:** Insure there is no pressure in the inlet of the valve before attempting to remove it from the piping system.

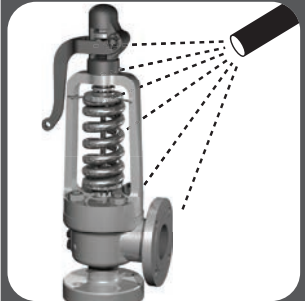
**Note:** For maintenance questions not covered in this manual, please contact your local Green Tag Center.

### ⚠ CAUTION



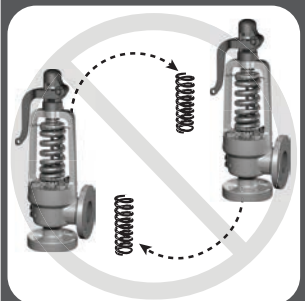
Always use appropriate restoration procedures.

### ⚠ DANGER



Decontaminate or clean if necessary before pretesting or disassembly. Safety and environmental precautions must be taken for the decontamination or cleaning method used.

### ⚠ CAUTION



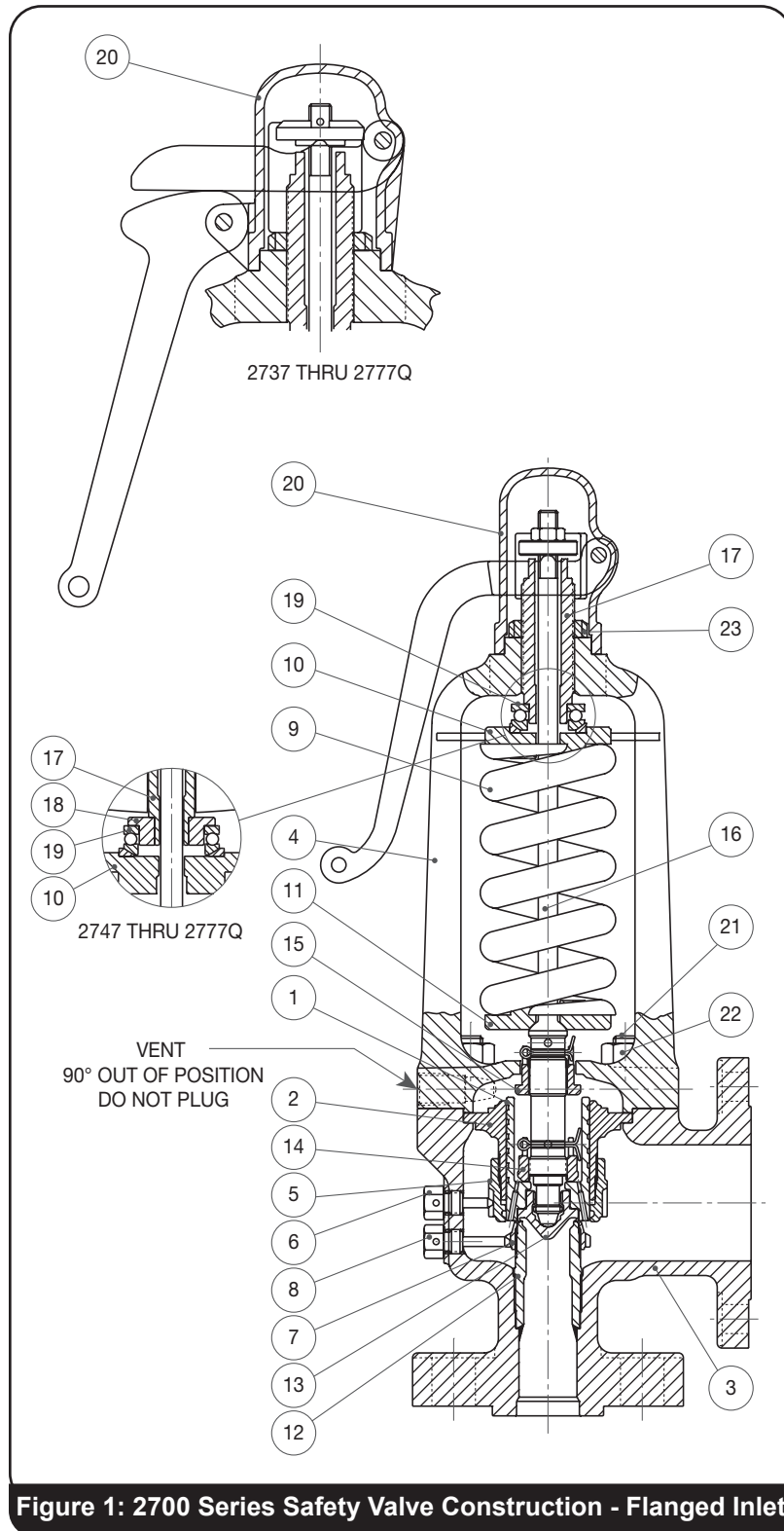
Do not interchange parts from one valve to another.

## VIII. Terminology for Pressure Relief Valves

- A. Accumulation:** The pressure increase over the maximum allowable working pressure of the vessel during discharge through the valve, expressed as a percentage of that pressure or in actual pressure units.
- B. Backpressure:** The static pressure existing on the discharge side of a pressure relief valve:
- 1. Built-up Backpressure:** Pressure that develops at the valve outlet as a result of flow, after the valve has opened.
  - 2. Superimposed Backpressure:** Pressure in the discharge header before the valve opens.
  - 3. Constant Backpressure:** Superimposed backpressure that is constant with time.
  - 4. Variable Backpressure:** Superimposed backpressure that will vary with time.
- C. Blowdown:** The difference between set pressure and reseal pressure of a valve, expressed as a percentage of the set pressure or in actual pressure units.
- D. Cold Differential Set Pressure:** The pressure at which the valve is adjusted to open on a test stand. This pressure corrects for backpressure when a pop action pilot's vent is piped to the main valve outlet.
- E. Differential Between Operating and Set Pressures:** Valves in process service will generally give best results if the operating pressure does not exceed 90% of the set pressure. However, on pump and compressor discharge lines, the differential required between the operating and set pressures may be greater because of pressure pulsations coming from a reciprocating piston. The valve should be set as far above the operating pressure as possible.
- F. Lift:** The actual travel of the disc away from the closed position when a valve is relieving.
- G. Maximum Allowable Working Pressure:** The maximum gauge pressure permissible in a vessel at a designated temperature. A vessel may not be operated above this pressure or its equivalent at any metal temperature other than that used in its design. Consequently, for that metal temperature, it is the highest pressure at which the primary pressure relief valve is set to open.
- H. Operating Pressure:** The gauge pressure to which the vessel is normally subjected in service. A suitable margin is provided between operating pressure and maximum allowable working pressure. The suitable margin depends on the type of pressure relief valve in service.
- I. Overpressure:** A pressure increase over the set pressure of the primary relieving device. Overpressure is similar to accumulation when the relieving device is set at the maximum allowable working pressure of the vessel. Normally, overpressure is expressed as a percentage of set pressure.
- J. Rated Capacity:** The percentage of measured flow at an authorized percent overpressure permitted by the applicable code. Rated capacity is generally expressed in pounds per hour (lb/hr) or kg/hr for vapors, standard cubic feet per minute (SCFM) or m<sup>3</sup> /min for gases, and in gallons per minute (GPM) or Liter/min (L/min) for liquids.
- K. Set Pressure:** The inlet static pressure at which a pressure relief valve begins to operate under service conditions. In liquid service, the inlet pressure at which a valve starts to discharge determines the set pressure. In gas or vapor service, the inlet pressure at which the valve pops or starts to leak, determines the set pressure.
- L. Simmer:** The audible passage of a gas or vapor across the seating surfaces just before a "pop". The difference between this start-to-open pressure and the set pressure is called "simmer". Simmer is generally expressed as a percentage of set pressure.

# IX. Consolidated 2700 Series Safety Valve

## A. Flanged Inlet



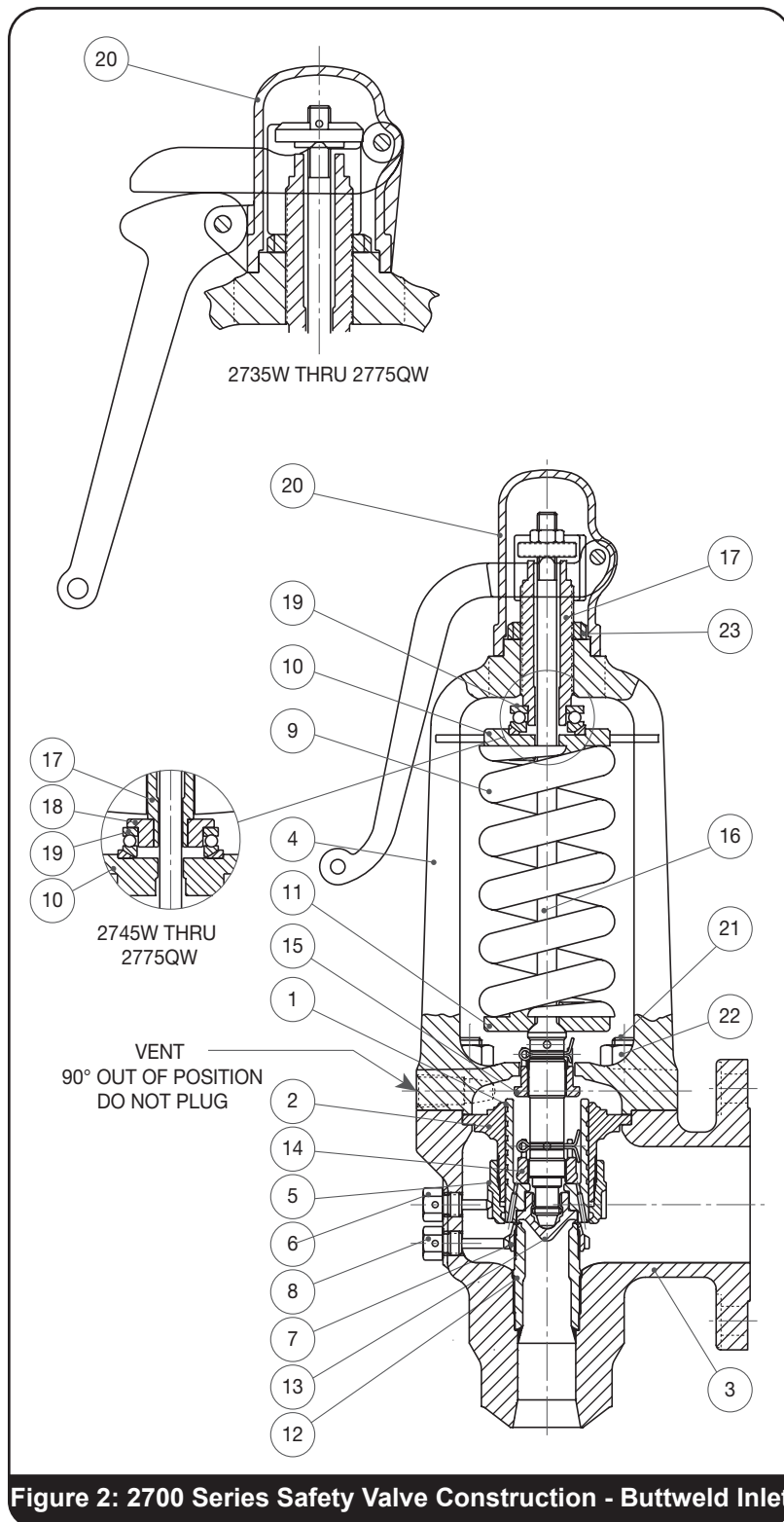
Part No.	Nomenclature
1	Disc Holder
2	Guide
3	Base
4	Yoke
5	Upper Adjusting Ring
6	Upper Adjusting Ring Pin
7	Lower Adjusting Ring
8	Lower Adjusting Ring Pin
9	Spring
10	Top Spring Washer
11	Bottom Spring Washer
12	Seat Bushing
13	Disc
14	Disc Collar
15	Lift Stop
16	Spindle
17	Compression Screw
18	Compression Screw Adaptor (4 to 7_Q orifices only)
19	Thrust Bearing
20	Lever and Cap Assembly
21	Studs (Studded Inlet)
22	Nuts
23	Compression Screw Locknut
24	Cotter Pins (not shown)

Figure 1: 2700 Series Safety Valve Construction - Flanged Inlet



# IX. Consolidated 2700 Series Safety Valve (Cont.)

## B. Buttweld Inlet



Part No.	Nomenclature
1	Disc Holder
2	Guide
3	Base
4	Yoke
5	Upper Adjusting Ring
6	Upper Adjusting Ring Pin
7	Lower Adjusting Ring
8	Lower Adjusting Ring Pin
9	Spring
10	Top Spring Washer
11	Bottom Spring Washer
12	Seat Bushing
13	Disc
14	Disc Collar
15	Lift Stop
16	Spindle
17	Compression Screw
18	Compression Screw Adaptor (4 to 7_Q orifices only)
19	Thrust Bearing
20	Lifting Gear
21	Studs (Studded Inlet)
22	Nuts
23	Compression Screw Locknut
24	Cotter Pins (not shown)



# X. Operating Principles

The Consolidated 2700 Series Safety Valve operates on the principle that when steam pressure at the valve inlet, acting over the area of the disc seat (C) and bushing seat (A), generates a force that approaches that produced by the spring, the valve opens. Minimal leakage into the volume generated by the lower adjusting ring (B) causes additional force over a larger area acting on the disc holder (E), causing the valve to “pop” open. Proper adjustment of the upper adjusting ring allows the disc to go into full lift at overpressure. When full lift is attained, lift stop (H) rests against the yoke to prevent hunting, thus adding stability.

When the inlet pressure drops to the desired closing pressure, the disc (C) moves downward, causing the valve to close. The arrangement of the parts, that is disc holder (E), spindle (G), disc collar (F), and lift stop (H), allow the disc to seek its natural position for tight closure. The Consolidated *Thermoflex*™ Disc design, by allowing for the rapid equalization of temperature around the valve seat, provides a degree of tightness designed to exceed that offered by competitive valves.

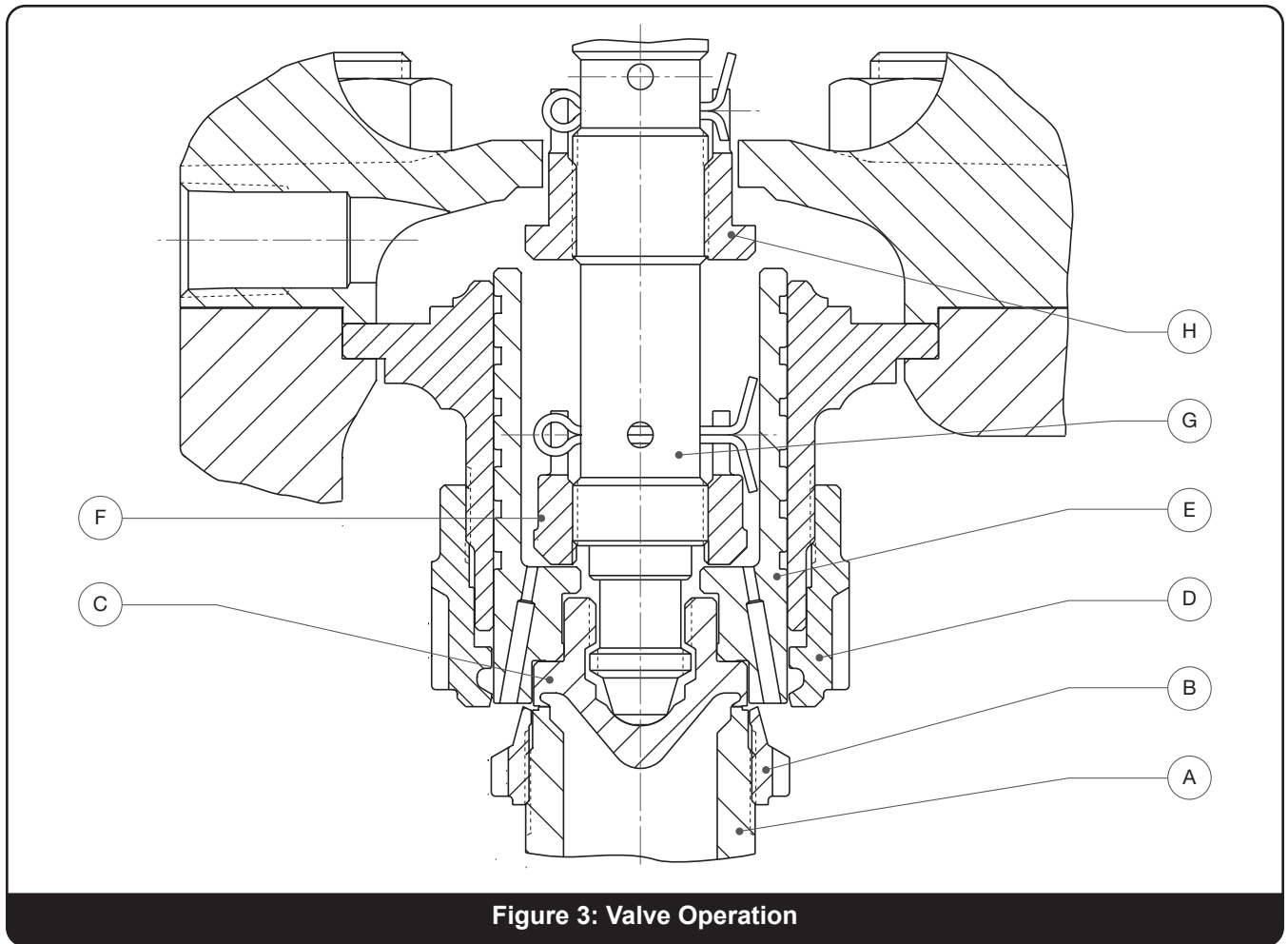
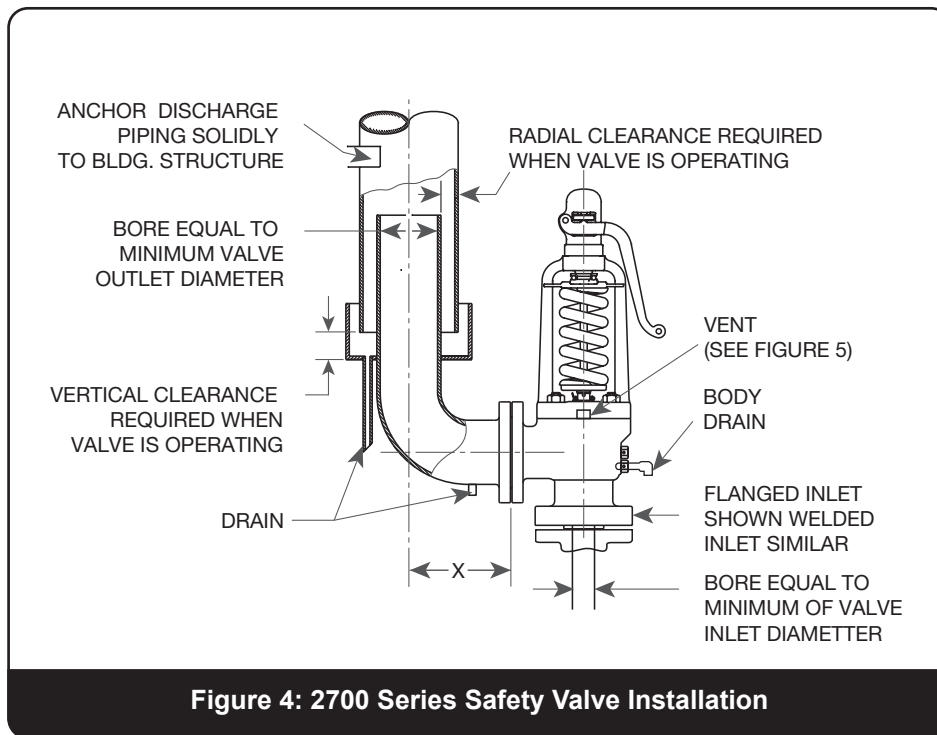


Figure 3: Valve Operation

# XI. Recommended Installation Practices

## A. General Requirements



**Figure 4: 2700 Series Safety Valve Installation**

Inlet Size		Class	'X' max	
in.	mm		in.	mm
3.00	76.2	150	7.250	184.15
6.00	152.4	150	12.500	317.50
8.00	203.2	150	16.000	406.40
3.00	76.2	300	7.625	193.68
6.00	152.4	300	12.875	327.03
8.00	203.2	300	16.375	415.93

In no case may the inlet piping to the valve have a flow area less than the area of the valve inlet.

Excessive pressure loss at the inlet of the safety valve will cause extremely rapid opening and closing of the valve, that is known as “chattering”. Chattering may result in lowered capacity as well as damage to the seating surface of the valve. Severe chattering can cause damage to other parts of the valve.

The following recommendations will assist in eliminating the factors that produce chatter:

1. The downstream corner of the header nozzle must be rounded to a radius of not less than .250” (6.35 mm) of the opening diameter. (See Figure 5.)
2. Pressure drop due to friction flow to the inlet of the valve should not be greater than 50 percent of the expected blowdown of the safety valve.

To decrease the effects of a phenomenon known as “sonic vibrations,” or “flow induced vibrations”, the following recommendations are made:

1. Safety valves should be installed at least eight to ten pipe diameters downstream from any bend in a steam line. This distance should be increased

The valve should be installed to meet all the requirements of Figure 4.

The safety valve shall be connected to the header independent of any other connection, and attached as close as possible to the header, without any unnecessary intervening pipe or fitting. “Necessary” intervening pipe or fittings shall not be longer than the face-to-face dimension of the corresponding tee fitting of the same diameter and pressure, per ANSI/ASME Standards.

No valve of any description should be placed between the safety valve and the header, nor on the discharge pipe between the safety valve and the atmosphere.

# XI. Recommended Installation Practices (Cont.)

when the valve is installed on the horizontal section of a header that is preceded by an upward section.

2. Safety valves should not be installed closer than eight to ten pipe diameters either upstream or downstream from a diverging, or a converging, "Y".
3. In cases where a piping configuration renders the above two recommendations impractical, or impossible, the downstream corner of the header nozzle inlet should be rounded to a greater extent than the upstream corner. The header nozzle entrance should be rounded so the radius at the downstream corner will be equal to a minimum of one-fourth of the nozzle diameter. The radius should be reduced gradually, leaving only a small portion of the upstream corner with a smaller radius. (See Figure 5.)
4. Safety valves should never be installed, in a steam line, in a position directly opposite to a branch line.

Excessive line vibrations are known to produce shifts in safety valve set pressures. Vibrations may possibly introduce chatter, causing damage to the valve and

Table 2: 2700 Yoke Vent Sizes		
Orifice Designation	Yoke Vent Size (NPT)	
	in.	mm
1	.50	12.7
2	.50	12.7
3	.50	12.7
5 <sup>1</sup>	.75	19.0
4 <sup>1</sup>	.75	19.0
6	1.00	25.4
7Q	1.00	25.4

1. #5 is a smaller orifice than #4

reducing its capacity. Vibration also contributes to increased incidents of seat leakage. Considerations should be given to eliminating this problem prior to installing the valve on the unit.

Steam flowing vertically out of a discharge elbow produces a downward reaction on the elbow. Effects of reaction force, vibration, and seismic loads, on all valve components and discharge piping, should be considered when designing the valve system. Refer to ANSI B.31.1, Non-Mandatory Appendix II, Baker Hughes Product Information Sheet SV/PI-15, and Baker Hughes Bulletin SV-5 for further information.

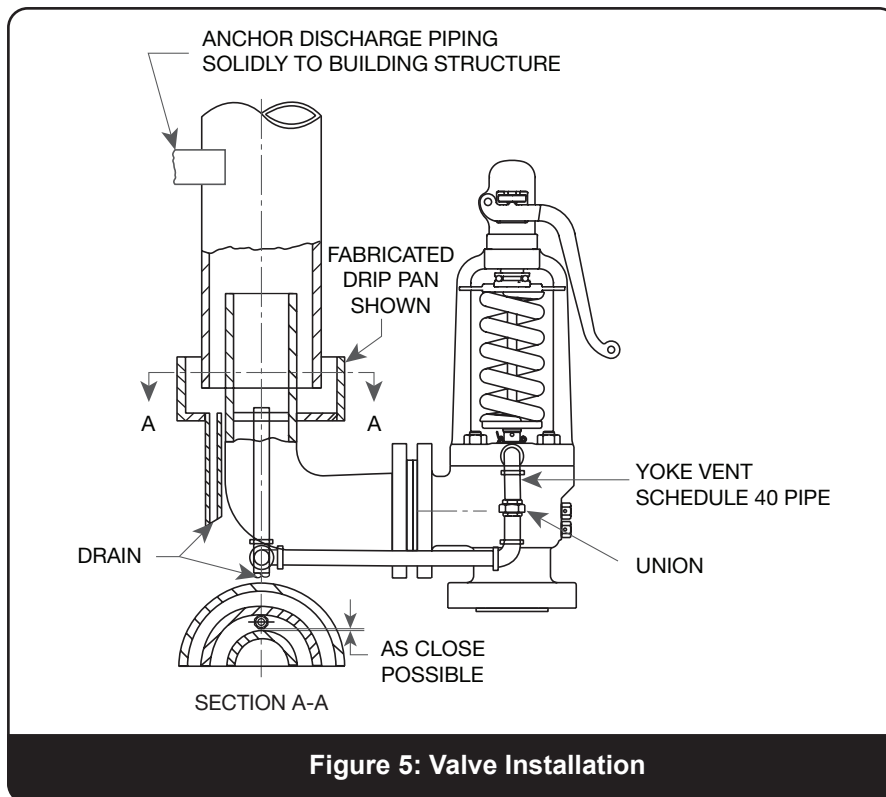


Figure 5: Valve Installation

## XI. Recommended Installation Practices (Cont.)

For optimum performance, safety valves must be serviced regularly and otherwise maintained. So that servicing can be properly performed, valves should be located in a manner that allows for easy access. Sufficient working space should be provided around and above the valve to permit access to adjusting rings. If two or more valves are located close together, the outlets should be parallel so as to offer as much protection as possible to personnel repairing, or working close to, the safety valve.

Because foreign material passing into and through, a safety valve is damaging, the system on which the valve is installed must also be inspected and cleaned. New systems are prone to contain welding beads, pipe scale, and other foreign materials that are inadvertently trapped during construction, and they can destroy the valve seating surfaces the first few times the valve opens.

With regard to weld-end inlet valves, completely assembled valves may be installed without disassembly being necessary at the time of welding. During welding, the valve neck should be insulated to reduce thermal stresses. When stress relieving, insulation should also be utilized to reduce thermal stresses. In service, the valve neck should be insulated at least to the point of the inlet neck/valve body-bowl juncture.

Safety valves should be installed in a vertical position. Nominal tolerance on vertical installation is plus or minus 1 degree.

The discharge area of the outlet piping from a safety valve should not be less than the area of the outlet connection. Where more than one safety valve is connected to a common outlet pipe, the area of the pipe should not be less than the combined area of the outlet connections to the safety valves.

All safety valve discharges should be piped so that the effluent is discharged clear from walkways or platforms. Ample provision for gravity drain should be made in the discharge pipe at, or near, each safety valve where water or condensation, may collect. Each valve has an open gravity drain through the body, below the level of the valve seat, and this drain should be piped to a safe discharge area.

If a silencer is used on a safety valve, it should have sufficient outlet area to prevent back pressure from interfering with the proper operation and discharge

capacity of the valve. The silencer or other piping components should be constructed so as to avoid the possibility of creating corrosion deposit restrictions in the steam passages.

Exhausts, drains, and vents must be installed so that they will not impose undue stresses on the safety valve. Any such stresses can produce body distortion and leakage. Therefore, the following recommendations are provided:

1. Discharge piping should not be supported by the valve. The maximum weight on the outlet of the valve should not exceed the weight of a flange and short radius elbow, plus a 12-inch (304.8 mm) straight length of standard weight thickness pipe (with drip pan).
2. Clearance between the valve exhaust piping and the discharge stack should be sufficient to prevent contact when considering thermal expansion of the header, valve, and discharge stack. Movements due to vibration, temperature changes, and valve reaction forces should also be considered, to ensure adequate clearance between the exhaust piping and the discharge stack.
3. Flexible metal hoses are not generally recommended, but if used to connect valve outlets to discharge stacks, they must be of sufficient length, and be configured/installed in such a manner, that they will not become "solid" in any one position. Better results are obtained if the hoses are installed so that they will permit movement by bending, rather than by stretching and compressing along their length.

The yoke can be vented to the atmosphere as in Figure 4 and 5. Precautions should be taken to vent the yoke in such a manner that it will exhaust into a safe area to prevent injury to personnel near the valve. The yoke vent piping must not be connected to the body drain piping.

Do not plug the yoke vent hole or reduce the vent hole pipe size, (Reference Table 2), as this could lead to valve malfunction and damage.

Precautions should be taken to prevent accumulations of foreign material or water in the vent pipe. This vent is a critical part of the valve system for controlling valve blowdown and lift.

## XI. Recommended Installation Practices (Cont.)

All face surfaces that require gaskets, to seal pressure, should be inspected for cleanliness, or any defects that can cause leakage. Burrs, mashed serrations, uneven surfaces, etc., are all possible leakage-producing defects. Proper gasket sizes and pressure ratings should be checked prior to starting valve installation.

It is of utmost importance that the gaskets used be dimensionally correct for the specific flange, and that they fully clear the valve inlet and outlet openings. Gaskets, flange facings, and bolting should meet the service requirements for the pressure and temperature involved. Other valve installation considerations include:

1. Install the inlet gasket, if required, on the header mounting flange. Check for cleanliness, surface alignment condition, gasket condition, etc. When possible, inlet studs on the mounting flange should be used to guide the valve on the header mounting flange. Inlet studs should be lubricated with the appropriate lubricant.
2. When installing flanged valves, the flange bolts must be pulled down evenly to prevent body distortion, misalignment, and leakage.
3. With valve in position, screw on the stud nuts until all nuts are finger tight. An initial torque shall be placed, in turn, on each stud nut. Increase the torque progressively until the final torque is applied. Upon completion, recheck each stud nut's torque. Required torque will vary with bolting material and gaskets used. See your company engineering or specification department for details on torquing sequence and torque values. As an extra precaution, the gap between the two mating flanges should be checked during the torquing process to ensure that the flanges are being pulled together evenly. A final inspection and review should be made to ensure that all of the requirements for bolting the valve inlet have been implemented.
4. The outlet piping may now be installed. A complete inspection of components and their cleanliness is to be made prior to further work. Studs are to be lubricated with an appropriate lubricant.

5. Install the outlet gasket, studs and nuts. Stud nuts are to be pulled down finger tight. An initial value of torque is to be applied. The additional procedures outlined, in Step 3 should also be followed.

After being assured that the valve is properly installed, the drainage piping from the valve body-bowl is to be connected. This line also must be flexible, so it will not create stress on the valve under operating conditions.

Prior to completing the installation, a visual check should be made to ensure that the valve lifting lever has room and is free to operate.

At the time of installation, an inspection of the valve should be made to confirm that all adjustment components (i.e., ring pins, cap, etc.) are properly locked and sealed, as required by the ASME Code.

For operational hydrostatic tests at the valve inlet, that do not exceed valve set pressure, the valve should be gagged. Refer to the final "Field Testing" portion of this manual for proper techniques. Ensure that the gag is removed upon completion of the inlet hydrostatic test.

Prior to startup of the unit on steam, the sections of this manual that specify requirements for set pressure testing should be reviewed. For conditions where the valve is subjected to high steam pressures (i.e., those exceeding normal operating conditions), preparations should be made to gag the valves. These preparations should then be cleared with the boiler manufacturer and Baker Hughes. Refer to Section XIV. B.3 of this manual for the proper gagging techniques.

The safety valve should be tested with full steam pressure to ensure that the safety valve installation has been properly accomplished. In some cases this is not practical, thus the use of Consolidated *Hydroset*<sup>™</sup> Test Device or *EVT*<sup>™</sup> software, should be considered. For valves being tested for set pressure by using a Consolidated Hydroset Test Device or EVT software, only the set pressure is being verified. Other factors such as blowdown, lift, reaction force, proper discharge stack sizes and effects of thermal expansion cannot be determined, using these setting devices. Full flow steam testing is recommended at initial start-up to adjust blowdown and verify proper

# XI. Recommended Installation Practices (Cont.)



installation. Proper adjusting ring position can then be recorded and maintained when valves are serviced.

Vent and drain piping should have a union connection to facilitate valve removal or servicing in place (Figure 4.)

## B. Outdoor Safety Valve Installation

Safety valves operating under the best possible conditions (i.e., favorable operating gap, relatively stable ambient temperatures, the absence of dirt and in relatively still air) will provide the maximum degree of safety, tightness and dependability.

When a safety valve is installed in an outdoor location, it may be exposed to wind, rain, snow, ice, dirt and varying temperatures. Therefore, the following recommendations are made for proper protection and to ensure that operational dependability can be restored to a level near that of the valve installed under ideal conditions:

The inlet neck of the safety valve and safety valve body, up to the top of the base, should be insulated. The exterior surface of any such insulation should be made weather-proof by any suitable means. In addition to maintaining a more even temperature within the valve body, especially during widely fluctuating ambient temperatures, this insulation will effectively reduce thermal stresses due to high temperature gradients through the walls of the safety valve nozzle.

Spring covers should be used to stabilize, as nearly as possible, the temperature of the spring to prevent the accumulation of snow and ice between the coils of the spring and to prevent dirt and fly ash from accumulating between the coils of the spring.

Lifting gear covers should be installed to prevent ice, dirt and fly ash from accumulating in areas inside the safety valve cap.

## C. Indoor Safety Valve Installation

Indoor valve installations should have inlet necks insulated only up to the underside of the valve body. Considerations should be given to ambient temperature changes greater than 100°F (37.8°C), because of possible set point changes that may occur.



## XII. Disassembly

### A. General Information

The Consolidated 2700 Series Safety Valve can be easily disassembled for inspection, reconditioning seats or replacing internal parts. The initial spring load can be established after reassembly. (Refer to Figure 1 and 2 for parts nomenclature).

#### Notes:

- Before starting to disassemble the valve, be sure that there is no steam pressure in the drum or header.
- Parts from one valve should not be interchanged with parts from another valve.

### B. Specific Steps

1. Remove the top lever pin and top lever.
2. Loosen the cap set screw and remove the lever and cap assembly.
3. Remove the cotter pin that retains the release nut, and then remove the release nut.
4. Refer to Figure 6, and measure and record Dimension A, as this information will be required to correctly re-assemble the valve.
5. Loosen the compression screw locknut and the compression screw, to remove tension from the spring.
6. Loosen and remove the yoke stud nuts.
7. Carefully lift the yoke and spring assembly over the spindle, and away from the valve.

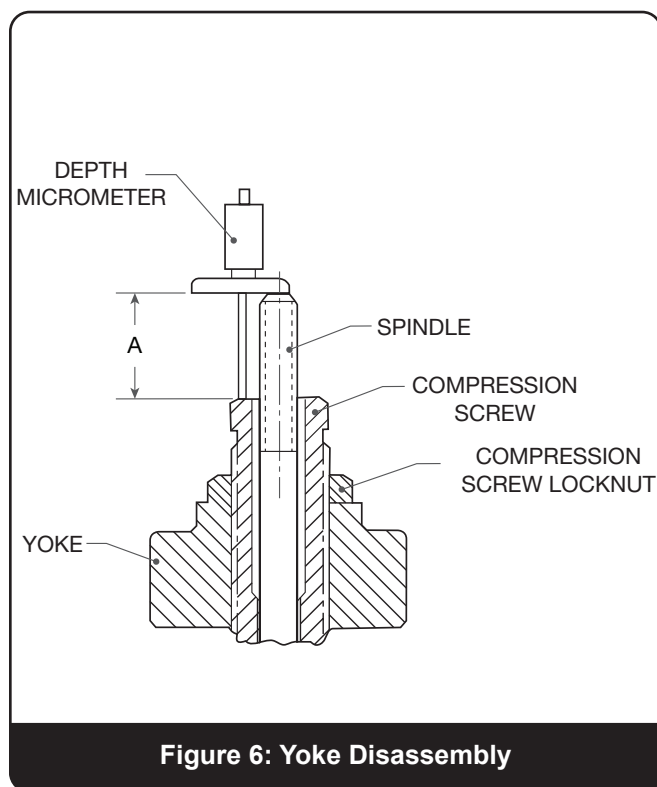


Figure 6: Yoke Disassembly

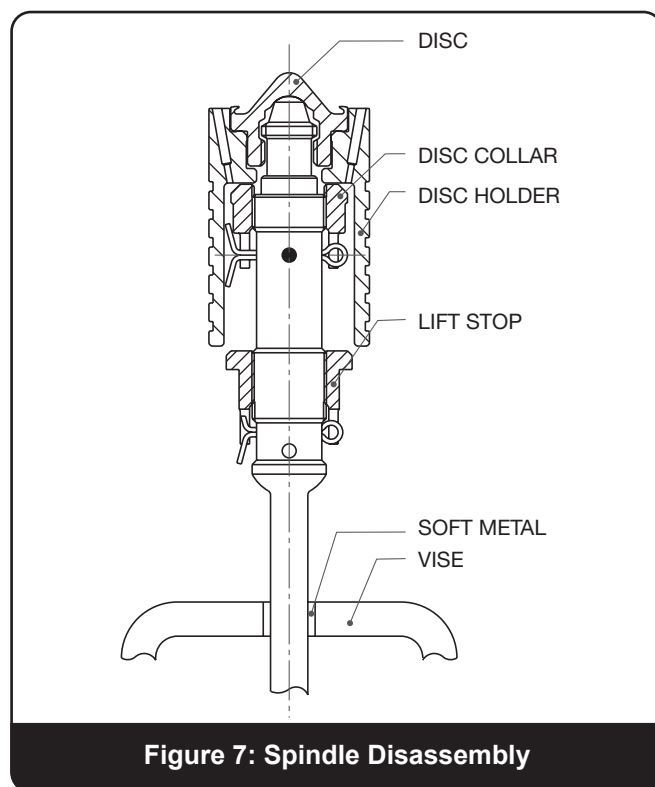
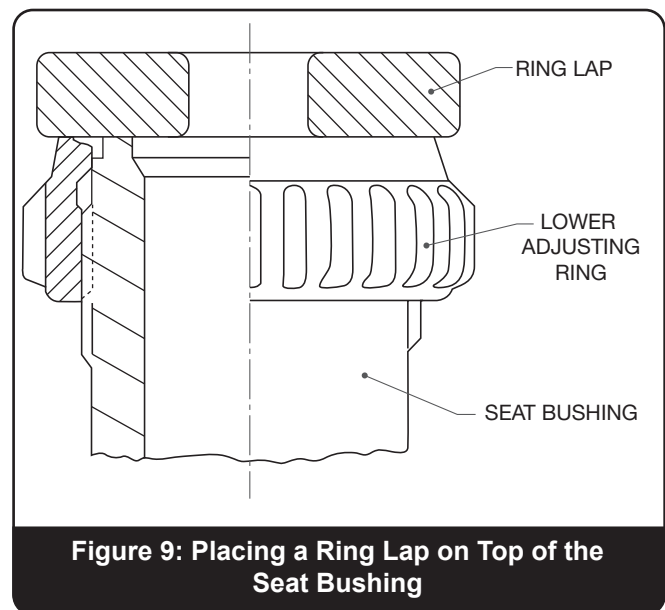
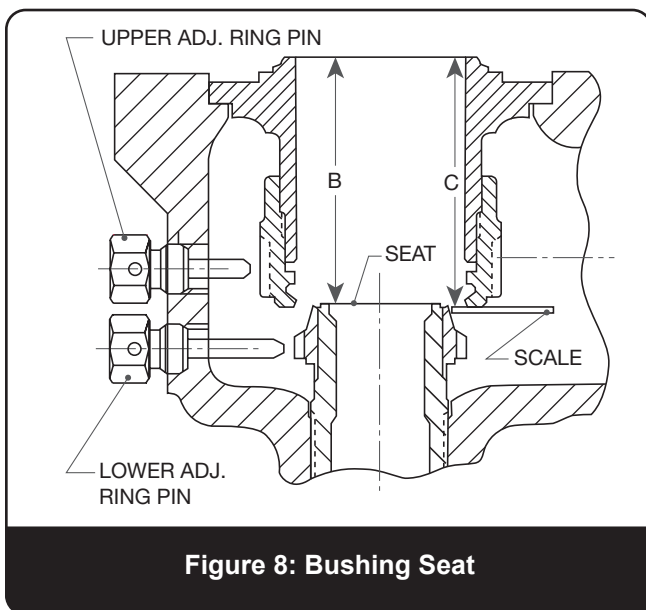


Figure 7: Spindle Disassembly

## XII. Disassembly (Cont.)

8. Remove the thrust bearing assembly and the spring washer assembly. Mark the spring to indicate the top of the spring, as this formation will be used in reassembly.
  9. Remove the spindle, disc and disc holder assembly from the valve by lifting the spindle. Take care to ensure that the disc seating surface is not damaged from improper handling.
  10. To remove the disc and disc holder from the spindle, first insert the spindle into a vise (see Figure 7), being careful not to damage the threaded end of the spindle. Then, lift up on the disc holder and turn the disc/disc holder counterclockwise to engage the “drop-thru” threads. Once the threads are engaged, release the disc holder and continue to unthread and remove the disc. After the disc is removed, lift the disc holder from the spindle.
- Note: Removal of the lift stop and/or the disc collar from the spindle is usually unnecessary, unless the spindle is to be replaced.**
11. Measure from the top of the guide to the bushing seat (Dimension B, Figure 8) with a depth micrometer or other suitable measuring device. Record Dimension B.
  12. Place a scale or other thin flat metal surface against the lower face of the upper adjusting ring and measure from the top of the guide to the face of the upper adjusting ring (Dimension C, Figure 8). Record Dimension C.
  13. Remove the upper adjusting ring pin from the valve base.
  14. Remove the guide and upper adjusting ring.
  15. Loosen the lower adjusting pin until the pin is slightly clear of the notches in the lower adjusting ring. Being careful not to move the lower adjusting ring, place a ring lap on top of the bushing seat. (See Figure 9.) Then, using the ring pin as a “pointer”, or reference point, rotate the lower adjusting ring counterclockwise and count the number of notches that pass in front of the “pointer” until contact is made with the ring lap. Record this information, as it will be required to correctly reassemble the valve.
  16. Remove both the lower adjusting ring pin and the lower adjusting ring from the valve base.
  17. The valve is now ready to be cleaned and the parts inspected for proper size and condition.





# XIII. Inspection and Part Replacement

## A. General

Once the valve is disassembled, appropriate parts can be inspected for damage to determine their suitability for reuse.

## B. Specific Components

### 1. Lever and Cap Assembly

Visually inspect the lever and cap assembly for damage from improper handling or severe corrosion. Components should be replaced if damage interferes with proper function or manual lifting of the valve.

### 2. Compression Screw and Locknut

The compression screw must be replaced if the threads are damaged to the point that spring adjustment is affected. The wrench flats should not be worn, rounded or distorted due to the improper use of an adjusting wrench on either the compression screw or locknut. The spring washer bearing surface or compression screw adapter surface (5 through Q orifice only), should not be pitted or torn and should have a 32 RMS finish.

### 3. Thrust Bearing

The aligning washer must match evenly to the lower thrust bearing spherical surface, such that full face contact is achieved between the parts. Therefore, grind together, or replace the entire thrust bearing, as necessary.

### 4. Top and Bottom Spring Washers

The lower spring washer bearing surface must be ground to the spindle. To grind the lower spring washer, a 320-grit (Clover 1A) lapping compound is used for roughing in, and then finish the lap with 1000-grit Kwik-Ak-Shun lapping compound until a satisfactory bearing band is obtained. The bearing width should be 1.800" (3.20 mm) minimum to 3.160" (4.80 mm) maximum. Clean the lower spring washer and spindle when complete.

### 5. Spring

Visually inspect for pitting and corrosion of coils that will reduce the coil diameter. When this condition is found, replace the spring. Inspect for end parallelism in the free height and any obvious unevenness in coils, collapse of coils or general distortion.

### 6. Spindle

It is important that the spindle be kept very straight in order to transmit the spring force to the disc without lateral binding. Overgagging is one of the common causes of bent spindles. A method to check the essential working surfaces of the spindle is illustrated in Figure 10. This may be performed either with or without the disc collar and lift stop on the spindle.

- a. Using Figure 10 as a reference, clamp a V block (A) made of wood, fiber or other suitable material onto the platform railing. Imbed the ball end of the spindle in a piece of soft wood (B) and place the top of the spindle below the threads, in the V block (A). Clamp a dial indicator onto the railing and locate at point (C). The total indicator reading should not exceed .007" (0.18 mm) when the spindle is rotated. If it does, the spindle must be straightened prior to reuse.

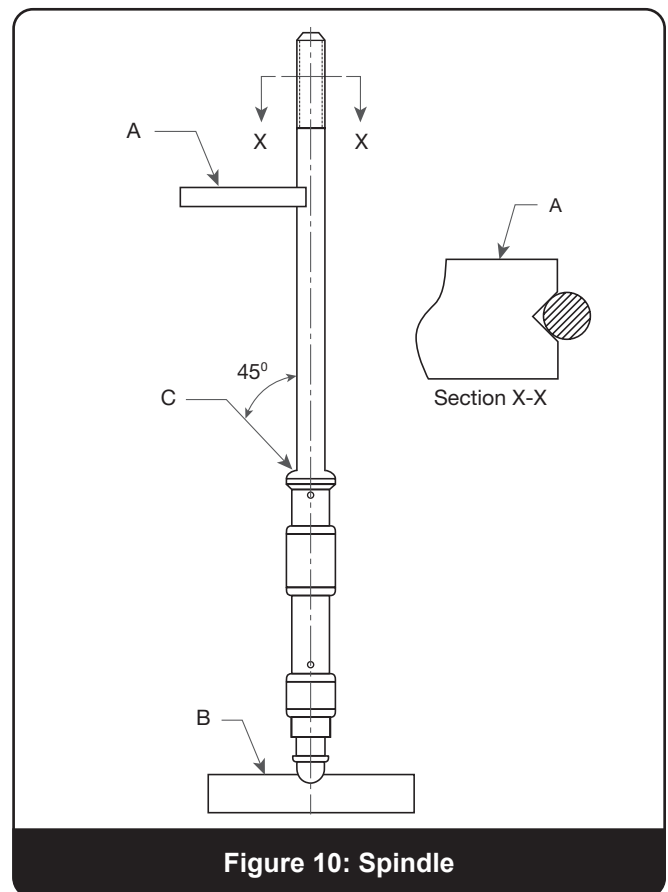
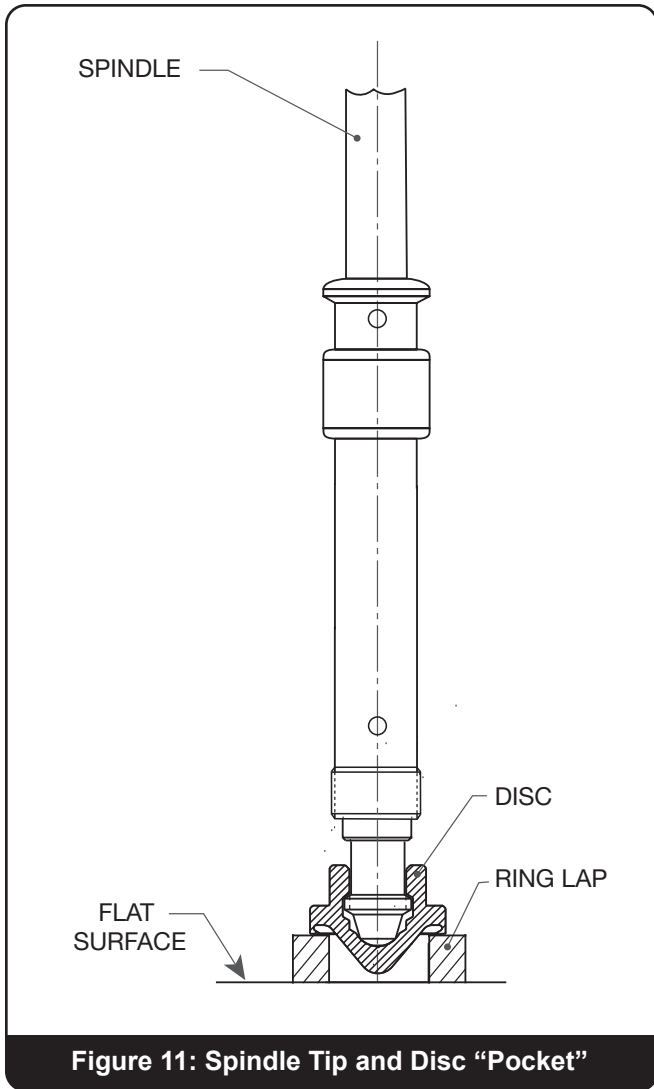
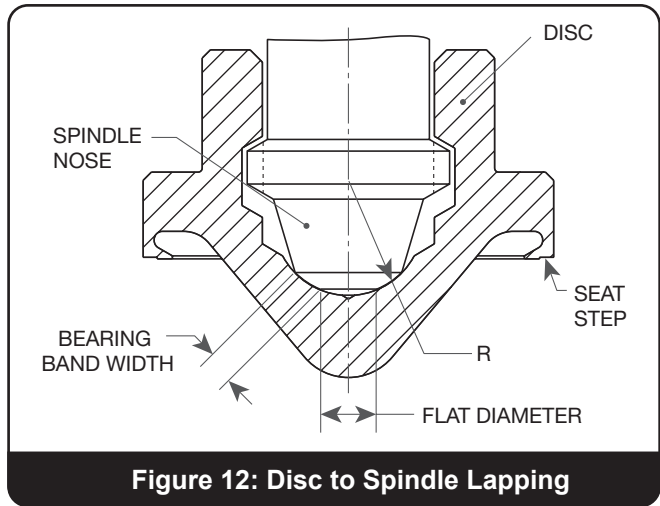


Figure 10: Spindle

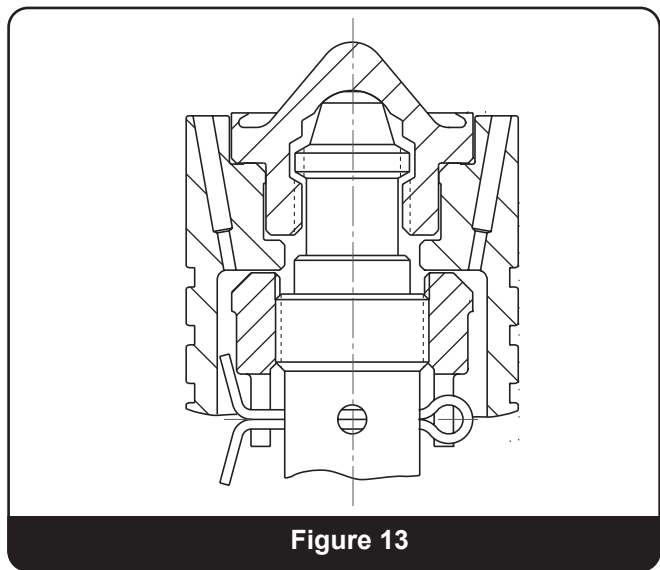
### XIII. Inspection and Part Replacement (Cont.)



**Figure 11: Spindle Tip and Disc "Pocket"**



**Figure 12: Disc to Spindle Lapping**



**Figure 13**

- b. To straighten the spindle, place the unthreaded portion of the small and large end in padded V blocks, with the point of maximum indicator readout upward, and then apply a downward force with a padded press or jack as required, until the spindle is within the specifications.
- c. Other parts of the spindle not used as working surfaces may run out considerably more than .007" (0.18 mm), but this should not be regarded as unacceptable. Although the upper thread end is not a working surface, excessive bending in this area could affect the accuracy of the Consolidated Hydroset Test Device or EVT software, if either of these devices is used to verify valve set pressure.
- d. Apply a small amount of lapping compound (1A) on the tip of the spindle. Install the disc—without the disc holder - onto the spindle tip, turning it clockwise until the disc threads drop

- out. Place a ring lap on a table, or similar flat surface, and wipe the exposed surface of the lap clean. Insert the disc nose into a ring lap, so that the seat contacts the lap surface. Oscillate the spindle using 360-degree oscillations for approximately 15 seconds, then check the spindle tip and disc "pocket" to determine progress. (See Figure 11.)
- e. The spindle nose should be ground into the disc pocket until the bearing is clearly marked. The band position is shown in Figure 12.
- f. Place the disc holder on the spindle, allowing it to rest on the face of the disc collar as previously shown in Figure 7 on Section XI.B. Then assemble the disc holder and new disc. The disc should be free enough to rock on the spindle tip. If there is no freedom, lower the disc collar until the disc is free to rock slightly initially, approximately .001 to .002" (0.25 to

# XIII. Inspection and Part Replacement (Cont.)

**Table 3: Disc to Spindle Lapping Information**

Orifice	Nose Radius		Flat Diameter		Bearing Band Width	
	in.	mm	in.	mm	in.	mm
1	.277 <sup>+0.000</sup> / <sub>-.004</sub>	7.04 <sup>+0.00</sup> / <sub>-0.10</sub>	.125	3.18	.125	3.18
2	.377 <sup>+0.000</sup> / <sub>-.004</sub>	9.58 <sup>+0.00</sup> / <sub>-0.10</sub>	.313	7.95	.125	3.18
3, 5, 4, 6	.495 <sup>+0.000</sup> / <sub>-.005</sub>	12.57 <sup>+0.00</sup> / <sub>-0.13</sub>	.250	6.35	.219	5.56
Q	.582 <sup>+0.000</sup> / <sub>-.005</sub>	14.78 <sup>+0.00</sup> / <sub>-0.13</sub>	.250	6.35	.281	7.14

**Table 4: Allowable Guide / Disc Holder Clearance**

Orifice	Temp. Class	Maximum Clearance	
		in.	mm
#1	B	.005	0.13
	D	.008	0.20
#2	B	.008	0.20
	D	.012	0.30
#3	B	.010	0.25
	D	.015	0.38
#5	B	.011	0.28
	D	.017	0.43
#4	B	.012	0.30
	D	.018	0.46
#6	B	.016	0.41
	D	.016	0.41
#Q	B	.025	0.64
	D	.025	0.64

.05 mm) rock. The disc collar must then be lowered two additional notches from this initial position and secured with a stainless steel cotter pin (see Figure 13).

**Note: Failure to provide the recommended disc rock at assembly will result in a leaking valve.**

- g. The desired band width for Consolidated Series 2700 Safety Valves is shown in Table 3. In addition, the finished machined size of the spindle nose radius, and the flat diameter for each orifice size, are also shown in this Table. If the required bearing band cannot be obtained by hand grinding, then this radius should be checked and remachined if necessary.
- h. If the band extends too high on the radius it will be difficult to rock the disc, and the disc may lock up under pressure. If the band is too narrow, the spindle may indent the disc and again the rock will be lost.

- i. When the bearing area is re-established, clean both surfaces. Then apply lubricant to the spherical surface of the spindle tip, and work it into the surfaces by rotating the disc on the spindle.

## 7. Guide

Inspect the guide inside diameter for egging, and ensure the inside surface is smooth. The threads on the outside must be in good condition to ensure the upper ring will adjust, even when the valve is hot. If serious galling is present, the guide should be replaced.

- a. Clearance — The maximum clearance between the disc holder and guide should be in accordance with Table 4.

## 8. Disc Holder

The surface on the end of the disc holder closest to the disc must be free from steam erosion. The two small holes must be open to ensure the passage of steam to the chamber above the disc. Make sure the outside diameter is not egg shaped and the surface is smooth. If any small indication of galling is present, polish the high spots with an emery cloth. If serious or large-scale galling is present, the disc holder should be replaced.

## 9. Disc

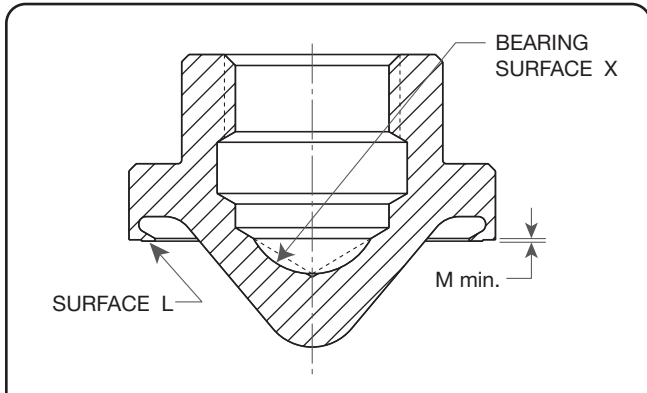
Inspect the disc seat for steam cuts, nicks, or other damage. If the seat step measures less than dimensions specified in Table 5, this indicates that the thermal lip has been lapped to the minimum thickness.

Do not machine any *Thermodisc*<sup>™</sup>; however, a disc that is not below minimum relief can be lapped to remove minor damage.

### a. To Lap Disc Seat

- (i) The above lapping method is also used on the disc seat. When lapping the disc seat, the disc should be held stationary, but not rigidly, and the lap moved as above. Use care not to strike the cone of the disc, as this would cause the seat to be high on the inside.

# XIII. Inspection and Part Replacement (Cont.)



**Figure 14: Disc**

**Table 5: Minimum Seat Relief**

Orifice	M min.	
	in.	mm
#1	.004	0.10
#2	.005	0.13
#3	.006	0.15
#5	.007	0.18
#4	.008	0.20
#6	.010	0.25
#Q	.012	0.30

- (ii) The Thermodisc cannot be machined. If, after lapping, Dimension M, in Figure 14, does not meet the minimum specified in Table 5, the disc should be replaced.
- iii) It may not be necessary to use all the laps at any one time, but having a sufficient supply on hand will save reconditioning time. The laps should be reconditioned on a flat lapping plate. A lap should not be used on more than one valve without being reconditioned. Laps must be checked for flatness prior to use, and at frequent intervals during use. A lap that is flat within one-half light band is considered satisfactory. Information on the Monochromatic Light and optical flat is available, upon request, from Baker Hughes Consolidated Field Service Department.

(iv) To recondition a ring lap, wipe all compound from the lapping plate and ring lap, then move the ring lap in a figure-eight motion on a lapping plate. If the lap is not flat, a shadow will be apparent. To remove the shadow, coat the lapping plate with 1000-grit compound and lap the ring with figure-eight motions covering the lapping plate.

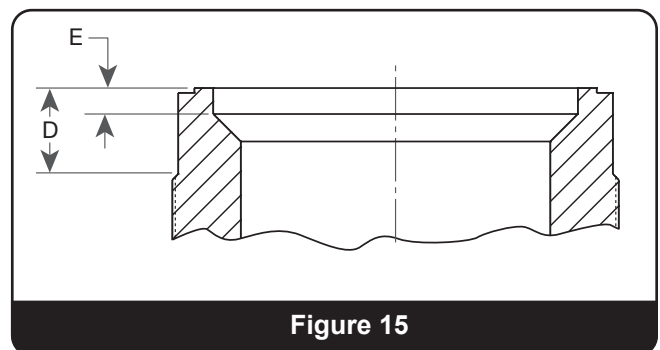
## 10. Seat Bushing

- a. A Consolidated reseating machine should be used to recondition badly worn and out of tolerance bushing seats. This machine can be provided by Consolidated's Service Department, and eliminates the need to remove a valve from the unit. The machine is mounted in place of the yoke and cuts the top face, inside diameter, and outside of the bushing, to establish the correct height, angles, and diameters.
- b. The use of a reseating machine is suggested for reconditioning badly worn seats, or for re-establishing Dimension E per Figure 15. Dimension E should be re-established when it is less than .010" (0.25 mm) for orifices 1, 2, 3, 5 and 4; and less than .030" (0.76 mm) for orifices 6 and Q.
- c. To lap the bushing seat.

**Note: If the bushing seat surface requires extensive lapping or reconditioning, a reseating machine should be used prior to lapping.**

- (i) Cover the seat lap face with a light coating of 1-A Clover Compound and gently place the lap on the valve bushing seat.

**Note: A heavy coat of lapping compound tends to round off the edges of the seat.**



**Figure 15**

## XIII. Inspection and Part Replacement (Cont.)

(ii) Lap, using an oscillating motion in various directions, while holding the lap loosely in the fingers and allowing the weight of the lap to rest on the seat surface. Control the motion of the lap to prevent either the inside or outside edge of the lap from crossing the bushing seat surface. If either edge touches the seat surface, the seat can become scratched and/or rounded.

**Note: Care should be used not to run off the seating surface with the lap, as this will cause the seat to become uneven.**

(iii) Do not lap excessively with a ring lap without resurfacing on a lapping plate. Use a new ring lap, if further lapping is required, to remove any defect in the seat. To finish lapping the bushing seat, apply a light coating of 1000-grit compound to the face of the new lap and repeat the lapping motion described previously.

(iv) Remove the ring lap and wipe the lap surface with a clean, lint-free cloth, leaving compound on the bushing seat. Replace the ring lap on the seat and lap as above, but without adding compound. Repeat this operation until the seat has a mirror finish. Any evidence of defects, such as gray areas or scratches, will require a repeat of the whole lapping procedure until a mirror finish is attained.

(v) While the finer points of lapping and “grinding-in” may be considered as a mechanical art, it is not beyond the ability of the average mechanic to produce good seats with some practice. No effort has been made in this manual to establish an exact procedure to cover each and every case, because different people can get the same results using their own techniques.

(vi) The following precautions and hints will be of assistance when lapping nozzle and/or disc seats:

- Two (2) ring laps per valve
- 1A Clover Grinding Compound per tool list<sup>1</sup>
- 1000-grit Kwik-Ak-Shun Grinding Compound per tool list<sup>1</sup>
- Clean, lint free cotton rags

**Note: This tool list is located on Section XV of this manual.**

d. Before lapping the nozzle and disc seat, the leading edges (inside diameter of seats) of both must be slightly chamfered as follows:

Use a fine-grade sandpaper to lightly break the inner edge and outer edge of the nozzle seat and disc seat. The purpose of this is to remove any small metal particles or fins attached to the sharp corner surfaces. Do not exceed .002” (0.05 mm) chamfer for this purpose.

e. Seat bushing should be replaced if D dimension is below the values mentioned in Table 6.

**Table 6: Seat Bushing Replacement Criteria**

Orifice	D min.	
	in.	mm
#1	.125	3.18
#2	.203	5.16
#3	.250	6.35
#5	.313	7.95
#4	.313	7.95
#6	.500	12.70
#Q	.438	11.13

# XIV. Re-Assembly Instructions

## A. General Information

The Consolidated Series 2700 Safety Valve can be easily re-assembled after required inspection/maintenance of internal parts has been performed. All parts should be clean prior to assembly. See Section XVI for recommended compounds, lubricants, and tools.

## B. Steps

1. Prior to reinstalling the lower adjusting ring, lubricate the threads of the lower adjusting ring pin and partially insert the pin into the valve body. Now the pin can again serve as a “pointer,” or reference point, as previously described in Section XI.B. of “Disassembly.”
2. Lubricate the threads of the lower adjusting ring, and install the ring in the valve body. Then, turn the lower adjusting ring clockwise until the top of the ring clears the seat.
3. The lower adjusting ring is to be installed in the position it originally held prior to disassembly. To do this, place a clean ring lap on the nozzle seat and turn the lower adjusting ring in a counterclockwise direction until it makes contact with the ring lap. If the original location of the adjusting ring was recorded, simply lower the ring, by turning it clockwise, the same number of notches as was recorded in Step XI.B. of “Disassembly.” If information on the original lower ring position is not available, the ring should be lowered, by turning it clockwise one notch for every 600 psig (20.7 barg) of set pressure. This position represents a starting position. See the following note.

**Note: For a valve set pressure of 1200 psig (81.6 barg), the ring will have to be lowered two (2) notches below the bushing seat. This will be the starting position, with the final position determined during field testing.**

4. Once the lower adjusting ring is in its correct location, lock it in place by installing in the lower adjusting ring pin. Verify that the lower ring is capable of a slight movement. If the lower ring does not move, the pin is too long. Should this be the case, grind the end of the pin slightly to shorten it, while retaining the original tip contour, then reinstall the pin.
5. If the upper adjusting ring has been removed from the guide, lubricate the ring threads and re-install the ring on the guide.
6. Install the adjusting ring and guide assembly into the valve base such that the scribe marks will be visible from the valve outlet or the inspection port.
7. Measure the overall length of the upper ring and guide assembly. Adjust the upper ring to the Dimension C recorded in Step 12 of Section XI.B., “Disassembly.” Observe the marks made on the ring and guide and adjust the ring to align the marks. Recheck the overall length of the adjusting ring and guide assembly to assure that the upper ring is in its original position.
8. Measure from the top of the guide to the bushing seat with a depth micrometer. Subtract Dimension B as measured in Step 11, Section XI.B. of “Disassembly,” from the dimension previously measured. The difference is the distance the upper adjusting ring must be lowered. Refer to Table 7 to

**Table 7: General Adjusting Ring Information**

Orifice	Pressure Class	Total Number of Notches		Number of Notches Disc Holder to Seat		Vertical Ring Travel for each Notch of Adjustment			
		Lower Ring	Upper Ring	Lower Ring	Upper Ring	Lower Ring		Upper Ring	
						in.	mm	in.	mm
#1	All	18	22	7	10	.0035	0.089	.0025	0.064
#2	All	21	31	8	12	.0030	0.076	.0020	0.051
#3	All	31	41	12	16	.0020	0.051	.0015	0.038
#5	All	31	37	12	17	.0020	0.051	.0015	0.038
#4	All	31	47	12	16	.0020	0.051	.0015	0.038
#6	All	41	56	30	45	.0015	0.038	.0010	0.025
Q	All	48	62	30	45	.0015	0.038	.0010	0.025



## XIV. Re-Assembly Instructions (Cont.)

determine the number of notches that the ring is to be lowered.

9. Once the upper adjusting ring/guide assembly is properly set, lubricate the guide seating surface in the valve base, and re-install the assembly into the base, then lubricate the threads of the upper adjusting ring pin and lock the ring/guide assembly in place by installing in the pin.
10. Verify that the upper ring is capable of a slight movement. If the upper ring does not move, the pin is too long. Should this be the case, grind the end of the pin to shorten it, while retaining the original tip contour, then reinstall the pin.
11. Clamp the spindle in a padded vise, with the “ball end” of the spindle upward.
12. Verify that the spindle bearing has been ground to the disc pocket, as specified in Section XII.B.6.e., of this manual.

**Note: This step must be accomplished before proceeding with re-assembly.**

13. If the lift stop was removed from the spindle, lubricate the threads and install the lift stop. Do not install the cotter pin at this time.
14. If the disc collar was removed, lubricate the threads and install on the spindle. Do not install the cotter pin at this time. Then, carefully lower the disc holder onto the spindle, allowing it to sit on the face of the disc collar.
15. Place the disc on the spindle, ensuring that the disc is free to “rock” on the spindle tip as specified in Section XII.B.6.f., of this manual. If disc “rock”

is not satisfactory, correct the cause before proceeding.

16. When disc “rock” is satisfactory, remove the disc and disc holder, and secure the disc collar with a stainless steel cotter pin. Using side cutters, carefully cut off excess cotter pin legs, and bend the cotter pin for a neat installation.
17. Lubricate the spindle tip, and assemble the disc holder and disc to spindle. Recheck the rock.
18. Remove complete assembly from the vise, being sure to protect the disc seat surface at all times.
19. Prior to installing the spindle assembly into the valve base, wipe the disc seat with a soft, lint-free cloth. Then, carefully install the spindle assembly into the guide.
20. Lubricate the compression screw threads with “Fel-Pro Nickel Ease,” and thread into the yoke. Install the lower washer on the spring and then install the upper washer on the spring. Lubricate the bearing assembly with “Fel-Pro Nickel Ease” and install on the upper spring washer.
21. For orifice sizes 5-Q, place the compression screw adaptor on top of the bearing.
22. Place the spring and bearing assembly into the yoke.

**Table 8: Required Lift for Capacity Verification**

Orifice	Capacity Lift		Required Additional Lift		Total Lift <sup>1 &amp; 2</sup>		
	in.	mm	in.	mm	in.	mm	
1	.281	7.14	.020	0.51	.301	7.65	Approx. 31 Notches
2	.338	8.59	.020	0.51	.358	9.09	Approx. 36 Notches
3	.450	11.43	.030	0.76	.480	12.19	Approx. 48 Notches
5	.516	13.11	.050	1.02	.566	14.12	Approx. 62 Notches
4	.563	14.30	.040	1.27	.603	15.57	Approx. 56 Notches
6	.750	19.05	.060	1.52	.810	20.57	Approx. 81 Notches
Q	.987	25.07	.070	1.78	1.057	26.85	Approx. 106 Notches

1. For full lift valves only.

2. Total lift tolerance is  $\begin{matrix} +.020 \\ -.000 \end{matrix} \begin{matrix} +0.51 \\ -0.00 \end{matrix} \text{ mm}$ . Per the ASME Section I code, the valve lift must be mechanically verified and shall meet or exceed the required lift.

## XIV. Re-Assembly Instructions (Cont.)

23. Lubricate the yoke studs with “Fel-Pro Nickel Ease.” Carefully lower the yoke/spring assembly over the spindle while aligning the yoke as shown in Figure 17 of Section XIV. Ensuring that the yoke vent hole is on the side of the valve opposite the inspection port, make certain that the yoke does not bind on the lift stop. Care should then be taken to tighten down the yoke evenly, so as to prevent distortion and misalignment.
24. Raise the lift stop until it contacts the yoke. Then, lower the lift stop to achieve the proper dimension shown in Table 8, or the restricted lift identified on the valve nameplate.

**Note: Do not deviate from stamped nameplate lift.**

The lift stop must be adjusted to the rated lift marked on the nameplate, plus an additional amount as indicated. The additional lift is to compensate for the heated condition of the lower spindle when the valve is in operation.

**Note: For all Consolidated Series 2700 Safety Valves, one revolution of the lift stop equals .063” (1.59 mm) of lift. There are six (6) notches on the lift stop, so each notch of adjustment represents approximately .010” (0.25 mm) lift.**

25. Secure the lift stop with a cotter pin.
26. Refer to Figure 16 and establish Dimension A to that previously recorded in Section XI.B.4 of “Disassembly.”
27. Ensure that the top washer arms do not remain in contact with the yoke, after each compression screw adjustment.

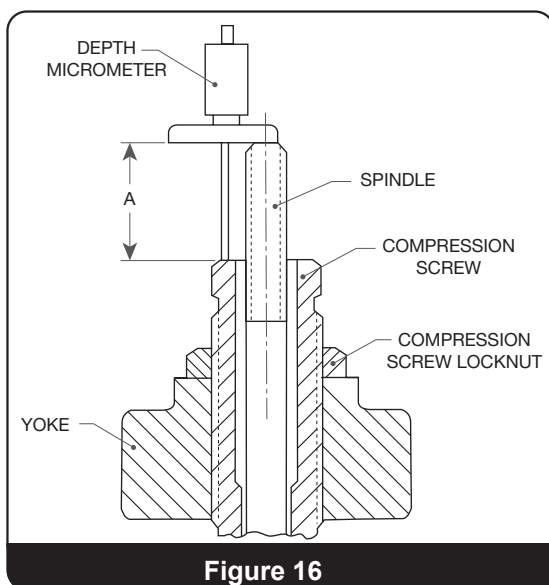


Figure 16

28. The valve is now ready for testing, after which the following steps can be taken:
  - a. After testing, the compression screw should be locked firmly in place with the lock nut.
  - b. Install the release nut onto the spindle. Then thread clockwise until the release nut is fully engaged on the spindle thread and the cotter pin hole is aligned. For numbers 1, 2, 3, and 4 orifices, run the release nut down enough to allow the lock nut to fully engage, and then loosely install the lock nut.
  - c. Install the cap over the release nut, and seat the cap firmly into place on the yoke. Install the top lever in the cap and then insert the top lever pin through the top lever and cap holes.
  - d. Adjust the release nut, until it clears the top lever by .125” (3.20 mm). Remove the lever pin, top lever and cap. Next, insert a cotter pin through the release nut slots and the spindle, and spread the cotter pin ends. Re-assemble the cap with the drop lever, top lever, and top lever pin. Install a cotter pin to lock the top lever pin in place. A final check should be made to ensure the proper clearance exists between the release nut and the top lever. Finally, tighten the cap set screw to secure the cap.
29. After testing the valve for proper set point and blowdown, the ring pins, top lever pin and lift stop shall be sealed. Run a continuous wire through the sealing wire holes leaving both ends in such a manner that a lead seal may be threaded to them. Before crimping the seal, assure that the parts being sealed cannot be tampered with, without removing the seal.



# XV. Setting and Testing

## A. General Information

Upon completion of hydrostatic testing of the boiler, but prior to placing the boiler in service,

### **ENSURE THAT THE HYDROSTATIC TEST PLUGS ARE REMOVED FROM ALL VALVES.**

All Consolidated Series 2700 Safety Valves are steam tested at the factory to verify set pressure adjustability and seat tightness. Every valve is set to have a clean popping action and to reseat tightly. However, because the boiler used in setting the valves has a small capacity, compared to the capacities of Consolidated safety valves, the valves are factory set with a long blowdown to prevent chattering under initial startup conditions. Final adjustments should be made on the operating system with conditions similar to those that will be realized under actual operating conditions.

**Note: Baker Hughes recommends full flow steam testing upon initial startup.**

Adjusting ring settings are initial adjustments only and are not intended to be final adjustments.

The use of a Consolidated Hydroset Test Device or EVT software can serve to establish set pressure but cannot be used for verifying blowdown, lift, etc. (For additional information, see Section X, Recommended Installation Practices, of this manual). It is recommended that the safety valves be tested and adjusted with the boiler isolated.

Factors that can affect valve operation, and that should be considered when initially setting a valve, are as follows:

1. Ambient temperature near the valve and valve temperature stabilization.
2. Line vibration.
3. Valve capacity versus rated flow through the line the valve is mounted on.
4. Discharge stack or drain piping binding.
5. Flow-induced vibrations or pressure pulsations set up by upstream bends. Valve inlet nozzle configuration, or other internal piping configuration problems.
6. High water level in the drum.

When the valves are subjected to working hydrostatic tests not exceeding the set pressure of the low set valve, valves may be gagged rather than using hydrostatic test plugs. For higher pressures, hydrostatic plugs should be used.

A common source of safety valve trouble is over-gagging. During hydrostatic testing, and during safety valve setting, gags should be applied only hand tight. During setting, over gagging will also cause damage to the seating surface and result in seat leakage.

The gag load applied should be only enough to ensure that the valves do not lift at the expected overpressure.

During startup, gags should never be applied when the boiler is cold. The spindle of the safety valve expands considerably with the temperature increase. If it is not free to expand with this temperature change, it may become seriously overstressed and bent.

Except for hydrostatic tests, boiler pressure should be brought up to within 80 percent of the pressure of the low set valve before applying gags.

Tighten the gags of drum and superheater valves hand tight.

When adjusting the ring positions of a valve, the valve must be gagged to prevent accidental lifting and personal danger.

If testing the set pressure of a valve, the other valves in the system should also be gagged.

## B. Application of Test Gags (All Pressures)

1. Refer to Figure 17. Remove top lever pin and top lever, then loosen the cap screw. Remove the lever and cap assembly. The release nut is fixed to the spindle by means of a cotter pin. Note that the release nut does not quite engage top of compression screw.
2. Center the test gag in the exposed end of the spindle and hook the legs of gag under the sides of the yoke.

Do not apply the gag load until the system steam pressure is equal to 80 percent of the pressure to which the low set valve is adjusted.

# XV. Setting and Testing (Cont.)

3. Apply the gag load by turning the gag screw clockwise. If the gag on any valve has not been tightened sufficiently, the valve will leak. On steam service the leakage is accompanied by a “sizzling” sound.

If this occurs, the hydrostatic test pressure or steam pressure should be reduced until the valve becomes tight and, then, the gag should be tightened still further.

This procedure must be followed exactly, since it is very difficult to stop the leak by additional gagging once it has started. Any attempt to stop the leakage through the valve, without first lowering the system pressure, could result in damage to the valve seats.

4. After the hydrostatic test or steam test is completed, the gags should be removed when the hydrostatic pressure has been reduced to 80 percent to 90 percent of the pressure of the low set valve.

**Note: Under no circumstances should the gags be left on the valves during normal boiler operation.**

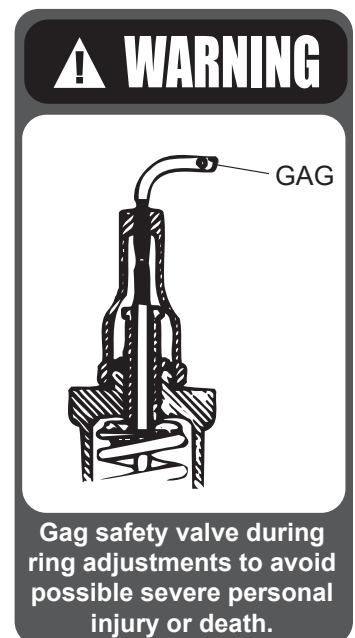
## C. Presetting Adjusting Rings

1. Remove the caps on all valves to be set on the steam drum and main steam line.
2. Install a currently calibrated pressure gauge on the drum near the valve being set. When the main steam valve is to be set, install the calibrated gauge upstream from the valves on the main steam line to read line pressure.
3. After the pressure in the boiler has increased to 80 percent of operating pressure, install gags on all boiler valves not being tested. Gags should be installed hand tight (no wrenches or mechanical force).

4. On the valve to be tested, use the following procedure and Table 9, to bring the adjusting ring to seat level.
  - a) Gag the valve to prevent the disc from accidentally lifting from the seat during adjustment.
  - b) Remove both service port plugs.
  - c) Remove the upper ring pin.
  - d) Move the upper ring until it is level with the disc holder.
  - e) From this point, move the upper adjusting ring down (from right to left as viewed through the service plug hole), counting the number of notches until the number in Column “B” in Table 9 appropriate to the orifice size is reached. This will establish the upper adjusting ring at seat level.
  - f) Adjust the upper adjusting ring as indicated in the upper ring column of Table 10, using either the Saturated Column or Superheated Column as conditions warrant
  - g) Replace the ring pin in the valve to hold the upper adjusting ring in position without binding.
  - h) Remove the lower ring pin.
  - i) Move the lower adjusting ring up until it contacts the disc holder.
  - j) After referring to Table 9, lower the adjusting ring the number of notches indicated in Column “A”  
This setting will place the lower adjusting ring at seat level.

**Table 9: Adjusting Ring Seat Level**

Orifice	Lower Ring Seat Level Adjustment in Notches	Upper Ring Seat Level Adjustment in Notches
	(Column A)	(Column B)
1	7	10
2	8	12
3	12	16
5	12	16
4	12	16
6	30	45
7Q	30	45



## XV. Setting and Testing (Cont.)

- k) Once the lower adjusting ring is at seat level it can be preset to the beginning test position by moving the adjusting ring down one notch for each 600 psi (41.37 bar) or part thereof. (Example: 1,000 psi (68.95 bar) Set Pressure = 2 notches.)
- l) Replace the adjusting ring pin in the valve to hold the lower adjusting ring in position without binding.
5. Wire the adjusting ring pins together to prevent them from loosening and vibrating out under pressure.
6. Replace the service port plugs.
7. Remove the gag from the valve to be tested, and reinstall the cap and lever assembly on the valve.
8. Now the valve is ready for steam testing.
4. If the valve operation is in compliance with the standard, proceed to step 7.
5. If the valve is not in compliance, reduce boiler pressure to approximately 85 percent of valve set pressure. GAG the safety valve being adjusted.
  - a) If set pressure is out of compliance turn the compression screw one sixth of a turn (clockwise to raise set pressure, and, counterclockwise to lower set pressure). Retest, and note the change in set pressure for one sixth turn, then calculate the number of turns needed to bring the set pressure to the desired pressure. Adjust as necessary.
  - b) If the blowdown is excessive, raise the upper adjusting ring (five to 10 notches). If the blowdown is insufficient, lower the upper adjusting ring (five to 10 notches). Re-test as in step 2, if the blowdown is not within specification repeat step 5.

### D. Steam Testing Instructions

1. Attach a rope to the lifting lever on the valve to be tested.
2. Increase the boiler pressure at a rate not to exceed 2 psi (0.14 barg) per second. Note and record the pressure indicated on the pressure gauge when the valve “pops” open. After the valve pops open, reduce the fire in the boiler and lower the pressure until the valve closes, note and record the pressure when the valve closes. If in raising the boiler pressure, the valve doesn’t open within 3 percent overpressure (for ASME Section I valves), or 10 percent overpressure (for ASME Section VIII valves), reduce the fire in the boiler and pull the rope to open the valve.
3. Determine if the valve popping point and reseating points comply with the ASME requirements for valve operation as recorded in Table 10. (See ASME Boiler and Pressure Code Section I, or Section VIII Valve Operation Standards for more details). To determine which standard to use, look at the nameplate on the valve. The symbol that is present on the nameplate will indicate the proper standard of operation. (See Table 11.)
6. Remove the gag, and repeat Step 2, raising the pressure until the valve pops, then proceed with the following steps until the subject valve is in compliance with the appropriate standard.
7. After one pop has been determined to be in compliance, test the valve two more times for consistency of set pressure and blowdown. Allow a minimum of 10 minutes between pops. If the operation remains in compliance with the standard, reduce the boiler pressure to approximately 85 percent of the set pressure and seal the valve cap and adjusting ring pins.
8. Proceed to the next valve to be tested.
9. When all valves have been tested and sealed, return the boiler to normal operating pressure (Table 12).

# XV. Setting and Testing (Cont.)

**Table 10: Adjusting Ring Presetting Information<sup>1</sup>**

Orifice	Orifice Area		Set Pressure Range				Lower Ring Position <sup>2,4</sup>	Saturated Steam		Superheated Steam	
								(Temp. Class B)		(Temp. Class D)	
	in <sup>2</sup>	cm <sup>2</sup>	min.		max.			Upper Ring <sup>2</sup> (Seat)	Upper Ring <sup>3</sup> (Disc Holder)	Upper Ring <sup>2</sup> (Seat)	Upper Ring <sup>3</sup> (Disc Holder)
		psig	barg	psig	barg						
#1	0.994	6.413	101	6.96	300	20.68	1N down per 600 psig. (413.68 barg) Max. 5N down	Seat Level	10N (down)	Seat Level	10N (down)
			301	20.75	500	34.47		20N (up)	10N (up)	Seat Level	10N (down)
			501	34.54	900	62.05		20N (up)	10N (up)	Seat Level	10N (down)
			901	62.12	1500	103.42		15N (up)	5N (up)	5N (down)	15N (down)
			1501	103.49	2500	172.37		10N (up)	3N (down)	10N (down)	23N (down)
			2501	172.44	2800	193.05		10N (up)	3N (down)	10N (down)	23N (down)
			2801	193.12	3000	206.84		5N (up)	8N (down)	15N (down)	28N (down)
#2	1.431	9.232	101	6.96	300	20.68	1N down per 600 psig. (413.68 barg) Max. 5N down	Seat Level	12N (down)	Seat Level	12N (down)
			301	20.75	500	34.47		20N (up)	8N (up)	Seat Level	12N (down)
			501	34.54	900	62.05		20N (up)	8N (up)	Seat Level	12N (down)
			901	62.12	1500	103.42		15N (up)	3N (up)	5N (down)	17N (down)
			1501	103.49	2500	172.37		10N (up)	Level w/ Holder	10N (down)	22N (down)
			2501	172.44	2800	193.05		10N (up)	Level w/ Holder	10N (down)	22N (down)
			2801	193.12	3000	206.84		5N (up)	7N (down)	15N (down)	27N (down)
#3	2.545	16.419	101	6.96	300	20.68	1N down per 600 psig. (413.68 barg) Max. 5N down	Seat Level	16N (down)	Seat Level	16N (down)
			301	20.75	500	34.47		25N (up)	9N (up)	Seat Level	16N (down)
			501	34.54	900	62.05		25N (up)	9N (up)	Seat Level	16N (down)
			901	62.12	1500	103.42		20N (up)	4N (up)	10N (down)	26N (down)
			1501	103.49	2500	172.37		15N (up)	Level w/ Holder	20N (down)	36N (down)
			2501	172.44	2800	193.05		15N (up)	Level w/ Holder	20N (down)	36N (down)
			2801	193.12	3000	206.84		15N (up)	Level w/ Holder	20N (down)	36N (down)
#5	3.341	21.555	101	6.96	300	20.68	1N down per 600 psig. (413.68 barg) Max. 5N down	8N (down)	25N (down)	8N (down)	25N (down)
			301	20.75	500	34.47		50N (up)	34N (up)	Seat Level	16N (down)
			501	34.54	900	62.05		40N (up)	24N (up)	10N (down)	26N (down)
			901	62.12	1500	103.42		40N (up)	24N (up)	10N (down)	26N (down)
			1501	103.49	2500	172.37		40N (up)	24N (up)	15N (down)	31N (down)
			2501	172.44	2800	193.05		45N (up)	29N (up)	25N (down)	41N (down)
			2801	193.12	3000	206.84		45N (up)	29N (up)	25N (down)	41N (down)
#4	3.976	25.652	101	6.96	300	20.68	1N down per 600 psig. (413.68 barg) Max. 5N down	9N (down)	25N (down)	9N (down)	25N (down)
			301	20.75	500	34.47		55N (up)	38N (up)	Seat Level	17N (down)
			501	34.54	900	62.05		50N (up)	33N (up)	10N (down)	27N (down)
			901	62.12	1500	103.42		45N (up)	28N (up)	15N (down)	32N (down)
			1501	103.49	2500	172.37		45N (up)	28N (up)	20N (down)	37N (down)
			2501	172.44	2800	193.05		45N (up)	28N (up)	25N (down)	42N (down)
			2801	193.12	3000	206.84		45N (up)	28N (up)	25N (down)	42N (down)
#6	7.070	45.613	101	6.96	300	20.68	1N down per 600 psig. (413.68 barg) Max. 5N down	Seat Level	45N (down)	Seat Level	45N (down)
			301	20.75	500	34.47		70N (up)	25N (up)	Seat Level	45N (down)
			501	34.54	900	62.05		65N (up)	20N (up)	10N (down)	55N (down)
			901	62.12	1100	75.84		60N (up)	15N (up)	20N (down)	65N (down)
Q	12.250	79.032	All Pressures			1N down per 600 psig. (413.68 barg) Max. 3N down	Seat Level	45N (down)	½ Turn Below Seat Level	81N (down)	

1. For pressures over those listed in this table, use the same ring setting as the highest listed pressures.
2. Position reference to seat level
3. Position reference to the bottom of disc holder.
4. If valve is to be tested on superheated steam, set lower ring at seat level.

## XV. Setting and Testing (Cont.)

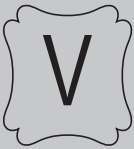

Table 11: Nameplate Symbols		
ASME Boiler and Pressure Vessel Code Section and Symbol	Set pressure tolerance (the valve must “POP” open within the range indicated below.)	Blowdown requirements
 <b>CODE SYMBOL STAMP</b> <b>ASME Section I</b>	<p>If valve set pressure is less than or equal to 70 psig (4.83 barg)  <math>\pm 2</math> psig (0.14 barg)</p> <p>If valve set pressure is 71 psig (4.90 barg) up to and including 300 psig (20.68 barg)  <math>\pm 3</math> percent of set pressure</p> <p>If valve set pressure is 301 psig (20.75 barg) up to and including 1000 psig (68.75 barg)  <math>\pm 10</math> psig (<math>\pm 0.69</math> barg)</p> <p>If valve set pressure is 1001 psig (69.02 barg) or greater  <math>\pm 1</math> percent of set pressure</p>	<p>After opening, the valve must reclose within a range of 98 percent to 96 percent. However, if the valve set pressure is 100 psig (6.89 barg) or less, the valve must reclose within a range of 2 to 4 psig (0.14 to 0.28 barg) below set pressure.</p>
 <b>CODE SYMBOL STAMP</b> <b>ASME Section VIII</b>	<p>If valve set pressure is less than or equal to 70 psig (4.83 barg)  <math>\pm 2</math> psig (<math>\pm 0.14</math> barg)</p> <p>If valve set pressure is 71 psig (4.90 barg) or greater  <math>\pm 3</math> percent of set pressure</p>	<p>After opening, the valve must reclose before the system pressure returns to normal operating pressure.</p>

Table 12: Recommended Operating Gap	
Boiler Design Pressure	Minimum Differential as a Percent of Boiler Design Pressure
Over 15 to 300 psig (1.03 to 20.68 barg)	10 percent but not less than 7 psi (0.48 barg)
Over 300 to 1000 psig (20.68 to 68.95 barg )	7 percent but not less than 30 psi (2.07 barg)
Over 1000 to 2000 psig (68.95 to 137.90 barg )	5 percent but not less than 70 psi (4.83 barg)

## XV. Setting and Testing (Cont.)



### E. Consolidated Hydroset Device/EVT Software

Periodic tests may be required for verification of valve set pressure. Both the Consolidated Hydroset Test Device and EVT software provide for this capability; however, set pressure is the only factor that can be verified. Valves should be initially set using full system pressure (as outlined in sections XIV.A. through XIV.C. of this manual). The Consolidated Hydroset Test Device or EVT software is used for subsequent checks of set pressure.

Setting safety valves by the recommended method of lifting valves under steam pressure presents a number of problems. In high-pressure conventional boilers, superheater tubes may be damaged if the turbine is not operating. Also, the expense of feed water, fuel and personnel involved is considerable.

Although these problems cannot be eliminated entirely, they can be reduced by using a hydraulic or electronic device that allows the set pressure to be checked while the system pressure remains below the set pressure.

Accuracy of results obtained by the use of either of these devices depends on several factors. First, friction must be reduced as a source of error so that, for a given pressure, the Hydroset Test Device or the EVT software repeatedly produces exactly the same lifting force. Second, gauge calibration and vibration, in the effective seating area between valves of the same size and type, will also affect accuracy. With well-calibrated gauges and valve seats in good condition, accuracy on the order of  $\pm 1$  percent of set pressure may be expected. Upon request, Baker Hughes will provide pertinent written material concerning the Consolidated Hydroset Test Device or EVT software. This material specifies all required information necessary to ensure proper usage of these devices.



### F. Hydrostatic Test Plug Removal

#### F.1 General Information

Flanged inlet safety valves shipped without hydrostatic test plugs should be removed from the boiler during hydrostatic tests and boiler nozzles blanked off to prevent possible valve damage.

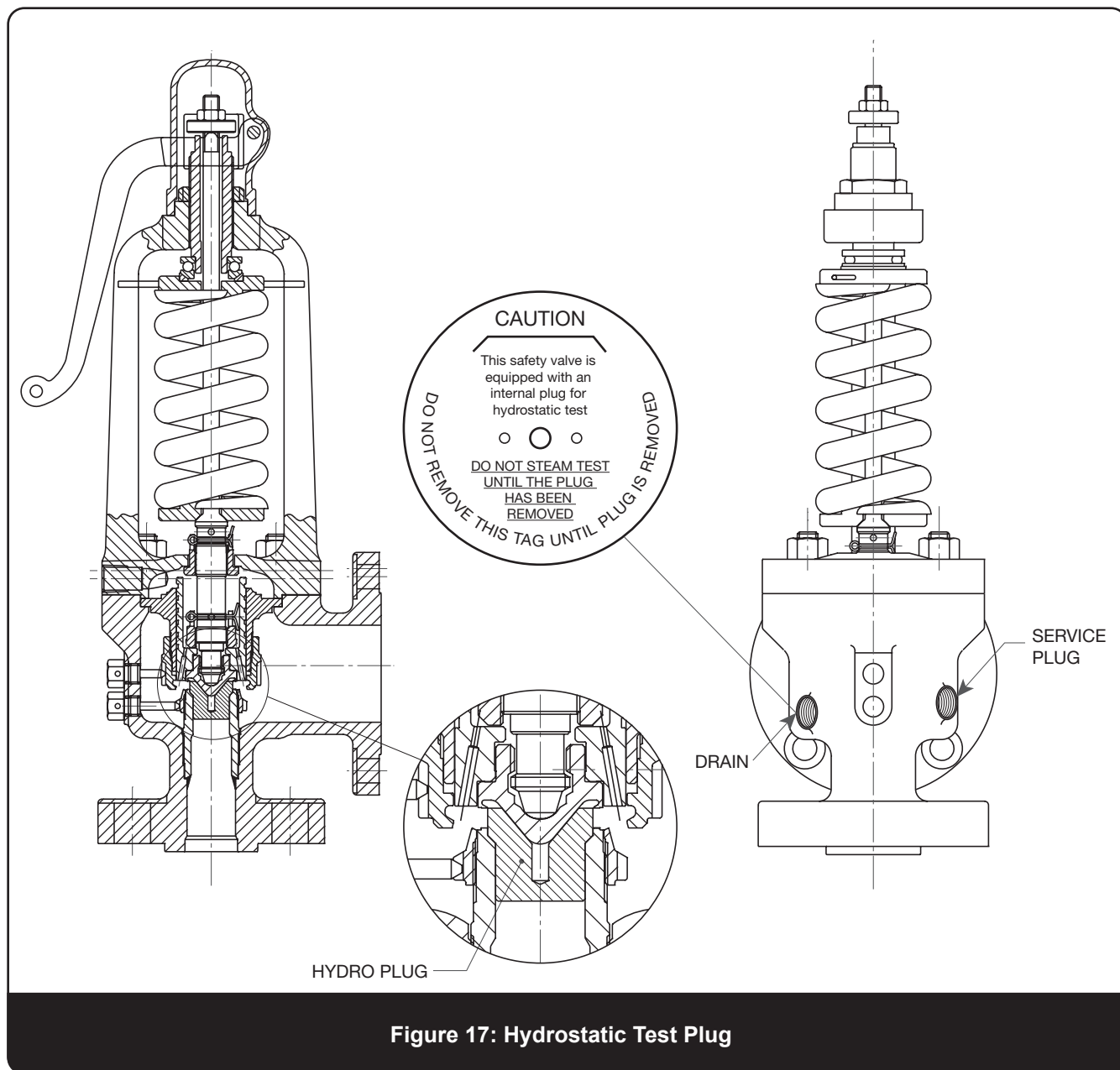
All welded inlet valves shipped are shipped with hydroplug (see Figure 18), unless the customer specifically requests otherwise. All flanged inlet valves are shipped without a hydroplug.

Valves shipped with hydroplug are identified by a red on white CAUTION TAG, that is attached to the valve by wires extending through the drain hole in the valve body (see Figure 18).

Hydrostatic test plugs must be removed prior to firing the boiler.



## XV. Setting and Testing (Cont.)



The hydrostatic plugs are placed in the bore of the valve, inside the seating surface. Their purpose is twofold. First, they effect closure at a point differing from the seating surface of the valve so that, if the valve is lifted on hydrostatic test, the seating surface is not as likely to be damaged. Second, by raising the disc of the valve off its seat and increasing spring compression, the set pressure of the valve is increased to a point where the valve will not leak at one and one-half times design boiler pressure. It is not necessary to gag the safety valves when hydrostatic plugs are used.

These plugs must, of course, be removed from the valves prior to placing the boiler in service. However, they should be retained, and reinstalled, whenever a hydrostatic test is conducted that exceeds the low set valve pressure.

Before starting to disassemble the valve, be sure that there is no steam pressure in the drum or header.

# XV. Setting and Testing (Cont.)

## F.2 Hydrostatic Test Plugs

To remove the plug, the following steps must be followed:

1. Remove the cap assembly, adjust release nut to the second hole from the top of the spindle and install cotter pin.
2. Back off the yoke stud nuts uniformly until the compression screw engages the release nut. Now remove the yoke stud nuts.
3. Remove the yoke and spring assembly (See Figure 19), from the base, being careful not to damage the disc.
4. Remove the hydrostatic test plug from the seat bushing. To do this, insert a threaded rod into the tapped hole in the plug and lift up until it is free from the bushing. Care should be taken not to damage the seat bushing. Ensure the hydro plug tag (wired through the drain) is also removed.
5. Remove the disc from the disc holder by turning clockwise until it is disengaged from the spindle threads.

**Note:** Hold the disc holder against the disc adjusting collar during this step. Otherwise the disc holder will fall from the spindle and become damaged.

6. Lap the disc and seat bushing and thoroughly clean the seats with a clean cloth.
7. Lubricate the spindle tip with “Anti-Seize” and assemble the disc and disc holder to the spindle by turning the disc until the dropout threads disengage.
8. Reassemble the yoke and spring assembly (See Figure 19) into the base, being careful not to damage the disc. Locate the yoke vent to the side of the valve. The lug on the top spring washer should be on the right side of the valve when facing the outlet.
9. Replace the yoke and the stud nuts. Tighten the stud nuts according to Table 13.
10. Remove the cotter pin from the release nut and position the release nut so that .125” (3.17 mm) of

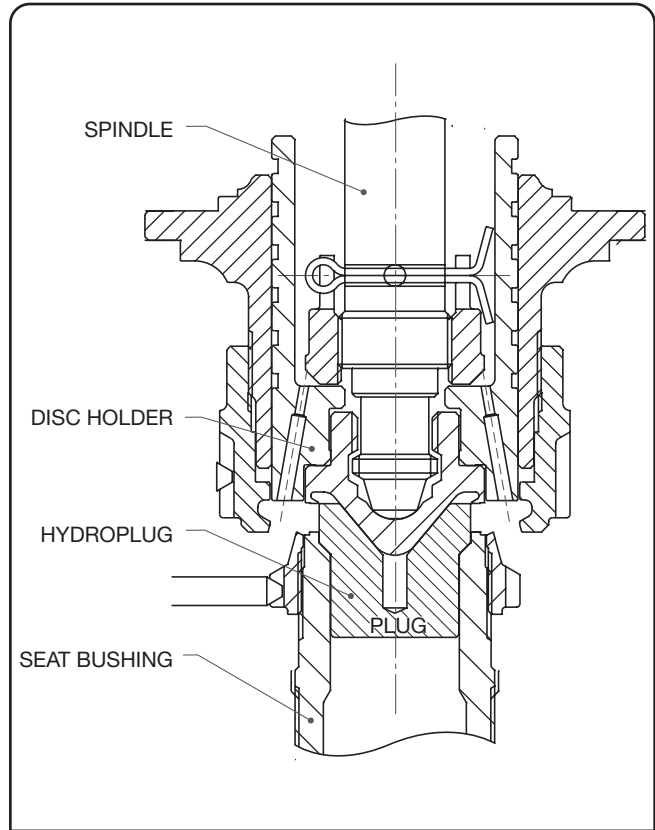


Figure 18: Hydrostatic Plug

Table 13: Yoke Nut Torque Values

Orifice Designation	Nut Torque	
	ft-lbs	Nm
1	60	81.35
2	60	81.35
3	110	149.14
5 <sup>1</sup>	170	230.49
4 <sup>1</sup>	375	508.43
6	375	508.43
7Q	375	508.43

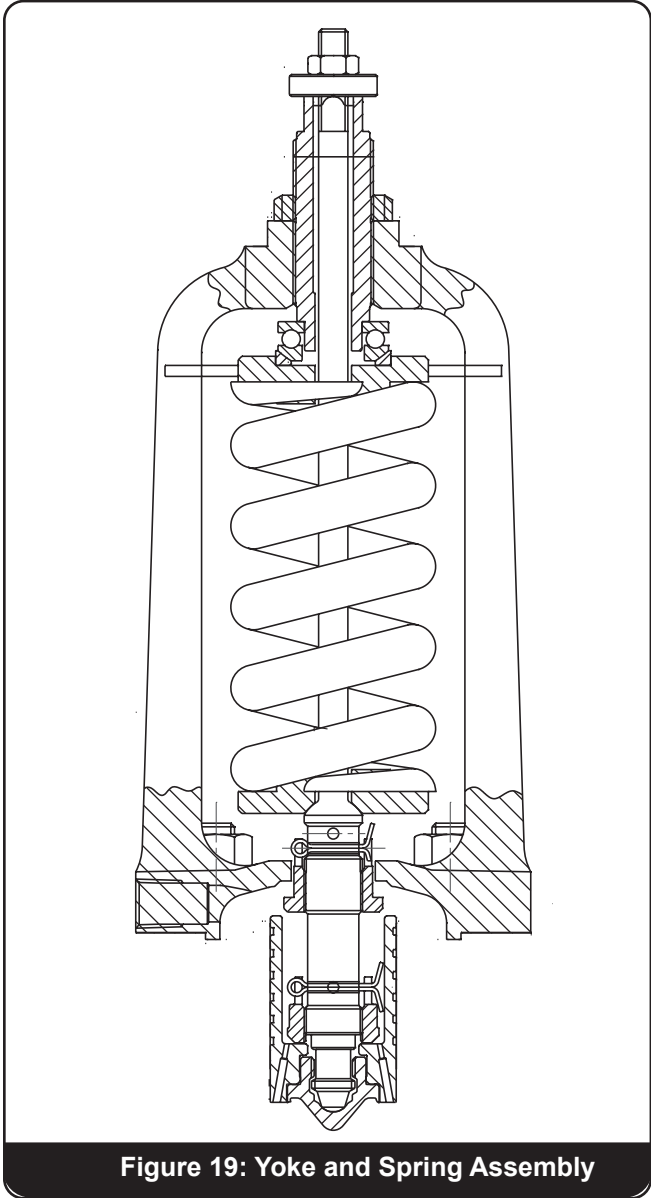
1. #5 is a smaller orifice than #4.

clearance is visible between the lifting fork and the release nut, and then install the cotter pin.

11. Install cap and lever assembly.
12. The valve is now ready for the initial field test on steam in order to check valve set point and blowdown.



## XV. Setting and Testing (Cont.)



# XVI. Troubleshooting Consolidated Series 2700 Safety Valves

Problem	Possible Cause	Corrective Action
No action. The valve does not go into full lift.	<p>A. Upper ring too high</p> <p>B. Foreign material trapped between the disc holder and the guide</p>	<p>A. Increase blowdown as outlined in Section XV.C.4. of this manual.</p> <p>B. Disassemble the valve and correct any abnormality as outlined in Section XI. of this manual. Inspect the system for cleanliness.</p>
Simmer	<p>A. Lower ring too low</p> <p>B. Steam line vibrations</p>	<p>A. Adjust per Section XV.C.2. of this manual.</p> <p>B. Investigate and correct cause.</p>
Valve leaking and/or exhibiting erratic popping actions.	<p>A. Damaged seat</p> <p>B. Part misalignment</p> <p>C. Disc has insufficient rock</p> <p>D. Discharge stack binding on outlet</p>	<p>A. Disassemble the valve, lap seating surfaces, replace the disc if required, as outlined in Section XIX.B. of this manual.</p> <p>B. Disassemble the valve, inspect contact area of disc and nozzle, lower spring washer or spindle, compression screw, spindle straightness, etc.</p> <p>C. Disassemble the valve and check the disc rock per Section XIX.E. of this manual.</p> <p>D. Correct as required.</p>
Hangup, or the valve does not close completely.	<p>A. Lower ring too high</p> <p>B. Foreign material</p>	<p>A. Move the lower ring to the left one notch per adjustment and test. Repeat until problem is eliminated.</p> <p>B. Disassemble the valve and correct any abnormal condition. Inspect system for cleanliness.</p>
Excessive blowdown	<p>A. Upper ring too low</p> <p>B. Exhaust pressure too high</p>	<p>A. Decrease blowdown as outlined in Section XV.C.3. of this manual.</p> <p>B. Decrease exhaust pressure by increasing discharge stack area.</p>
Chatter or short blowdown	<p>A. Upper ring too high</p> <p>B. Inlet piping pressure drop too high</p> <p>C. Yoke vent is plugged</p>	<p>A. Lower upper ring.</p> <p>B. Reduce inlet pressure drop to less than one-half of required valve blowdown by redesigning inlet piping.</p> <p>C. Clear the yoke vent.</p>

# XVII. Maintenance Tools and Supplies

## Lapping Tools

The following tools are required for proper maintenance of Consolidated Series 2700 Safety Valve seats.

### Ring Lap

The ring lap is used for lapping the nozzle and disc seats.

Ring Laps <sup>1</sup>	
Valve Orifice <sup>2</sup>	Lap Part No.
1	1672806
2	1672807
3	1672808
5	1672810
4	1672809
6	1672811
Q	1672812

1. One set of two ring laps is recommended for each orifice valve in service, to assure ample flat laps are available at all times.
2. Valve orifice number is third digit of valve type number, e.g., a 2737A valve has a No.3 orifice.

### Lapping Plate

The lapping plate is used for reconditioning the ring laps. Only one 11-inch (279.40 mm) diameter plate is required for all sizes of ring laps.

Resurfacing plate – 11-inch (279.40 mm) diameter.  
(Part No. 0439004)

### Lapping Compound

Lapping compound is used as a cutting medium for lapping and polishing the seats and bearing surfaces in Consolidated Series 2700 Safety Valves.

### Gags

#### Lubricant

Brand	Grand	Grit	Lapping Function	Size Container	Part No.
Clover	1A	320	General	4 oz.	199-3
Clover	C	220	Coarse	4 oz.	199-2
Kwik-Ak-Shun	-	1000	Polishing	1 lb.	199-11
				2 oz.	199-12

## Wrench Sizes

Valve Orifice	Gag Part No.
1	VJ5920
2	VJ5920
3	4363001
5	4363001
4	4363001
6	4363001
Q	4363001

Location	Lubricant
Bearing Points	Fel-Pro Nickel Ease
1. Spindle/Disc	
2. Compression Screw/ Top Spring Washer	
3. Spindle/Bottom Spring Washer	
All Threads	
All Nut Contact Faces	

2700 Orifice	Yoke Stud Size		Wrench Size
	in.	mm	in.
#1	.625 - 11 thd.	15.88 - 11 thd.	1-1/16
#2	.625 - 11 thd.	15.88 - 11 thd.	1-1/16
#3	.750 - 10 thd.	19.05 - 10 thd.	1-1/4
#5	.875 - 9 thd.	22.23 - 9 thd.	1-7/16
#4	.875 - 9 thd.	22.23 - 9 thd.	1-7/16
#6	1.125 - 7 thd.	28.58 - 7 thd.	1-13/16
#Q	1.125 - 7 thd.	28.58 - 7 thd.	1-13/16

# XVIII. Replacement Parts Planning

## A. Basic Guidelines

The basic objectives in formulating a replacement parts plan are:

- PROMPT AVAILABILITY
- MINIMUM DOWNTIME
- SENSIBLE COST
- SOURCE CONTROL

Consult the Recommended Spare Parts list to define the parts to be included in the inventory plan.

Select parts and specify quantities.

Guidelines for establishing meaningful inventory levels:

Parts Classification		
Part Classification	Replacement Frequency	Predicted Availability
CLASS I	Most Frequent	70 percent
CLASS II	Less Frequent But Critical	85 percent
CLASS III	Seldom Replaced	95 percent
CLASS IV	Hardware	99 percent
CLASS V	Practically Never Replaced	100 percent

## B. Identification and Ordering Essentials

### Explanation of Nameplate

The valve nameplate contains several necessary pieces of information necessary to the proper operation of the valve. Included are:

- Valve Type
- ASME, and National Board of Boiler and Pressure Vessel Inspectors Approval Stamp
- Serial Number
- Set Pressure or Opening Pressure

- Disc Lift
- Operating Temperature
- Capacity

The Consolidated 2700 Series Safety Valve nameplate is located on the base of the valve, to the left of the Adjusting Ring Pins. If the nameplate is missing, a duplicate nameplate can be supplied by Baker Hughes. To order the replacement nameplate, call the Baker Hughes field service supervisor, with the valve serial number as stamped on the top of the discharge flange of the valve.

Table 14

Standard Valve Connection					Pressure Class		Temperature Class	
Inlet Size		Orifice	Area		Designation	Class	Designation	Range
in.	mm		in <sup>2</sup>	cm <sup>2</sup>				
1.5	38.10	1	0.994	6.41	5	600# ANSI	B	TO 750°F (398.89 °C)
2.0	50.80	2	1.431	9.23	6	900# ANSI	D	TO 1050°F (565.56 °C)
2.5	63.50	3	2.545	16.42	7	1500# ANSI		
3.0	76.20	5	3.341	21.55				
3.0	76.20	4	3.976	25.65				
4.0	101.60	6	7.070	45.61				
6.0	152.40	7Q	12.250	79.03				

# XVIII. Replacement Parts Planning (Cont.)

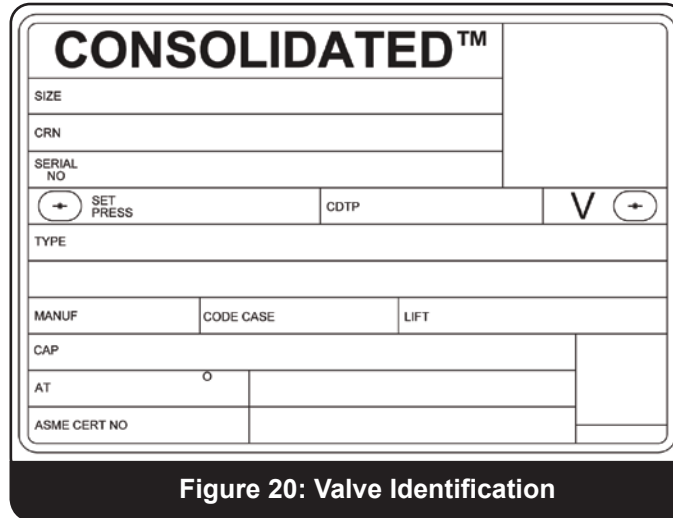
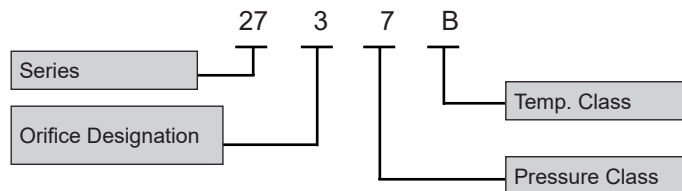


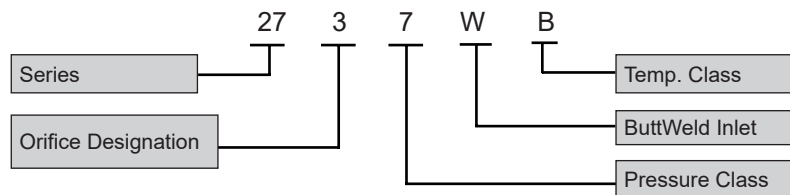
Figure 20: Valve Identification

## VALVE TYPE CODING

Flanged Inlet:



Buttweld Inlet:



# XIX. Consolidated Genuine Parts

The next time replacement parts are needed, keep these points in mind:

- Baker Hughes designed the parts
- Baker Hughes guarantees the parts
- Consolidated valve products have been in use since 1879
- Baker Hughes has worldwide service
- Baker Hughes has fast response availability for parts

# XX. Manufacturer's Service, Repair and Training Program

## A. Field Service

Baker Hughes maintains one of the largest and most competent network of field service technicians in the industry. Service technicians are located at strategic points throughout the United States to respond to customer's requirements for service, even in the event of extreme off-hour emergency situations. Each service technician is trained and experienced in servicing Consolidated products.

It is highly recommended that the professional expertise of a field service technician be employed to make final field adjustments during the initial setting of all Consolidated valves.

For further information, please contact your local Green Tag Center.

## B. Repair Facilities

The Consolidated repair department, in conjunction with the manufacturing facilities, are equipped to perform specialized repairs and product modifications, e.g. bushing replacements, hydroset calibrations, electromatic relief valve repairs, code welding, pilot replacement, etc.

For further information, please contact your local Green Tag Center.

## C. Maintenance Training

Rising costs of maintenance and repair in the utility and process industries indicate the need for trained maintenance personnel. Baker Hughes conducts service seminars that can help your maintenance and engineering personnel to reduce these costs.

Seminars, conducted either at your site, or at the Baker Hughes Consolidated training facility, provide participants with an introduction to the basics of preventative maintenance. These seminars help to reduce downtime, reduce unplanned repairs, and increase valve safety. While they do not make "instant" experts, they do provide the participants with "Hands On" experience with Consolidated valves. The seminar also includes valve terminology and nomenclature, component inspection, troubleshooting, setting and testing, with emphasis on the ASME Boiler and Pressure Vessel Code.

For further information, please contact your local Green Tag Center.





# Direct Sales Office Locations

**Australia**

Brisbane  
Phone: +61-7-3001-4319

Perth  
Phone: +61-8-6595-7018

Melbourne  
Phone: +61-3-8807-6002

**Brazil**

Phone: +55-19-2104-6900

**China**

Phone: +86-10-5738-8888

**France**

Courbevoie  
Phone: +33-1-4904-9000

**India**

Mumbai  
Phone: +91-22-8354790

New Delhi

Phone: +91-11-2-6164175

**Italy**

Phone: +39-081-7892-111

**Japan**

Tokyo  
Phone: +81-03-6871-9008

**Korea**

Phone: +82-2-2274-0748

**Malaysia**

Phone: +60-3-2161-03228

**Mexico**

Phone: +52-55-3640-5060

**Russia**

Veliky Novgorod  
Phone: +7-8162-55-7898

Moscow

Phone: +7-495-585-1276

**Saudi Arabia**

Phone: +966-3-341-0278

**Singapore**

Phone: +65-6861-6100

**South Africa**

Phone: +27-11-452-1550

**South & Central  
America and the Caribbean**

Phone: +55-12-2134-1201

**Spain**

Phone: +34-935-877-605

**United Arab Emirates**

Phone: +971-4-8991-777

**United Kingdom**

Phone: +44-7919-382-156

**United States**

Houston, Texas  
Phone: +1-713-966-3600

**Find the nearest local Channel Partner in your area:**

[valves.bakerhughes.com/contact-us](http://valves.bakerhughes.com/contact-us)

## Tech Field Support & Warranty:

Phone: +1-866-827-5378

[valvesupport@bakerhughes.com](mailto:valvesupport@bakerhughes.com)

[valves.bakerhughes.com](http://valves.bakerhughes.com)

Copyright 2020 Baker Hughes Company. All rights reserved. Baker Hughes provides this information on an "as is" basis for general information purposes. Baker Hughes does not make any representation as to the accuracy or completeness of the information and makes no warranties of any kind, specific, implied or oral, to the fullest extent permissible by law, including those of merchantability and fitness for a particular purpose or use. Baker Hughes hereby disclaims any and all liability for any direct, indirect, consequential or special damages, claims for lost profits, or third party claims arising from the use of the information, whether a claim is asserted in contract, tort, or otherwise. Baker Hughes reserves the right to make changes in specifications and features shown herein, or discontinue the product described at any time without notice or obligation. Contact your Baker Hughes representative for the most current information. The Baker Hughes logo, Consolidated, EVT, Thermodisc, Thermoflex, Hydroset and Green Tag are trademarks of Baker Hughes Company. Other company names and product names used in this document are the registered trademarks or trademarks of their respective owners.

**Baker Hughes** 

[bakerhughes.com](http://bakerhughes.com)