

Masoneilan™ Models 78-4 & 78-40

Air Filter Regulators



Model 78 Air Filter Regulators

Product Description

The 78 Series pressure regulators are compact, lightweight, high-performance pressure reducing valves. They are used primarily for supplying a stable source of air to process control equipment such as current to pneumatic transducers and control valve positioners.

Principle of Operation

Rotation of the pressure setting knob compresses the range spring against the diaphragm plate, opening the main supply valve. As the outlet pressure increases, it flows through the aspirator and acts on the lower side of the diaphragm, causing it to move upward until it balances the force of the range spring. This balanced condition maintains constant output pressure, with changes in supply pressure and output load. If the output pressure rises above the set pressure, the relief valve opens and bleeds the excess pressure to atmosphere.

Should dirt or other foreign substance lodge under the inlet valve seat resulting in increased outlet pressure, the additional pressure exerted on the diaphragm will cause the relief valve to open, relieving the excess air through the relief valve seat and spring case vent to atmosphere.

Features and Benefits

- Excellent pressure regulation.
- Lock screw ensures output pressure remains at desired value.
- Small size and light weight allows the regulator to be nipple mounted in most installations, eliminating the need for a mounting bracket. A mounting bracket is available if required.
- Two pressure gauge ports allow installation of gauge on either side for flexibility when mounting.
- Soft seat plug on main valve provides positive shutoff.
- Sintered polyethylene filters provide 5 micron filtration rating.
- Stainless steel drain.
- Corrosion resistant finish and stainless assembly hardware permit use in corrosive environments.

Numbering System

Model No.	Pressure Range	Description
78-4	5-40 psi (35-280 kPa), (0.35-2.8 bar)	Air Loading with Relief and Filter
78-40	5-100 psi (35-700 kPa), (0.35-7 bar)	Air Loading with Relief and Filter

General Data

Inlet Pressure Rating	210 psi (1.5 Mpa, 15 bar) maximum
Pressure Set Range	5-4 psi (35-280 kPa, 0.35-2.8 bar) 5-100 psi (35-700 kPa, 0.35-7 bar)
Connection	1/4 NPT or Rc
Rated C _v	0.25
Filter Element	Sintered Porous Polyethylene (5μ)
Ambient Temperature Range	-40°C to +83°C (-40°F to +182°F)
Low Temperature Range	-50°C to +60°C (-58°F to 140°F)
High Temperature Range	0°C to 100°C (32°F to 212°F)
Air Consumption	0.004 scfm (100 sccm)
Weight	1 lb. (0.45 kg)
Materials of Construction	See the corresponding list below

Cut-away View

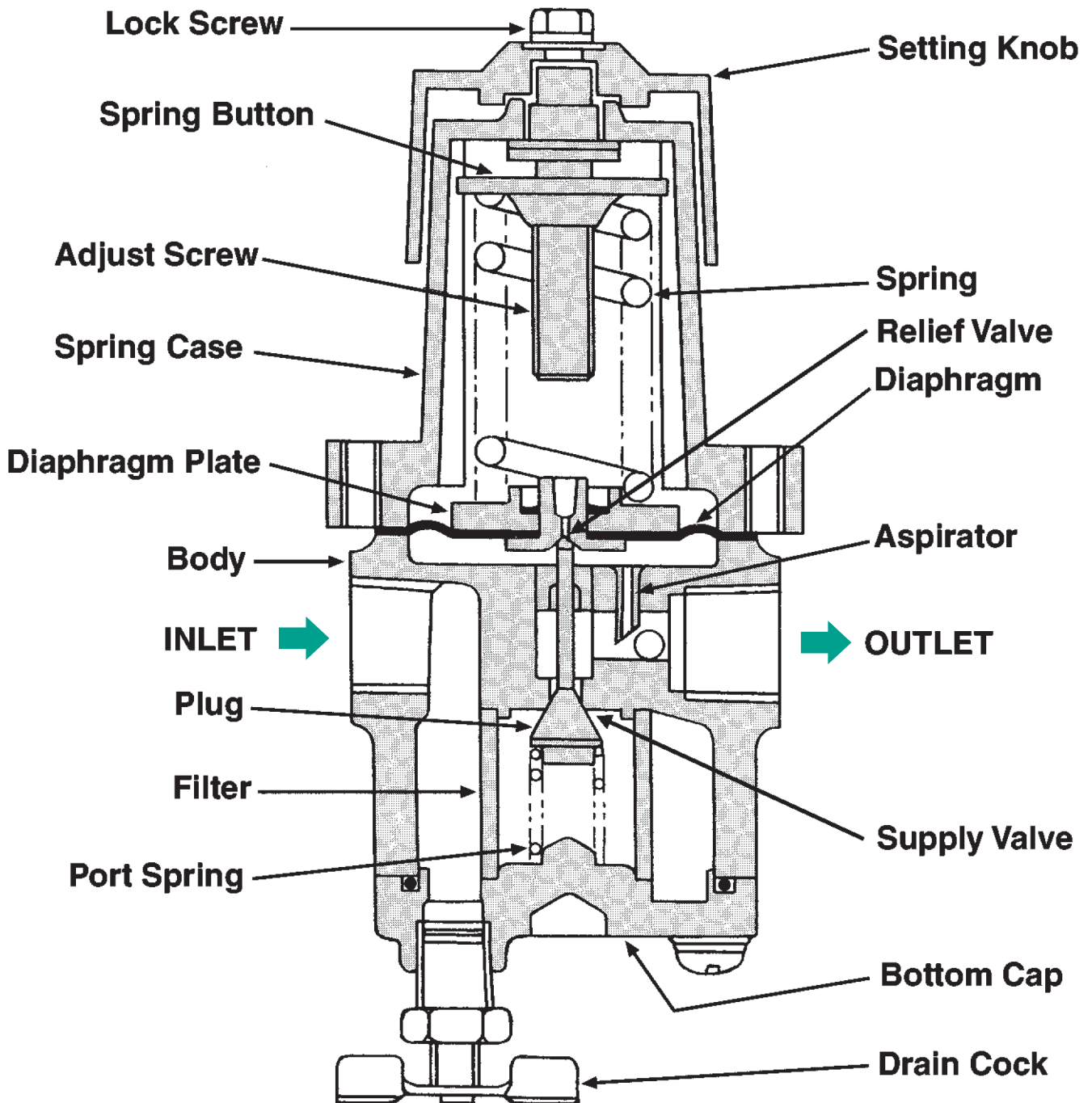


Figure 1

Materials of Construction

No.	Part	Standard Material
1	Body	Aluminum Die Casting
2	Spring Casting	Aluminum Die Casting
3	Bottom Cap	Aluminum Die Casting
4	Setting Knob	VALOX™ 420
5	Lock Screw	Stainless Steel
6	Adjusting Screw	Stainless Steel
7	Spacer	VALOX 420
8	Spring Button	Zn-Cr Plated Carbon Steel
9	Spring	Coated Spring Steel
10	Diaphragm ¹	NBR
15	Plug Guide	VALOX 420
16 •	Plug	Neoprene/416 Stainless Steel
17 •	Filter	Sintered Polyethylene
18 •	Port Spring	Stainless Steel
19 •	O-Ring	NBR
-		
21	Drain Cock	Stainless Steel
22	Screw	Stainless Steel
23	Pipe Plug	Chrome Molybdenum Steel
24	Aspirator	VALOX 420
25	Nameplate	Aluminum

• Recommended Spare Parts

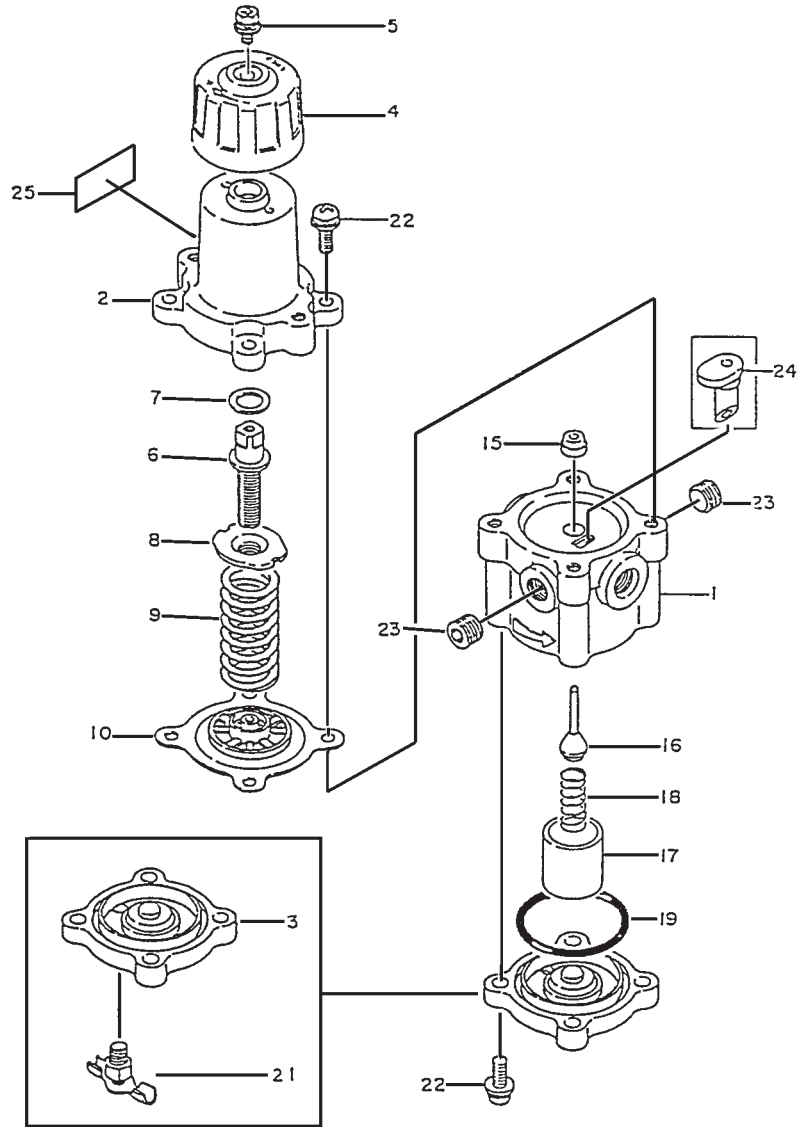


Figure 2

Weights

Ounces	Grams
14	400

Dimensions

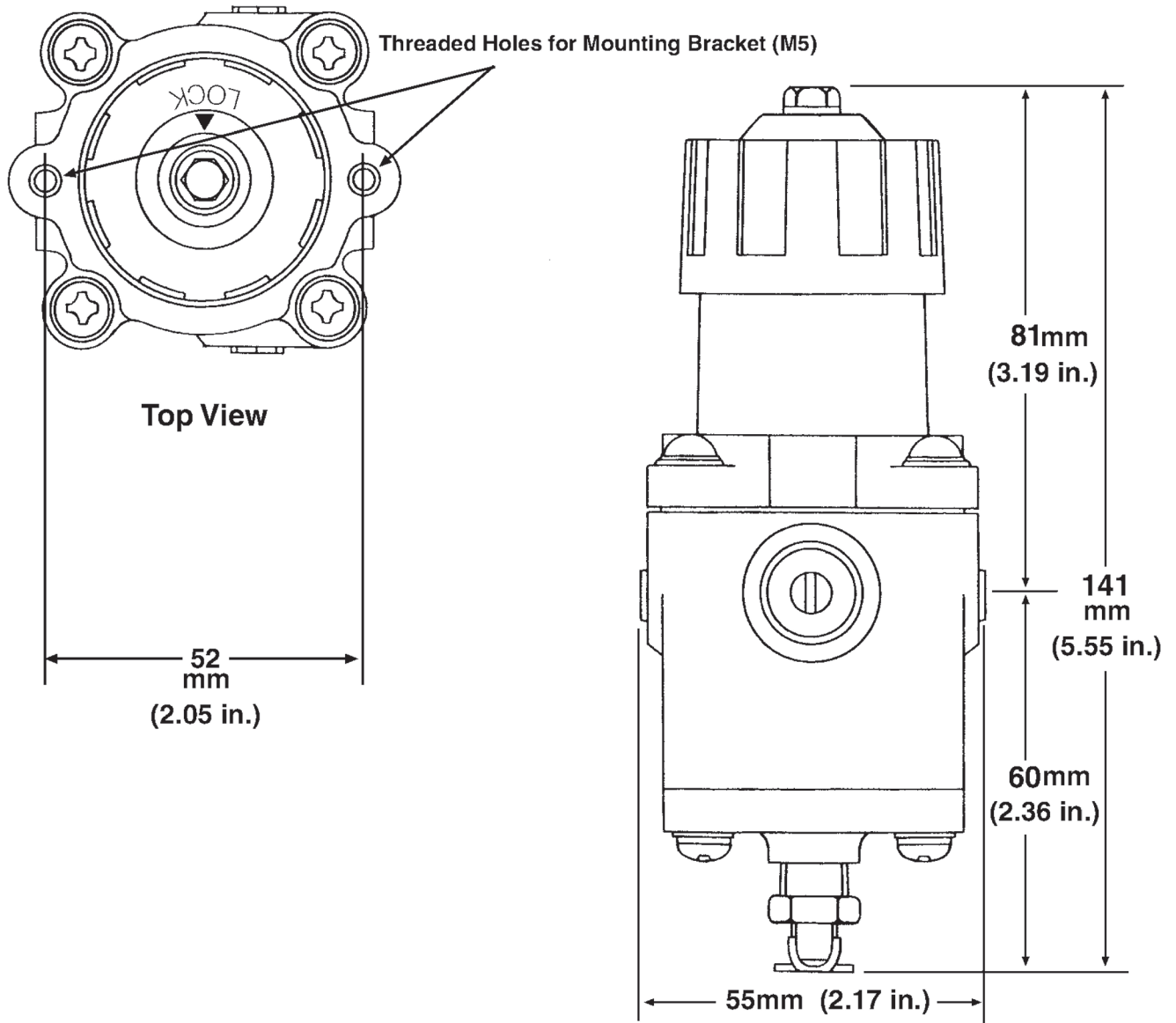


Figure 3

Direct Sales Office Locations

Australia

Brisbane
Phone: +61-7-3001-4319

Perth
Phone: +61-8-6595-7018

Melbourne
Phone: +61-3-8807-6002

Brazil

Phone: +55-19-2104-6900

China

Phone: +86-10-5738-8888

France

Courbevoie
Phone: +33-1-4904-9000

India

Mumbai
Phone: +91-22-8354790

New Delhi

Phone: +91-11-2-6164175

Italy

Phone: +39-081-7892-111

Japan

Tokyo
Phone: +81-03-6871-9008

Korea

Phone: +82-2-2274-0748

Malaysia

Phone: +60-3-2161-03228

Mexico

Phone: +52-55-3640-5060

Russia

Veliky Novgorod
Phone: +7-8162-55-7898

Moscow

Phone: +7-495-585-1276

Saudi Arabia

Phone: +966-3-341-0278

Singapore

Phone: +65-6861-6100

South Africa

Phone: +27-11-452-1550

South & Central America and the Caribbean

Phone: +55-12-2134-1201

Spain

Phone: +34-935-877-605

United Arab Emirates

Phone: +971-4-8991-777

United Kingdom

Phone: +44-7919-382-156

United States

Houston, Texas

Phone: +1-713-966-3600

Find the nearest local Channel Partner in your area:
valves.bakerhughes.com/contact-us

Tech Field Support & Warranty:

Phone: +1-866-827-5378
valvesupport@bakerhughes.com

valves.bakerhughes.com

Copyright 2021 Baker Hughes Company. All rights reserved. Baker Hughes provides this information on an "as is" basis for general information purposes. Baker Hughes does not make any representation as to the accuracy or completeness of the information and makes no warranties of any kind, specific, implied or oral, to the fullest extent permissible by law, including those of merchantability and fitness for a particular purpose or use. Baker Hughes hereby disclaims any and all liability for any direct, indirect, consequential or special damages, claims for lost profits, or third party claims arising from the use of the information, whether a claim is asserted in contract, tort, or otherwise. Baker Hughes reserves the right to make changes in specifications and features shown herein, or discontinue the product described at any time without notice or obligation. Contact your Baker Hughes representative for the most current information. The Baker Hughes logo and Masoneilan are trademarks of Baker Hughes Company. Other company names and product names used in this document are the registered trademarks or trademarks of their respective owners.